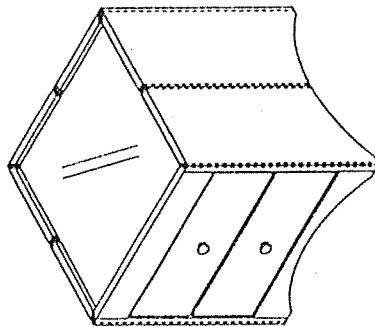


## CAUTION :

DO NOT UNPACK AND UNWRAP THE GOODS USING " KNIFE "

MODEL : BED SIDE TABLE 2



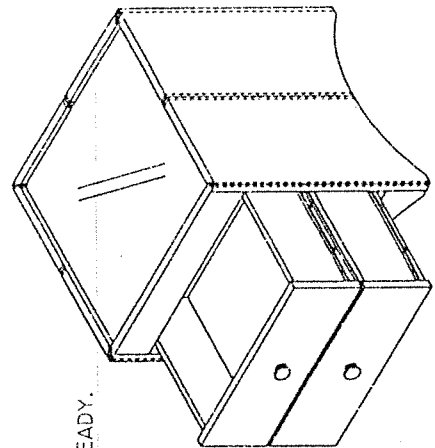
## Assembly Instructions

1 person required

Please retain this leaflet for future reference.

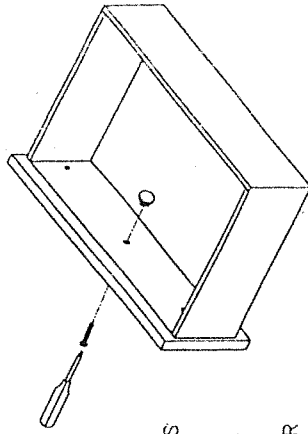
## FINAL TOUCH

YOUR BEDSIDE TABLE IS NOW READY. LOOK AFTER IT WELL & ENJOY.

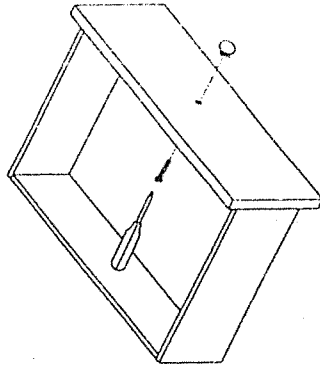


## I-EQUIPMENT CHECK

CAREFULLY UNPACKED ALL THE ITEMS FROM THE CARTON BOX. THEN CAREFULLY UNWRAPPED THE ITEM.



- (A) PULL THE DRAWER OUT. THEN LOOSEN THE SCREW WHICH HOLDS THE HANDLE. THE HANDLE IS TEMPORARILY ASSEMBLED INSIDE THE DRAWER IN ORDER TO MAKE SURE THAT IT IS NOT BROKEN OR DAMAGED.



- (B) FIX THE HANDLE ON THE FRONT OF THE DRAWER. USE THE SCREW PROVIDED & TIGHTEN USING THE SCREWDRIVER PROVIDED AS SHOWN.

## PLEASE HEED THE FOLLOWING INSTRUCTIONS.

1. DO NOT USE KNIFE TO UNPACK AND UNWRAP THE GOODS
2. DO NOT DRAG THE BED SIDE TABLE ACROSS THE FLOOR WHEN POSITIONING OR MOVING WHILST CLEANING.
3. DO NOT DROP ANY HEAVY ITEMS DIRECTLY ON THE TOP OF THE GLASS.
4. KEEP OUT OF DIRECT SUNLIGHT AND DAMP CONDITIONS IN ORDER TO KEEP THE LEATHER AND CONSTRUCTION IN GOOD CONDITION.
5. WIFE CLEAN WITH A DAMP CLOTH.
6. TIGHTEN ALL SCREW AT REGULAR INTERVALS. TO AVOID DAMAGE TO THE FRAME.
7. ENJOY YOUR PRODUCT.