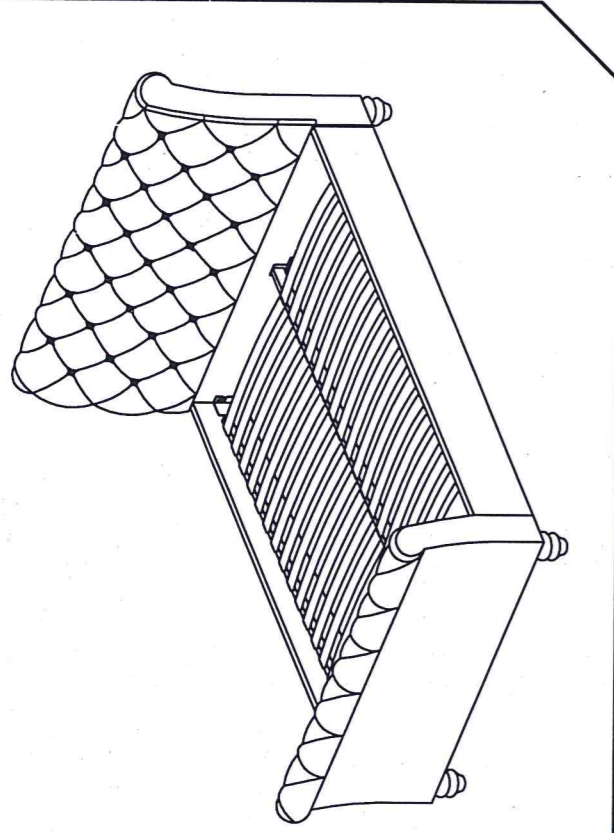


MODEL :HEPBURN



HEPBURN BED

4FT6, 5FT AND 6FT
ASSEMBLY INSTRUCTIONS
2 PEOPLE REQUIRED

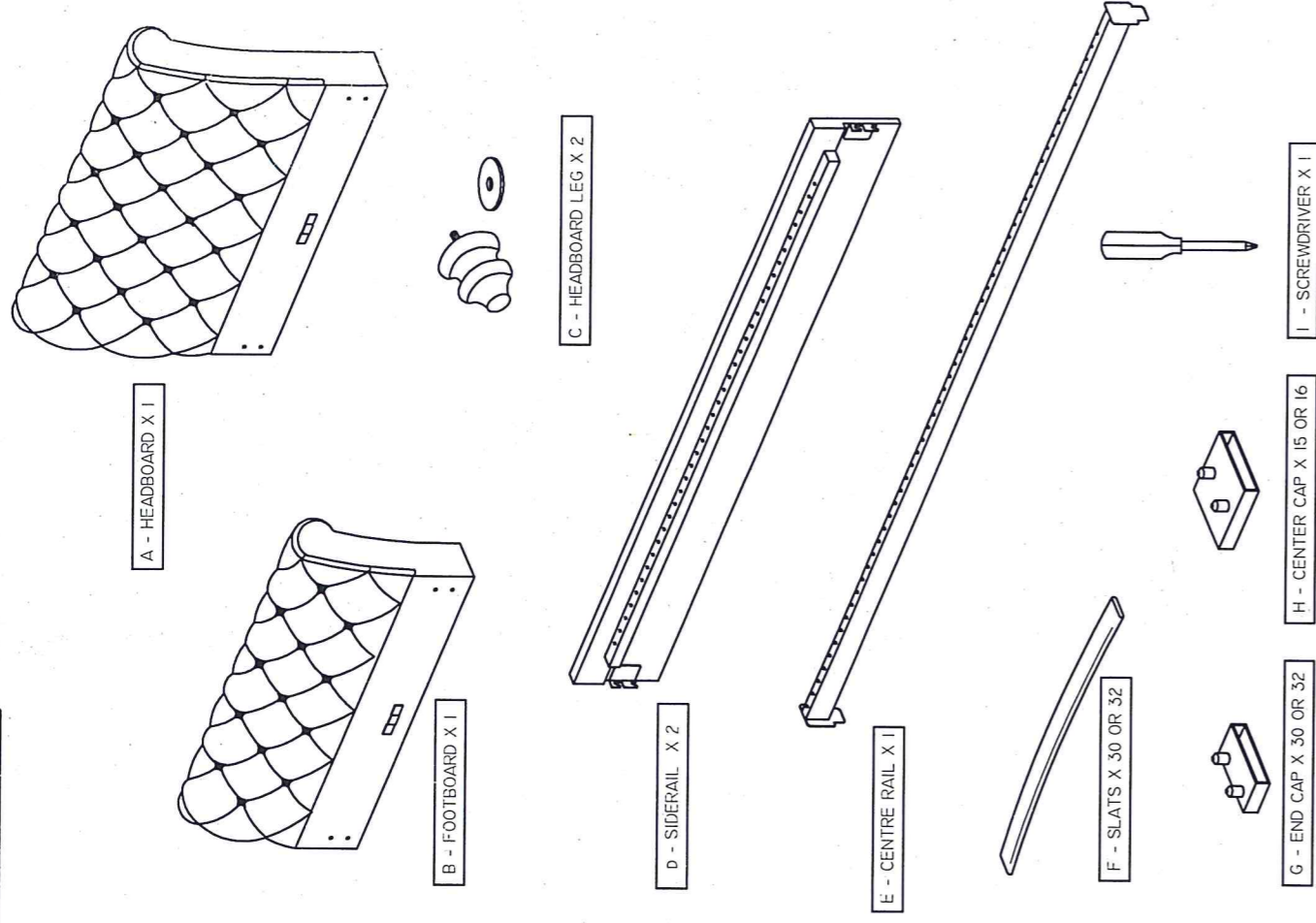
PLEASE TAKE TIME TO READ THESE INSTRUCTIONS AND FAMILIARISE YOURSELF WITH ALL THE COMPONENTS THAT MAKE UP YOUR NEW BEDSTEAD.

PLEASE RETAIN THIS LEAFLET FOR FUTURE REFERENCE.

WARNING !!

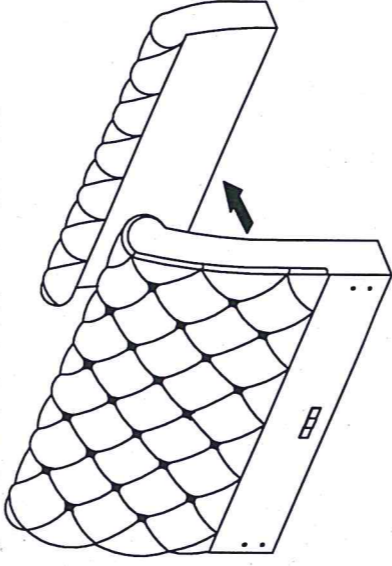
THIS PRODUCT CONTAINS SMALL PARTS AND PACKAGING THAT SHOULD BE KEPT AWAY AND OUT OF REACH FROM ALL CHILDREN.

EQUIPMENT CHECK



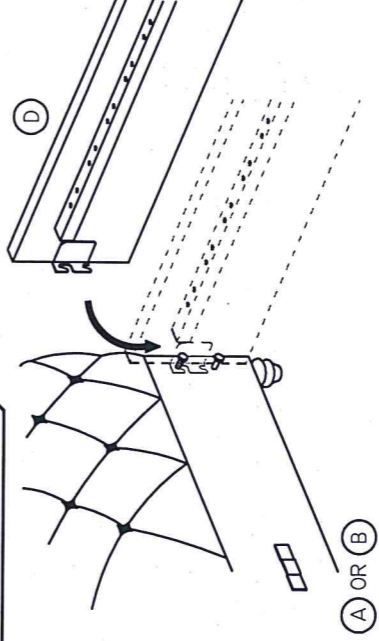
1 - REMOVE THE FOOTBOARD FROM HEADBOARD

CAREFULLY UNPACK ALL ITEMS FROM THE CARTONS. REMOVE THE FOOTBOARD FROM THE BACK OF THE HEADBOARD CAREFULLY.



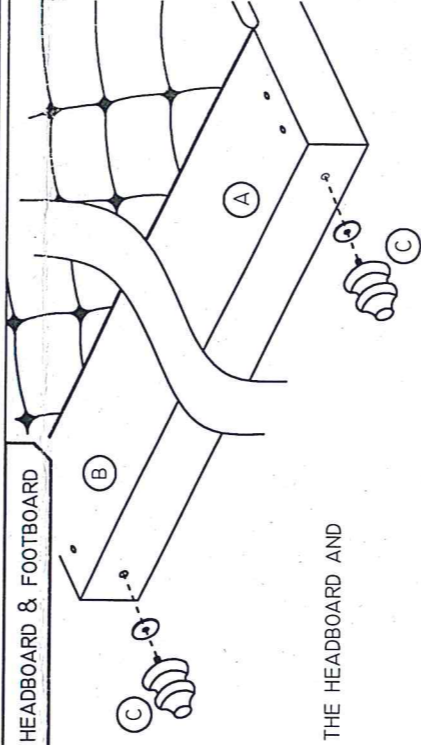
3 - ATTACHING SIDE RAIL TO HEADBOARD & FOOTBOARD

HOOK SIDE RAIL BRACKET OVER BOLTS AND SCREW BOLTS TIGHTLY IN WITH THE SCREWDRIVER PROVIDED.
NOTE : TO INCREASE THE LONGEVITY, TIGHTEN BOLTS REGULARLY.



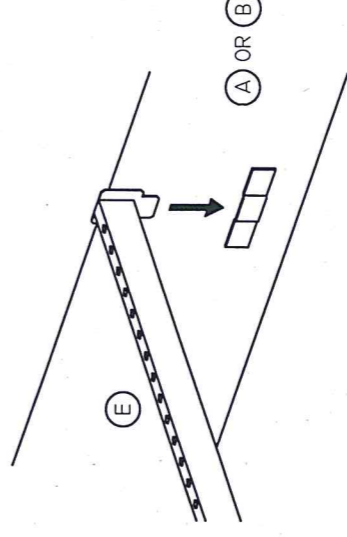
2 - ATTACHING FOOT TO HEADBOARD & FOOTBOARD

ATTACH THE LEG INTO THE HEADBOARD AND FOOTBOARD AS SHOWN.



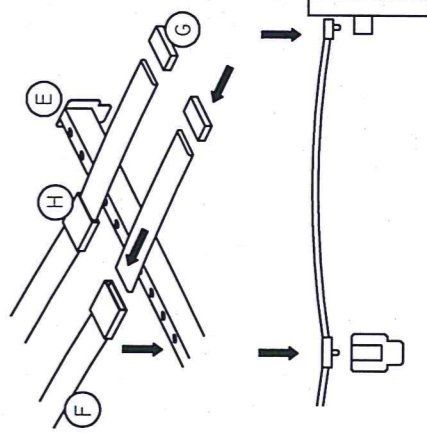
4 - ATTACHING CENTRE RAIL TO HEADBOARD & FOOTBOARD

LOWER THE CENTRE RAIL INTO POSITION, PUSH THE CENTRE RAIL FULLY DOWN INTO HEADBOARD AND FOOTBOARD AS SHOWN.



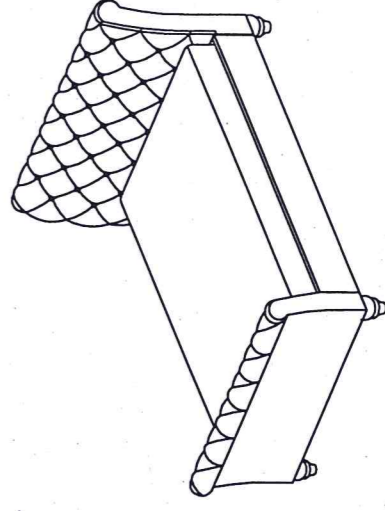
5 - ATTACHING SLAT TO THE BED

ASSEMBLE THE SLAT AS SHOWN, INSERT THE CENTRE CAP ONTO THE SLAT ENSURING THE POSITION OF THE SLAT ARCH FACES UPWARDS. PUSH THE CENTRE CAP AND SLAT INTO THE CENTRE RAIL. NOW PUSH THE END CAP ONTO THE SLAT AND PUSH THIS INTO SIDE RAIL.



Please heed the following instructions.

1. KEEP AWAY FROM DIRECT SUNLIGHT TO AVOID DISCOLOURATION.
2. DO NOT DRAG THE BED ACROSS THE FLOOR WHEN POSITIONING OR MOVING WHILST CLEANING.
3. WIPE CLEAN WITH A DAMP CLOTH.
4. TIGHTEN ALL SCREW AT REGULAR INTERVALS, TO AVOID DAMAGE TO THE FRAME.
5. ENJOY YOUR PRODUCT.



YOUR BED IS NOW
READY FOR ITS MATTRESS.