

# DESCRIPTION: SOMMER IMAX MEDIA TV BED

**1 HOURS**

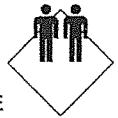
APPROXIMATE ASSEMBLY TIME

2 PERSON ASSEMBLY



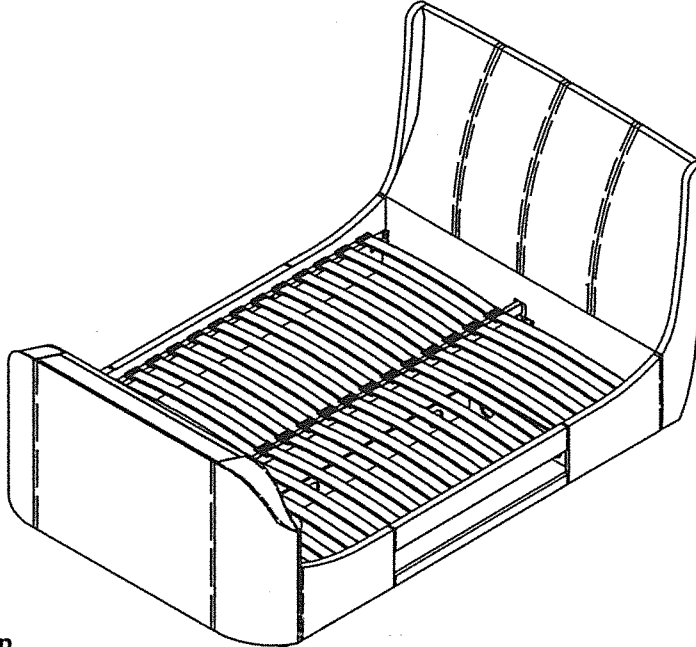
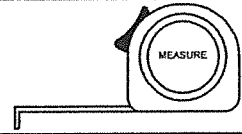
FLOOR AREA  
2.0m X 2.7m

REQUIRED ASSEMBLY SPACE



## ASSEMBLY INSTRUCTIONS

REQUIRED ASSEMBLY TOOLS



### Important Information

- We suggest you spend a short time reading through this leaflet and then follow the simple step-by-step instructions.
- Carefully check that you have all the parts before beginning assembly.
- Keep fittings out of children's reach and keep children well away from construction area.
- We suggest you retain these instructions for future reference.

### Product Information

- Media TV bed (Woofer/AMP + Hub)
- Upholstered Bed. Conforms to BS 1725 & BS 5852.
- TV Lift system has a maximum load capacity of 80lbs ( 37kg )
- Compatible with slimline LED televisions with a screen size of 20" to 40".
- Maximum T.V dimensions D55mm x W950mm x H580mm (WITHOUT STAND)

### Care Instructions

- Avoid exposing the furniture to excessive heat or direct sunlight as this can cause cracking and deterioration of the color.
- Periodically check & re-tighten any fastener.
- Periodically dust lightly with a clean soft cloth.
- Do not use silicone based furniture polish.
- Any spills should be removed immediately with a soft damp cloth.
- TAKE CARE WHEN MOVING THE FURNITURE AND NEVER DRAG THE PIECES ACROSS THE FLOOR, AS THIS WILL CAUSE DAMAGE TO THE JOINTS.



Comforms To : CE\_LIFT\_UK For 3001 TV Lift Standard in UK (LVD + EMC):

-EN55014-1; EN61000-3-2; EN 61000-3-3; EN55014-2; EN62233; EN60335-1

CE\_REMOTE\_UK For Wireless Remote Standard in UK (R&TTE):

-EN300 220-1; EN300 220-2; EN 60950-1; ENEN301489-1; EN301489-3; EN62479

CE\_MEDIA SYSTEM\_UK For Woofer/AMP (LVD + EMC):

-EN55013; EN61000-3-2; EN61000-3-3; EN55020; EN60065



Comforms To : C-TICK\_LIFT\_AU For 3001 TV Lift Standard in AU:

-AS/NZS CISPR 14.1:2013

C-TICK\_REMOTE\_AU For Wireless Remote Standard in AU:

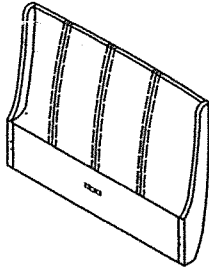
-AS/NZS 4268:2012

C-TICK\_MEDIA SYSTEM\_AU For Woofer/AMP Standard in AU:

-AS/NZS CISPR 13:2012

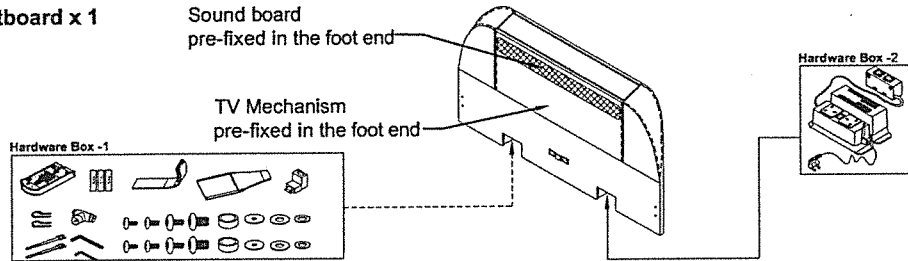
## Components of Carton A

(A) Headboard x 1



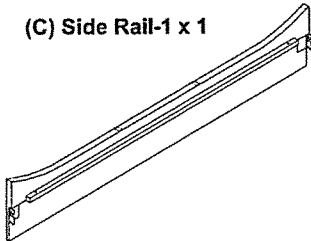
## Component of Carton B

(B) Footboard x 1

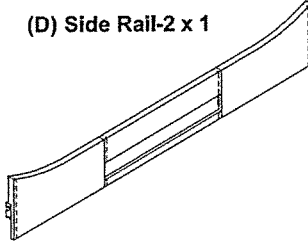


## Components of Carton C

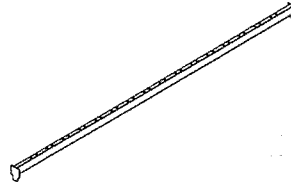
(C) Side Rail-1 x 1



(D) Side Rail-2 x 1

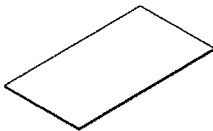


(E) Center Rail x 1

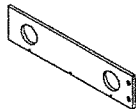


## Components of Carton D

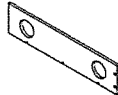
(F) DVD/Media  
Compartment  
Base Panel x 1



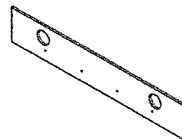
(G) DVD/Media  
Compartment Side  
Panel (Left) x 1



(H) DVD/Media  
Compartment Side  
Panel (Right) x 1



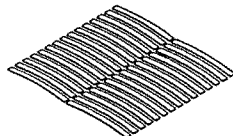
(I) DVD/Media  
Compartment  
Rear Panel x 1



Hardware  
Bag

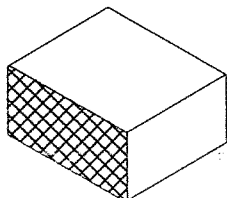
## Components of Carton E

(J) Slat  
x 30 (Double)  
x 32 (Queen & King)

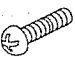
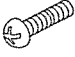


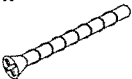


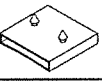

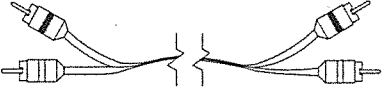
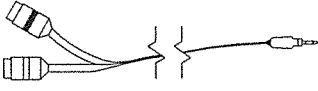
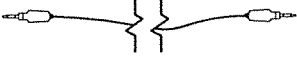


## Component of Carton F

(K) Woofer/ AMP  
x 1



Hardware  
Bag

Hardware List (in Carton A)		Hardware List (in Carton B)	
(L) M8 x 25mm x 4 (Pre-Installed) 		(L) M8 x 25mm x 4 (Pre-Installed) 	(M) M4 x 12mm x 4 (Pre-Installed) 
(Carton A)		(Carton B)	(Carton B)
Hardware List (in Carton C)			
(N) Screw Driver x 1 			
(Carton C)			
Hardware List (in Carton D)			
(O) M5 x 35mm x 14 	(P) M8 x 16mm x 4 		
(Carton D)	(Carton D)		
Hardware List (in Carton E)			
(Q) End Cap x 30 or 32 	(R) Middle Cap x 15 or 16 		
(Carton D)	(Carton D)		
Hardware List (in Carton F)			
(S) HUB x 1  			
(Carton F)			
(T) RCA Audio Cable 4.8 meters x 1  			
(Carton F)			
(U) Female RCA TO 3.5mm JACK SPLITTER Cable x 1  			
(Carton F)			
(V) 3.5mm JACK AUX Cable x 1  			
(Carton F)			

## **Tips before you start!**

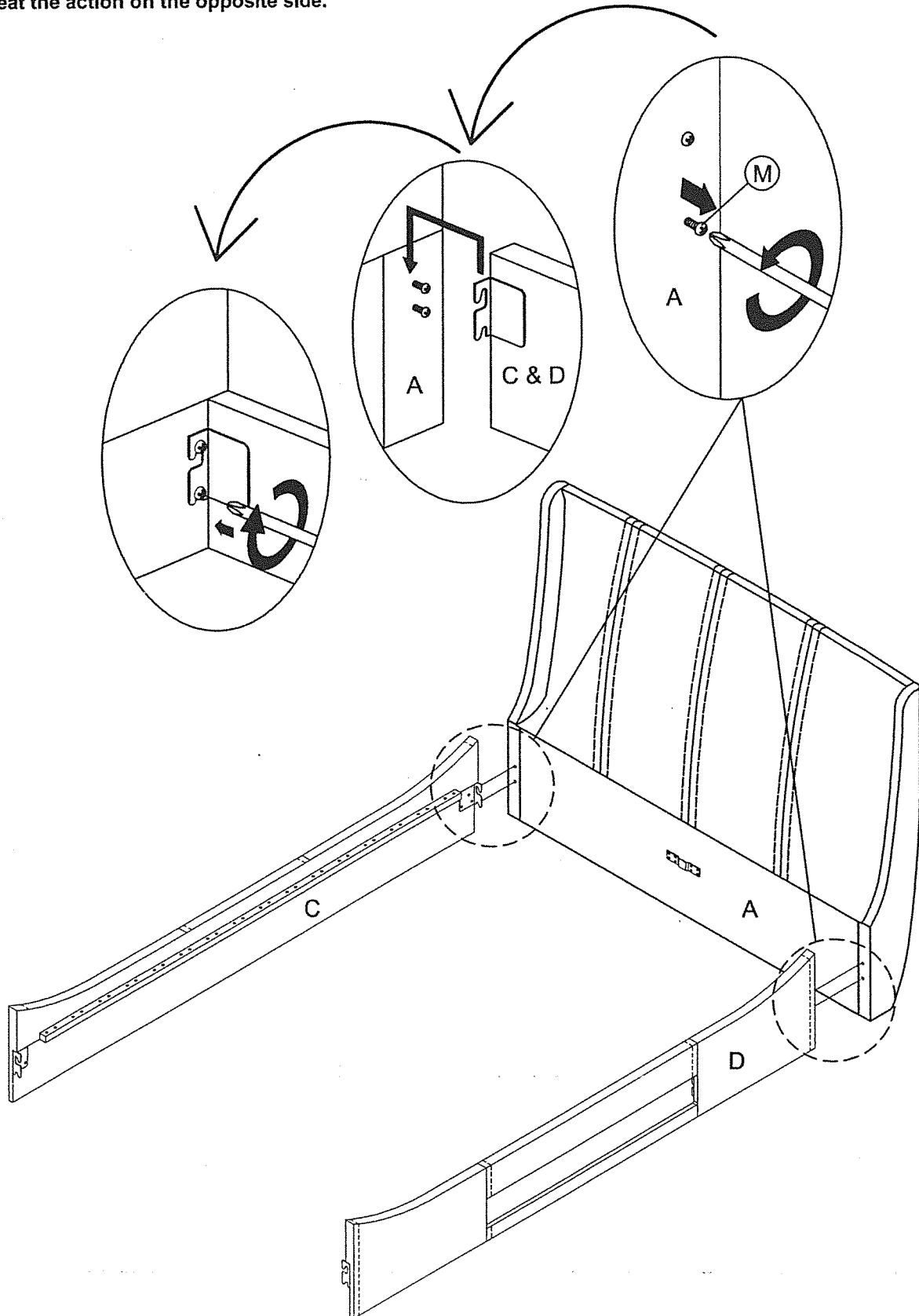
1. Please check that all parts are present before you start the assembly of your furniture.
2. For ease and speed of assembly, we recommend that before you commence each step of the assembly, that you identify all the parts required for that step.
3. For larger items, please ensure that you have sufficient space and people (as indicated on page 1) to assemble your product safely. (Minimum Two Persons)
4. We recommend where possible, all items are assembled near to the area where they will be placed in use, to avoid moving the product unnecessarily once assembled.
5. Please ensure that your bed is placed on a level floor area. (Avoid setting up and installing your bed on uneven floor surface.
6. For the protection of your furniture, we recommend that the product is placed on a protected surface during assembly to prevent any damage.
7. During assembly please take care not to over-tighten any fittings, as this may damage the product.

## **Care and Maintenance of your Furniture**

- Please periodically check all fittings and re-tighten as necessary.
- To clean your item, please use a soft damp cloth and wipe clean.
- Please do not jump on your furniture.
- Never allow any kind of liquid to remain on your furniture. This can cause finishes to de-laminate. Take care when spraying Perfume and deodorants etc as the vapour can settle on the fabric surface and cause damage.
- Periodically check the condition of your bed slats and plastic locating caps to ensure they are in good condition and have not become loose.
- It is important to Never Drag your bed as this can cause damage to the joints and the fixings. This may invalidate your guarantee.
- The bed should always be lifted into position or if moved for cleaning.

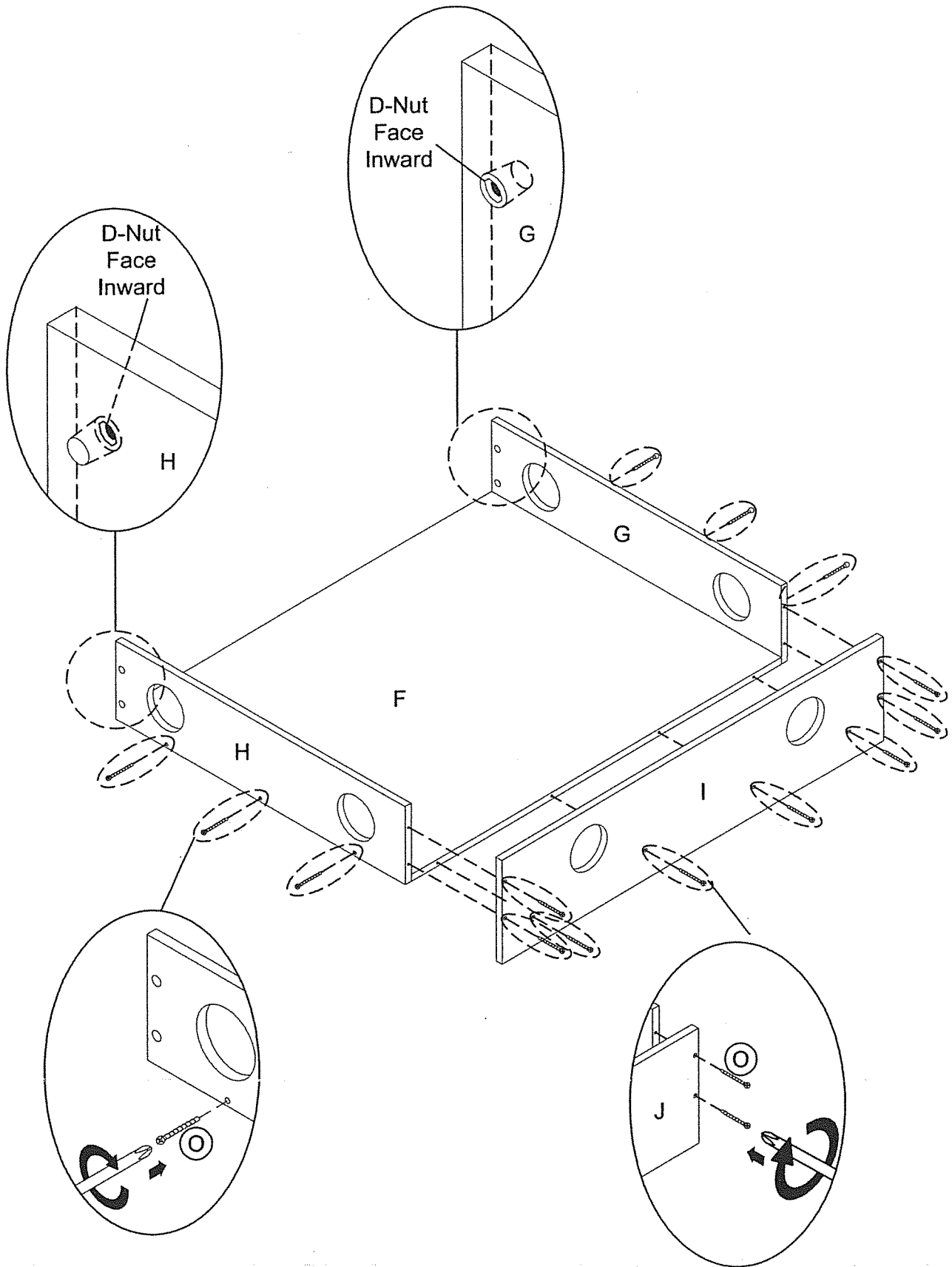
## Step 1

- Before assembly please decide which side you require the "DVD / Media Compartment" Part 'H' side rail with opening will need to be placed at that side.
- Loosen the bolts located in the head end. (Note: only loosen the bolts Do NOT remove them.)
- Hook the side rail over the bolts as shown.
- Repeat the action on the opposite side.



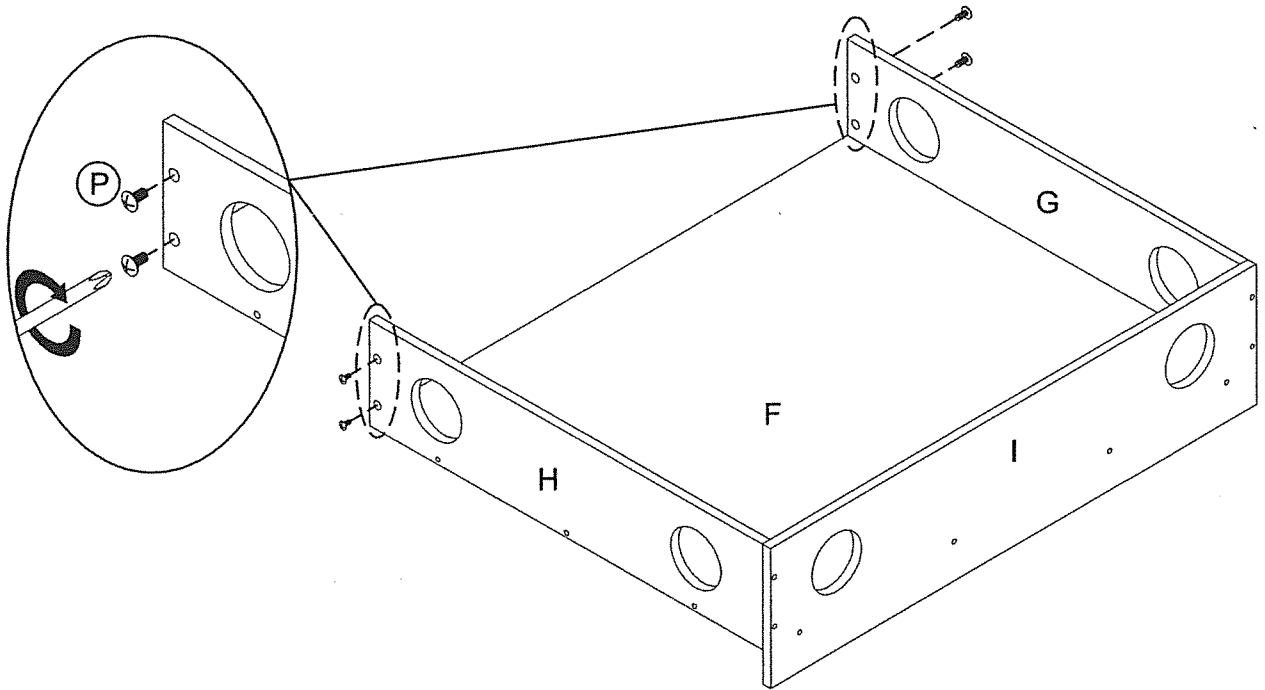
## Step 2

- Attach "DVD / Media Compartment" side and back panels to "DVD / Media Compartment" base panel as shown.



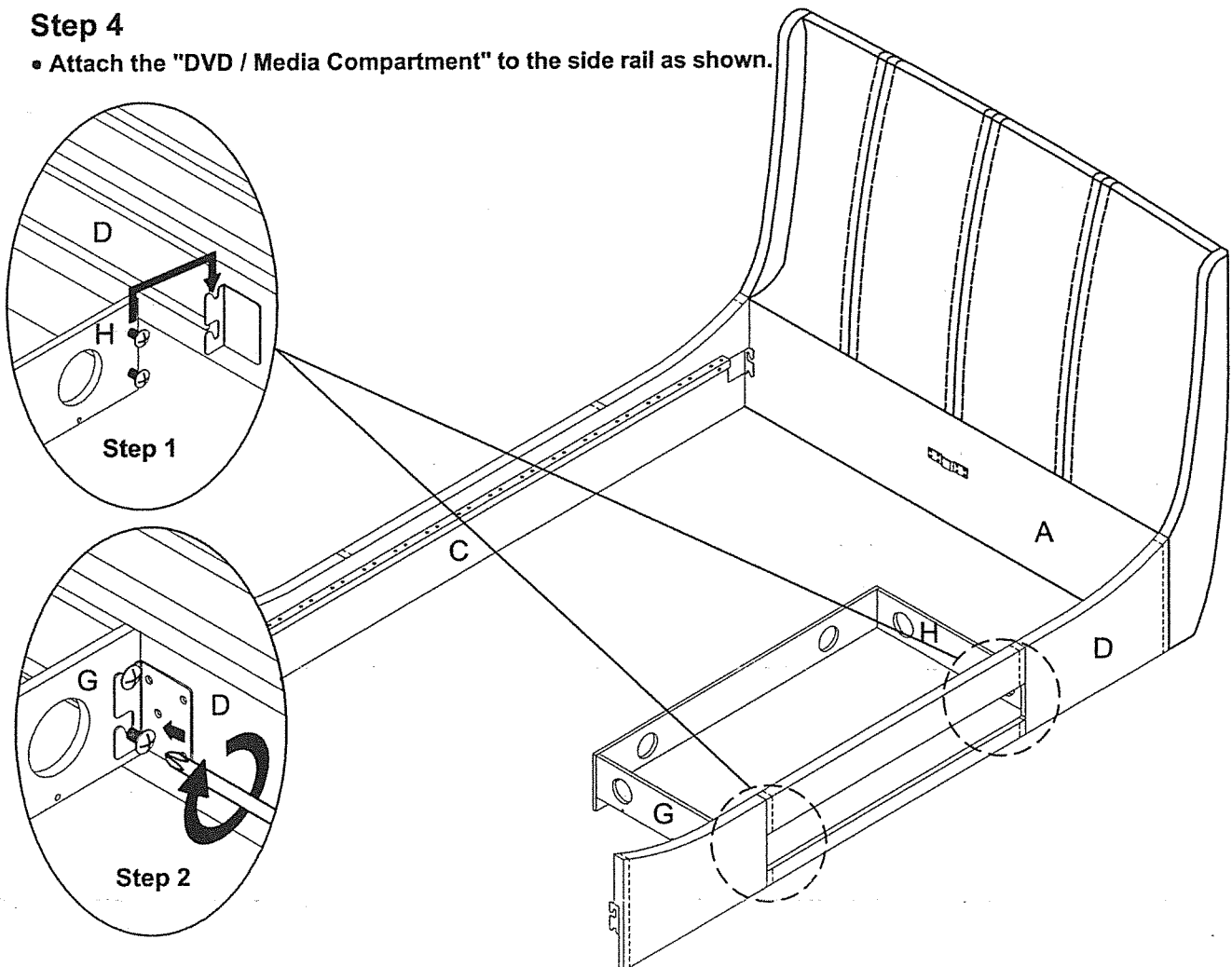
### Step 3

- Attach the bolts to both side of "DVD / Media Compartment" side panels as shown.



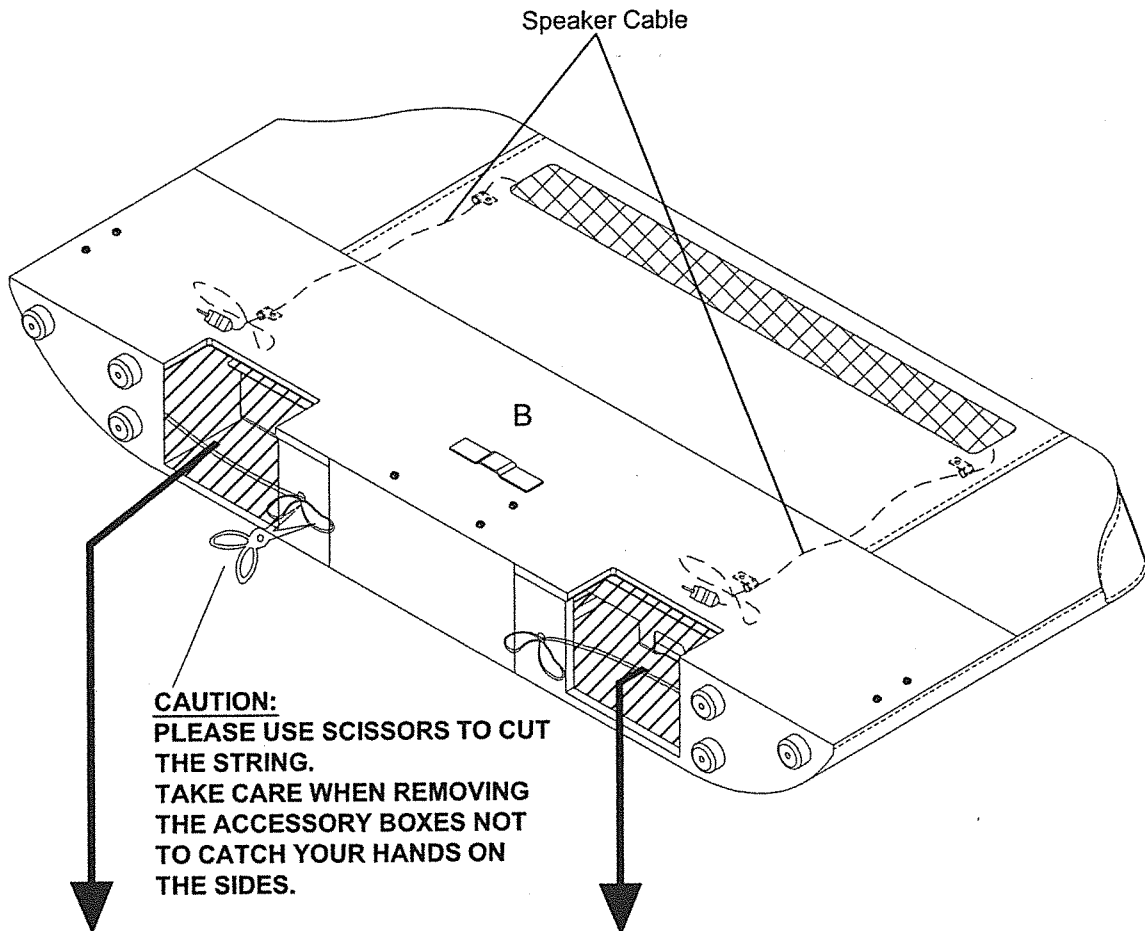
### Step 4

- Attach the "DVD / Media Compartment" to the side rail as shown.

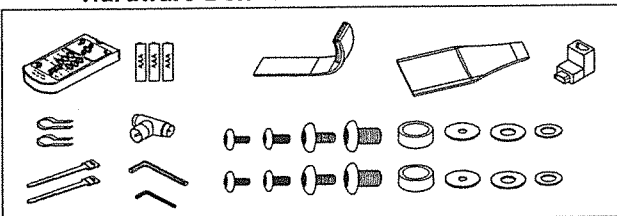


## Step 5

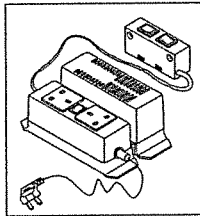
- Carefully remove the footboard from carton B, remove the Control Box, Remote Control, Hardware and all extra transportation packaging from inside.
- To do this you will need to gently lay the foot end on it's back. Before doing so please ensure the area is completely free of anything that may cause damage or press into the fabric. Place a protective cover on the floor to avoid possible damage.
- The controls and hardware are held in place by string please carefully cut these and remove.



Hardware Box -1



Hardware Box -2



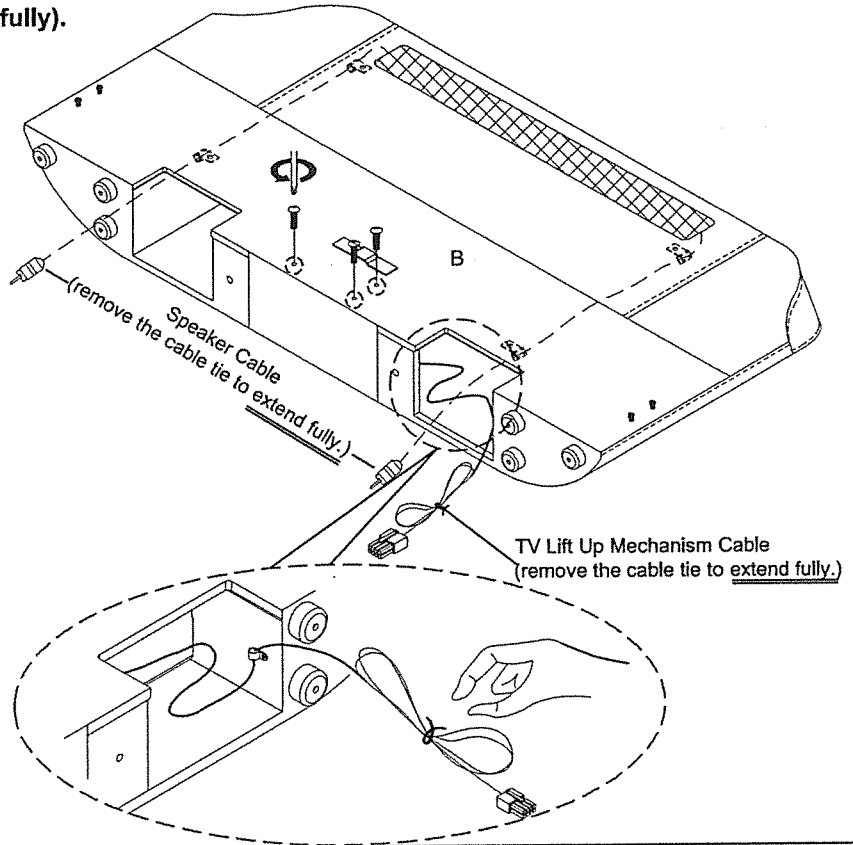
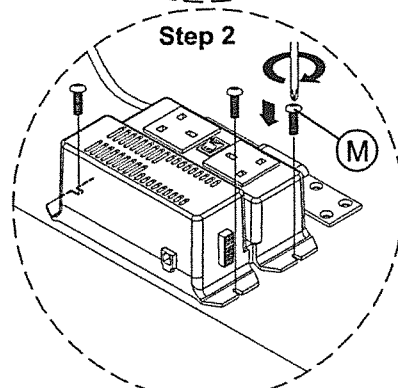
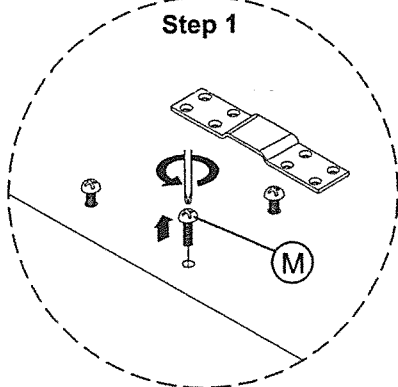
## ATTENTION! PLEASE NOTE:

In the event you are experiencing any technical difficulties and you require additional assistance/ support with your product 'Mechanical/ Electrical' function - Please visit <http://furnitureinnovation.freshdesk.com>



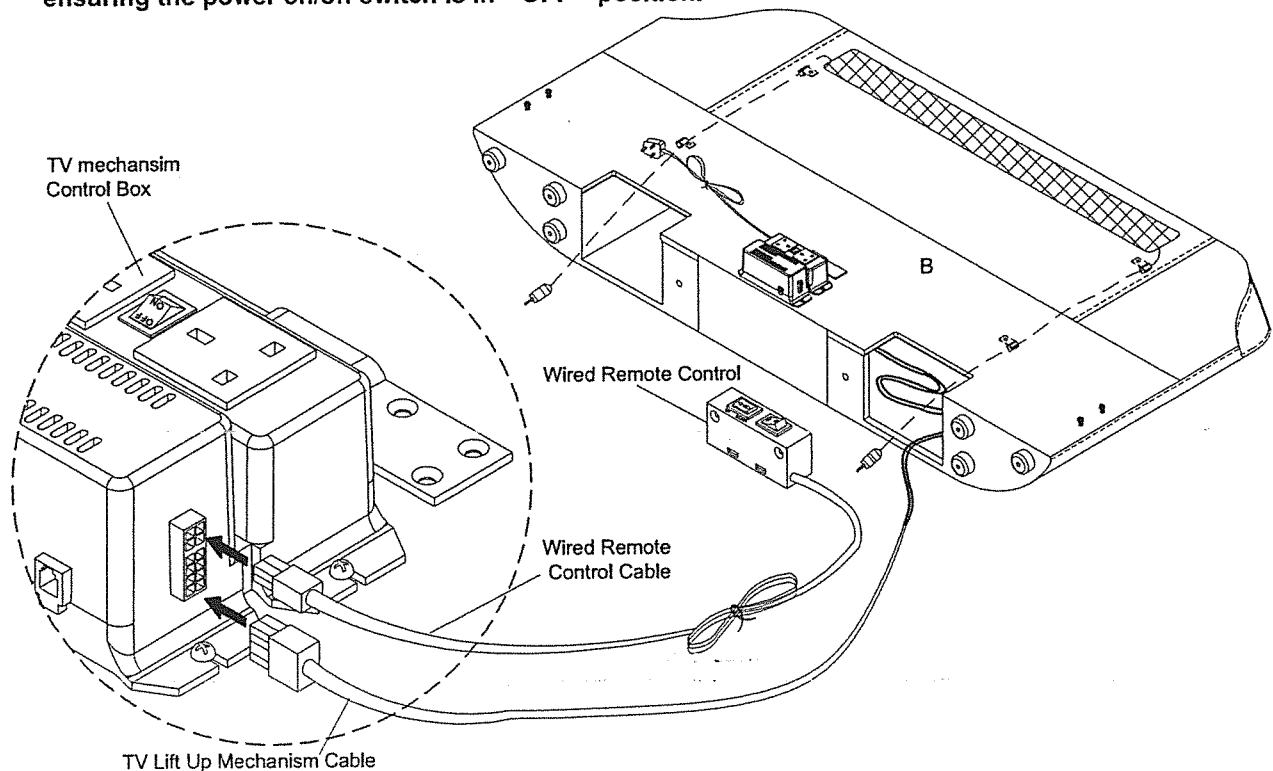
## Step 6

- Remove the control box attachment bolts from middle of foot end.
- Attach the control box using the bolts.
- Insert your hand into the right hand cavity and locate the lift mechanism power cable. Remove the cable tie and (extend fully).
- Insert your hand into the left/right hand cavity and locate the speaker cable. Remove the cable tie and (extend fully).



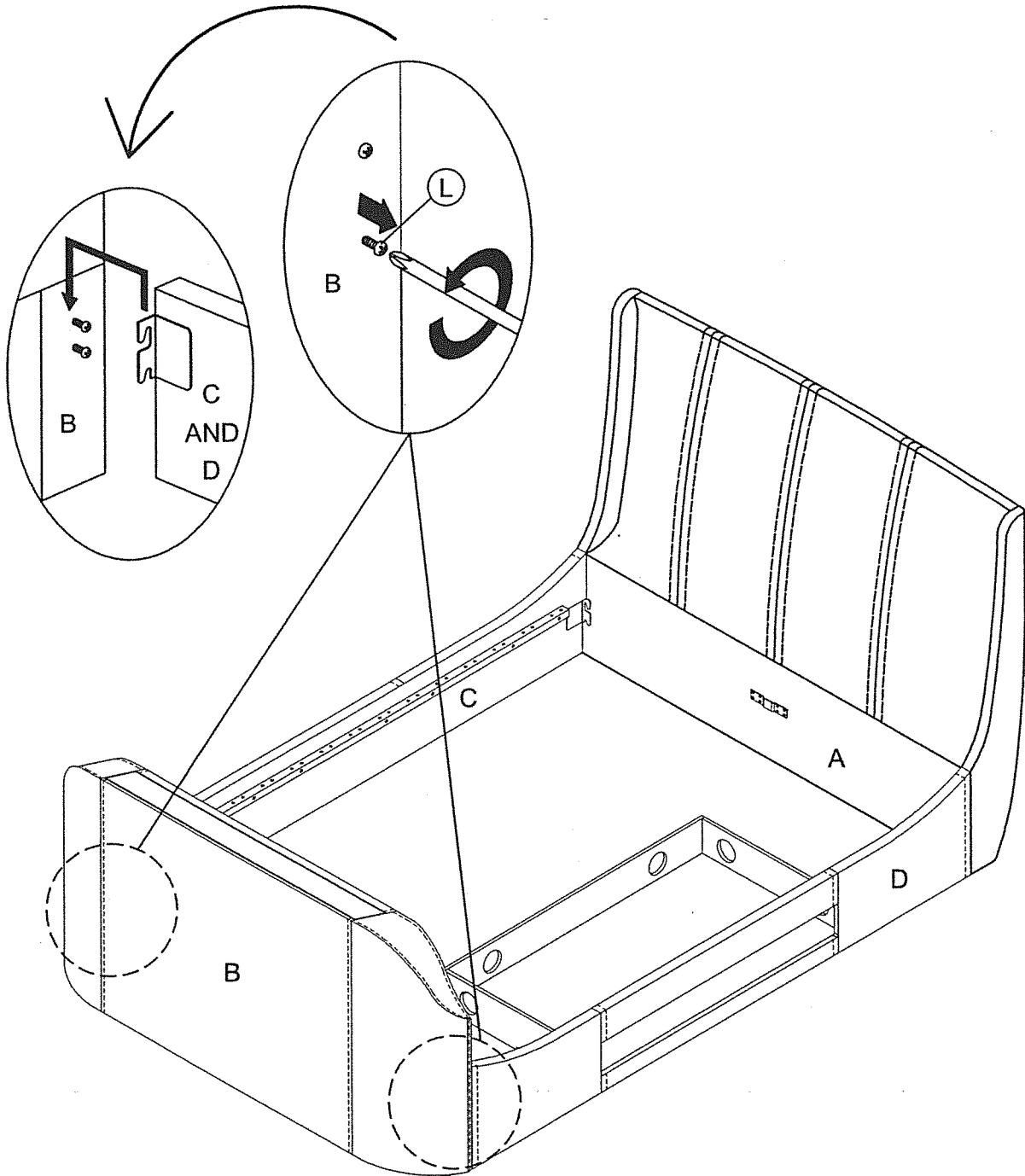
## Step 7

- Connect mechanism power cable and Wired Remote Control cable to the control box, ensuring the power on/off switch is in " OFF " position.



## Step 8

- Carefully lift the foot end back to it's upright position.
- Loosen the bolts located in the foot end.
- Please note these should only be loosened and **NOT** removed.
- Hook the side rail brackets over the bolts on both sides.



## Step 9

- Carefully slot the centre rail into the brackets on the head and foot end. Be very careful not to catch the head and foot ends with the Centre rail tongue.
- Fully tighten all screws on the head and foot ends.
- Remove the screw from center support leg.
- Attach the centre support leg to the middle of centre rail with the screw removed.

