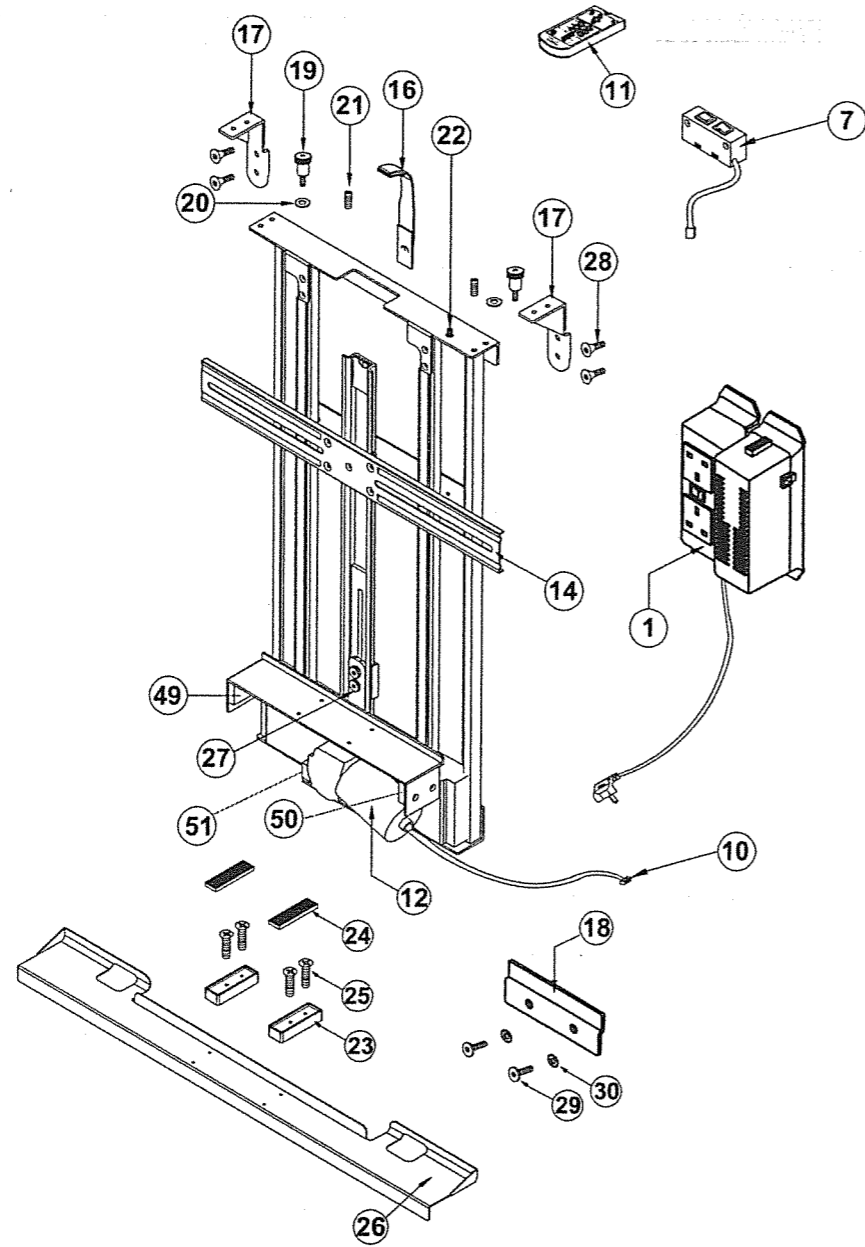


KF-3001 SPARE PARTS IDENTIFICATION SHEET ONLY



ITEM	PART DESCRIPTION	PART NO.
1	Control Box (UK)	v2cntbox-uk-1
1	Control Box (USA)	v2cntbox-us-1
1	Control Box (AUS)	v2cntbox-aus-1
1	Control Box (CAN)	v2cntbox-can-1
7	Wired remote control	v2wrdcnt-7
11	Wireless remote control (UK)	v2rfrmt-UK-11
11	Wireless remote control (USA)	v2rfrmt-USA-11
11	Wireless remote control (AUS)	v2rfrmt-AUS-11
11	Wireless remote control (CAN)	v2rfrmt-CAN-11
12	Main Assembly KF-3001- (Main Engine - Frame, motor, cable, platform, mech stabilizer, micro switches, grub screws)	v2 mainmechonly-12
14	TV Flat Bracket (Vesa Bracket)	v2tvhngbkt-14
16	Gooseneck	v2gsnkrmv-16
17	Upper hanging bracket (2pcs)	v2thb-17
18	Bottom hanging bracket (1pc)	v2bhb-18
19,20	Tool free screw with M6 washer	v2tfsr-19,20
21	Balance grub screw M6 x 15mm	v2baigrubscr-21
22	Stopper grub screw with nut M6 x 25mm	v2ststgrubscr-22
23,25	TV block with screw M4 x 16mm	v2trayped-23,25
24	Rubber pad	v2traypedstrps-24
26	TV Tray	v2tvtray-26
27	Allen head screw with washer M6 x 20mm	v2pltfmrribits-27
28	Allen head screw M6 x 20mm (4pcs)	v2m620ahs-28
29	Allen head screw M8 x 16mm (2pcs)	v2m816ahs-29
30	Shake proof washer M8 x 16mm (2pcs)	v2spwashm8-30
33	Aerial connection	actn-19
34-43	TV mounting hardware (Allen key (M3),(M5), Pan head screw M4 x 16mm (2pcs), Pan head screw M5 x 16mm (2pcs), Pan head screw M6 x 16mm (4pcs), Pan head screw M8 x 16mm (2pcs), M5 Washer (2pcs), M6 Washer (2pcs), M8 Washer (2pcs), Plastic collar,	v2tvmnthw34-43
44	Remote control pocket UPH (Brown Madras Faux)	v2rcp-fm-br-44
44	Remote control pocket UPH (Black Madras Faux)	v2rcp-fm-bl-44
44	Remote control pocket UPH (White Madras Faux)	v2rcp-fm-wh-44
45	90 Degree HDMI cable adaptor	v2hdmj90d-45
46	Door/Lid UPH (Brown Madras Faux)	v2f/edoor-fm-br-46
46	Door/Lid UPH (Black Madras Faux)	v2f/edoor-fm-bl-46
46	Door/Lid UPH (White Madras Faux)	v2f/edoor-fm-wh-46
47	Footend Door/Lid HINGES	f/edoor-hng-32
48	Oversized (screw width) upper/lower hanging bracket wood screws	xl-wscrew-33
49	Mech stabilizer (left)	v2mechstbl-49
50	Mech stabilizer (right) with stop micro switch	v2upsttopmswt-50
51	Down stop micro switch	v2dwnsttopmswt-51

NOTE: For ordering Parts item (44) and item (46). Please provide the upholstery material code refer to the upholstery material label on Foot end lid (46).

