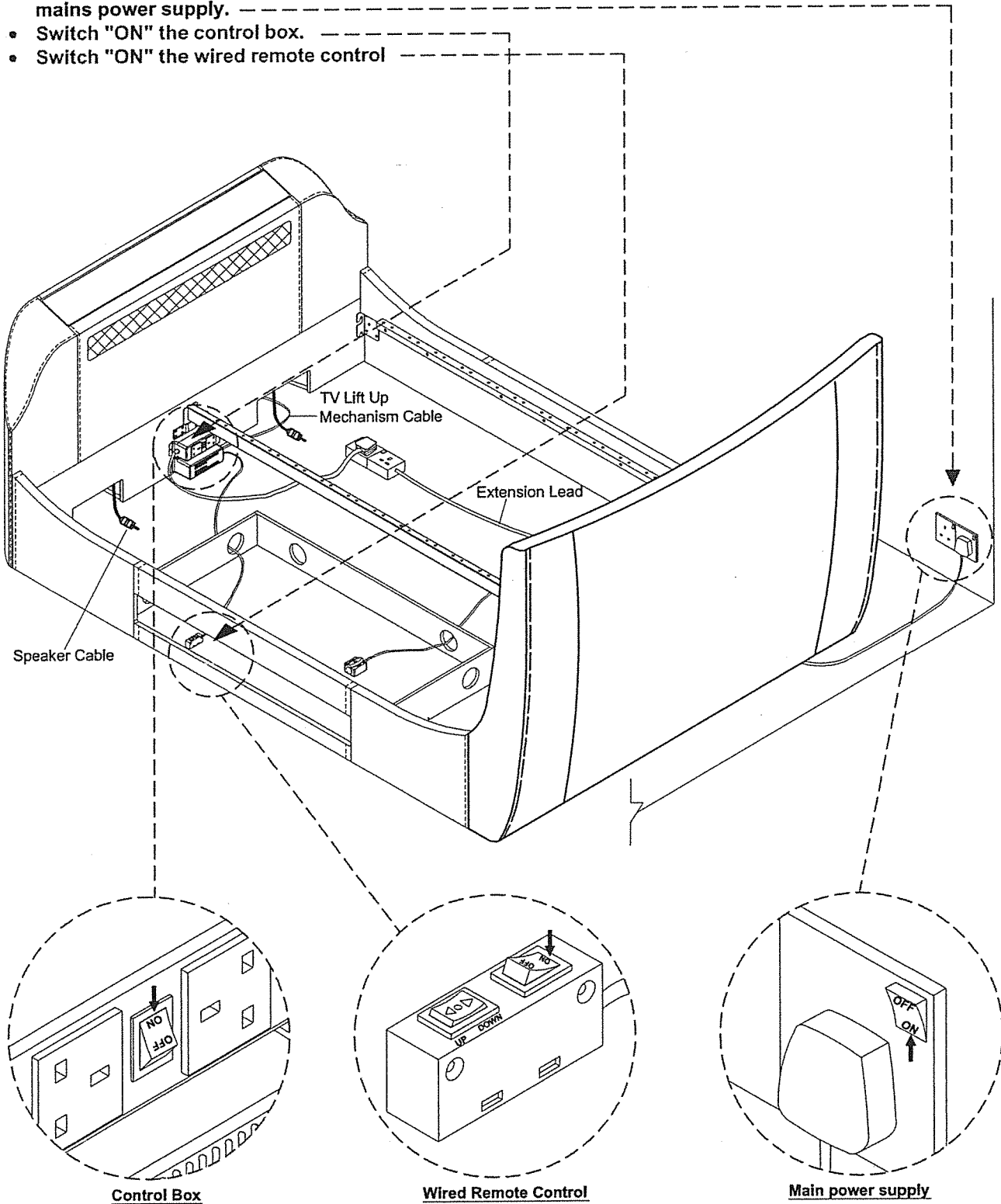


Step 10

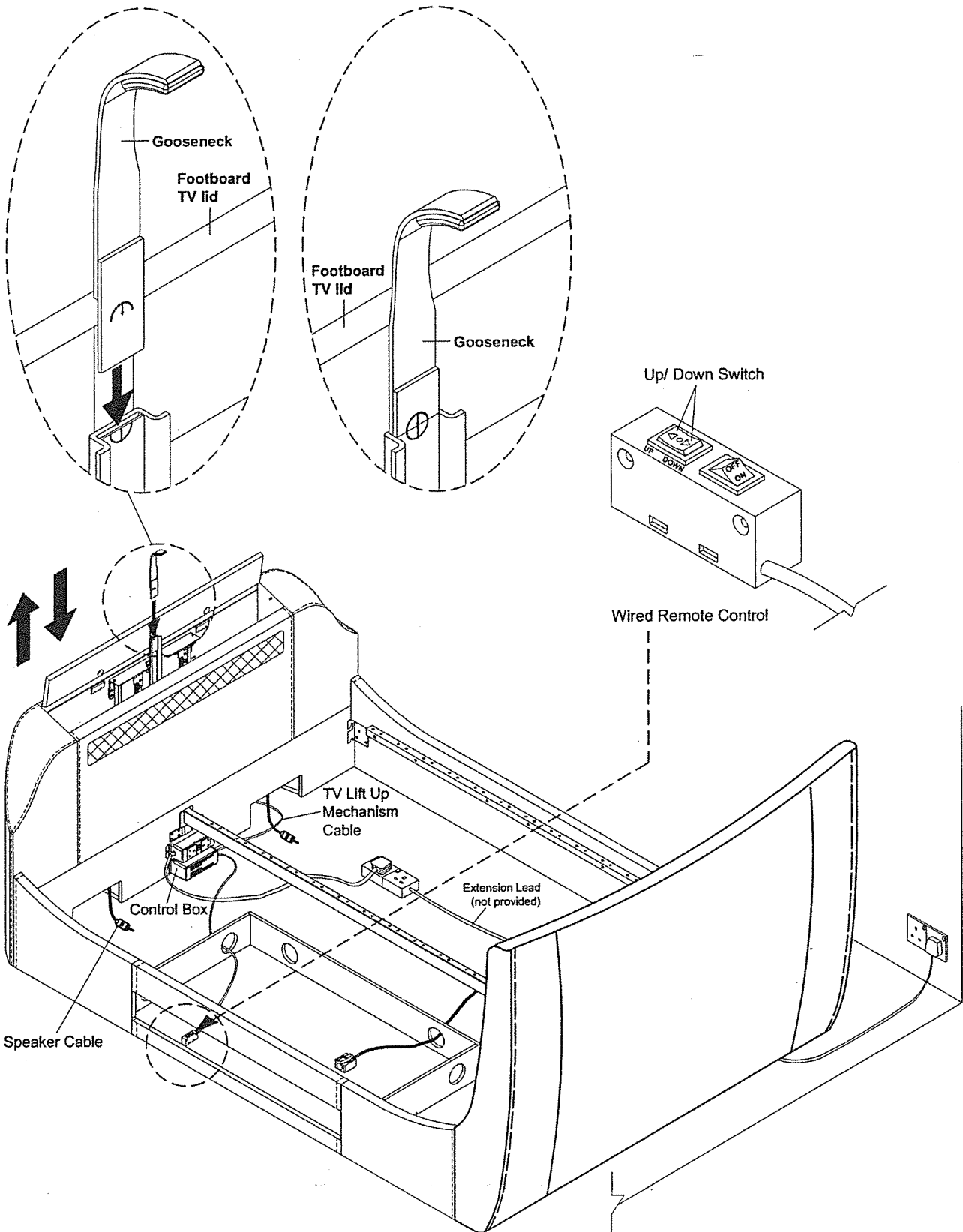
- Remove the cable tie from the control box power supply plug.
- Connect this plug to your mains supply (you may require an extension lead for this. Switch on the mains power supply.
- Switch "ON" the control box.
- Switch "ON" the wired remote control



* Please ensure everything is switched "ON".

Step 11

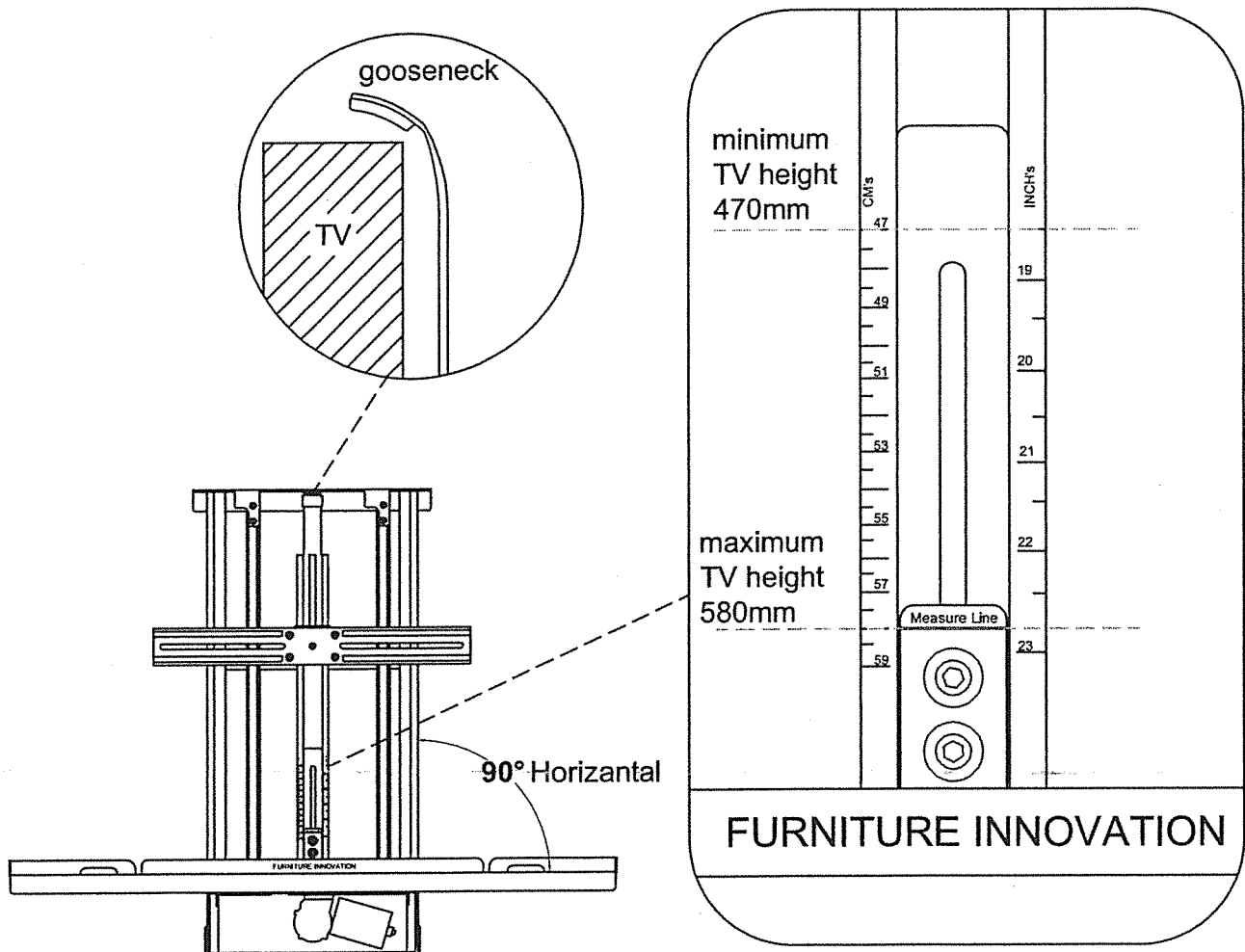
- Press the "UP" switch on the wired remote control, which will then lift up the TV mechanism until the footboard TV lid opens far enough to slot the gooseneck into position shown below. Ensuring its all the way in and the arrows meet. (The gooseneck can be found in carton B hardware.)
- Press and hold the Up / Down switch on the wired remote control to test the mechanism.



Step 12

- Adjust the TV tray to suit the height of your TV (without stand). Please follow step below

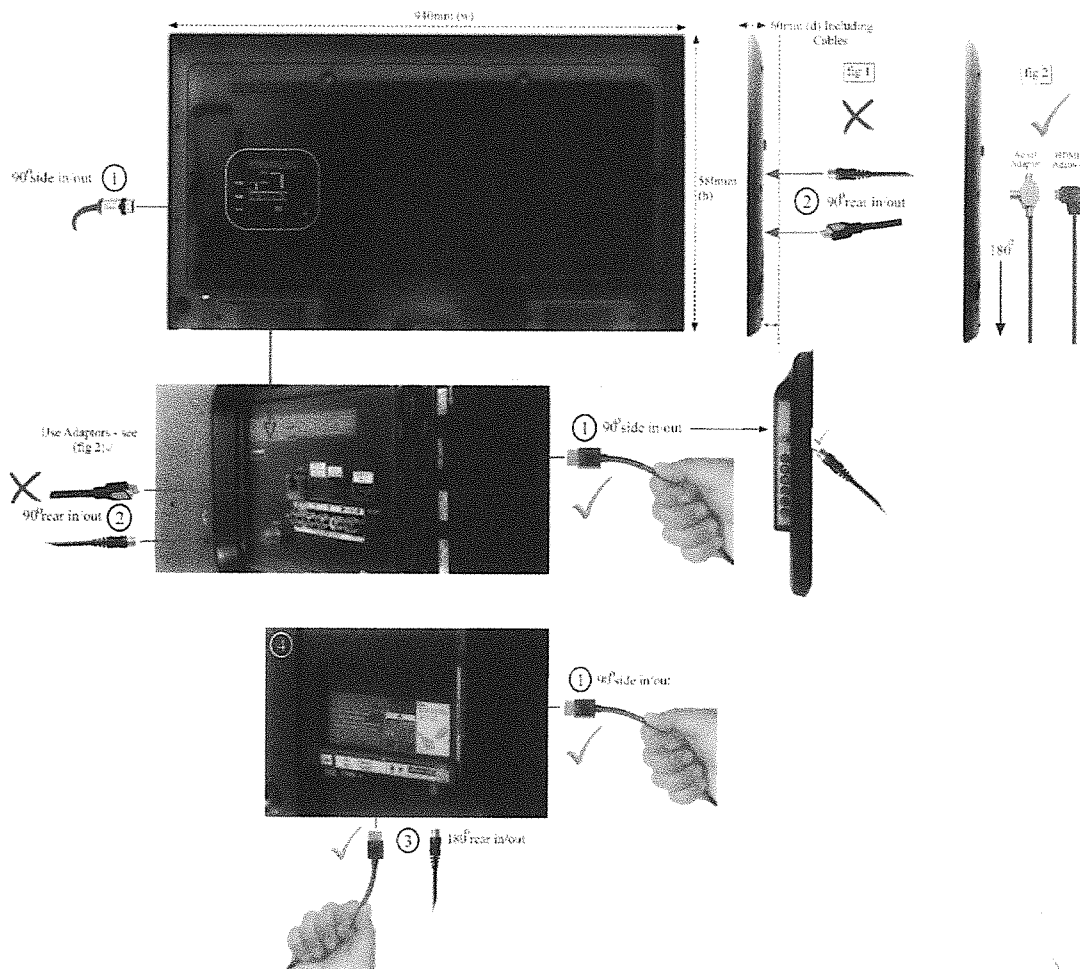
- 12.1 : Make a note of the height (without stand!) of your television -
- 12.2 : Use the Allen key (34) to slightly loosen the bolts. (note: only loosen screws to finger loose, do not remove the bolts on the central mechanism column.
- 12.3 : Use the Wired remote control to lower the mechanism to a position that will allow you to raise the tray.
- 12.4 : Using both hands, carefully lift the tray - while using the measure line to match the noted height of your TV.
- 12.5 : When the TV is mounted it should sit neatly just underneath the Gooseneck. When tightening the TV platform make sure to keep the TV platform horizontal.



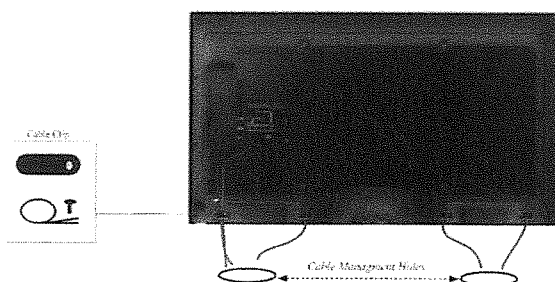
Step 13

- You are now ready to install the TV. At this point it is important to take careful note of the TV compatibility guidelines below. First you will need to ensure your TV is no wider than 950mm, no taller than 580mm and no deeper (thickness at its deepest point) than 55mm. Please note in the event you do not have a tape measure Your TV manual usually notes its TV dimensions(without stand).
- Below are four typical examples of most cable connection direction scenarios on Slimline LED TV's
 - 90° angled 'side' (cable in/out) connections (Preferable)
 - 90° angled 'rear' (cable in/out) connections (Less Preferable - Use Adaptors)
 - 180° angled 'rear' (cable in/out) connections (Preferable)
 - A mix of 1 & 3 (Best Case Scenarios)

Please note: The below examples show HDMI cables and TV signal aerial cables. these cables are typical cables that connect to the rear of a TV, however alternative connection cables may also apply. If in doubt please consult a professional TV instillation company.



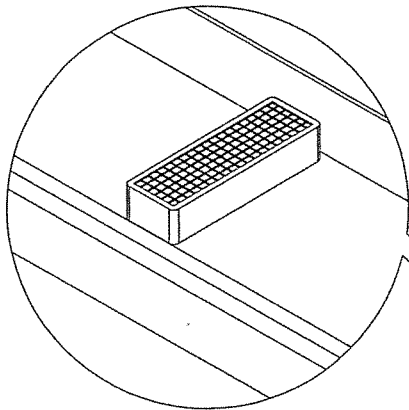
In the event the televisions cable in/out direction facility relates to Example No 2: 90° angled 'rear' (cable in/out) connections (*Less Preferable*) and you are using a HDMI cable & or TV signal aerial - Please use the provided HDMI cable 90° out adaptor and/or the TV signal aerial T Bar connector - these adaptors are designed to reduce the extended cable distance between the rear of the TV and the TV lift mechanism thus allowing the TV to raise and lower, while avoiding cable collision within the bed footboard!



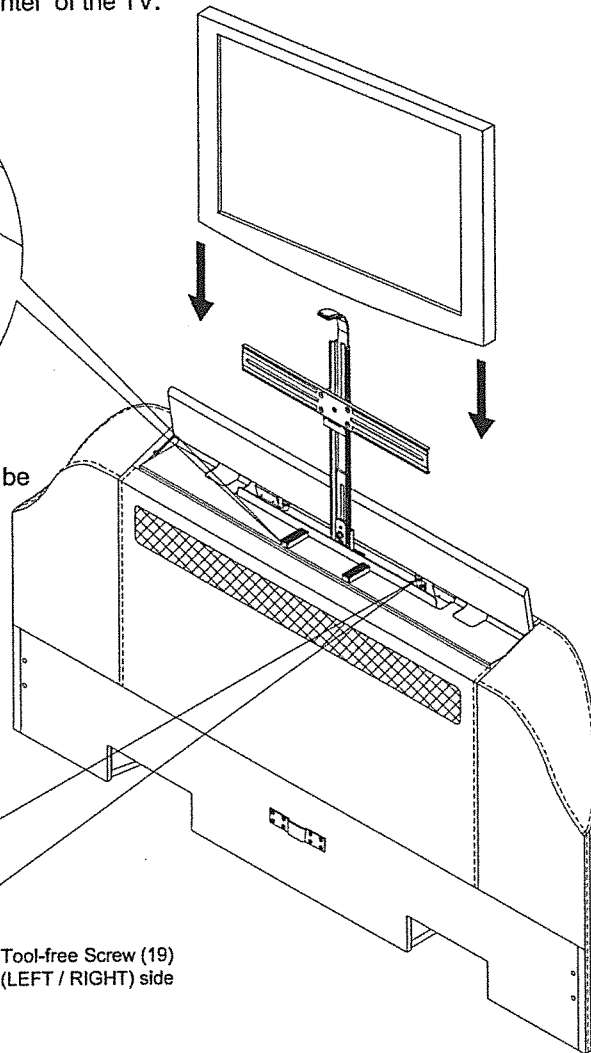
Please note: The manufacturer/supplier cannot take responsibility for any issues that relate a TV not working in conjunction with the TV lift mechanism. please take careful note of the TV installation restrictions, while ensuring all related cables are secure and free from interference within the footboard. please use the provided cable ties and clips to secure cables, where applicable. See example as a reference guideline. If in doubt please consult a professional TV instillation company.

Step 14

- TV installation.
 - 14.1 : Raise the mechanism to it's highest position.
 - 14.2 : While standing behind your television (on the outside end of the footboard).
 - 14.3 : Carefully place the TV on top of the two rubber TV mounting pedestals - ensuring the Gooseneck arm is perfectly inline with the horizontal 'center' of the TV.



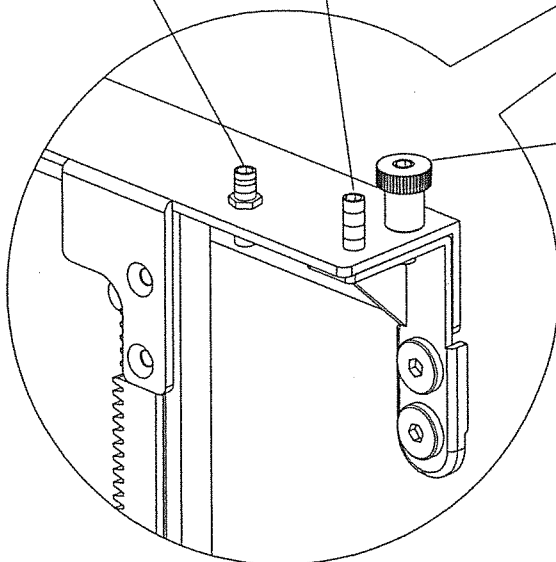
TV mounting pedestals should always be fitted to allow TV ventilation.



TV lift height adjuster screw
(FACTORY SETTING) (22)

TV mechanism Adjusting
Balance grub Screw (21)
(LEFT / RIGHT) side

Tool-free Screw (19)
(LEFT / RIGHT) side

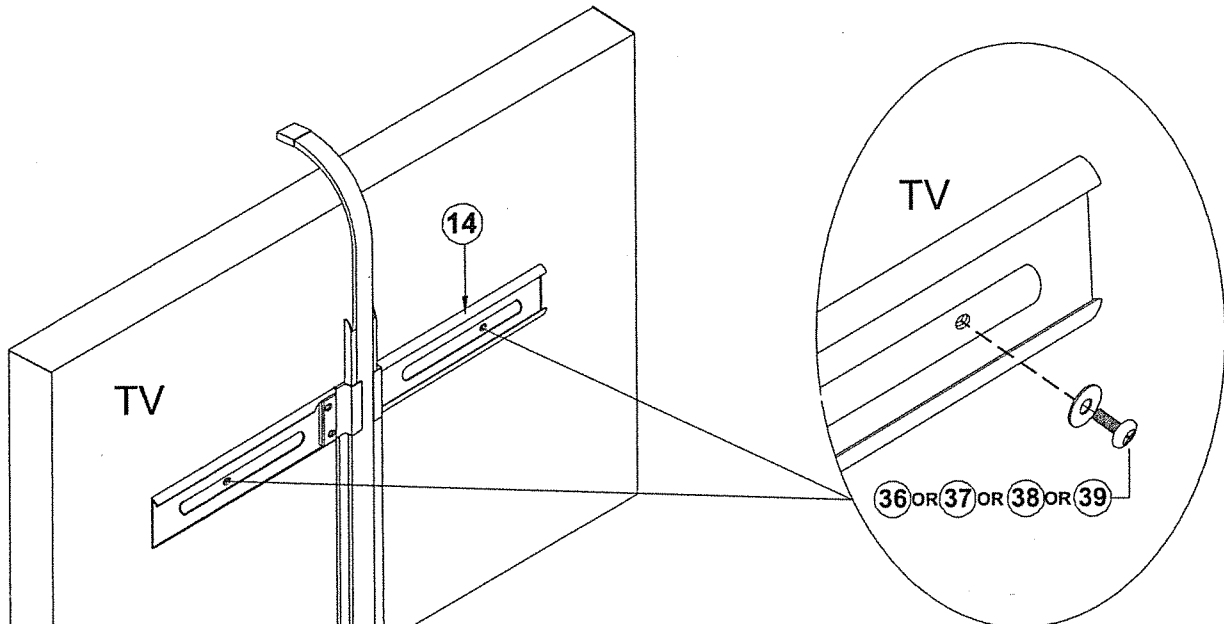


- IF THE TV OR MECHANISM IS TILTING TO THE LEFT OR RIGHT WHILST YOU FACE THE TV, FOLLOW THE STEPS BELOW TO RECTIFY THE TILT.
 - 1: Loosen (LEFT / RIGHT) side Tool-free screw (19) a few turns. Do not remove.
 - 2: Use 3mm Allen key (35) tighten the shelf adjusting screw (21) tightening this will adjust the mechanism to tilt to the RIGHT or LEFT (TV facing View)
 - 3: When the shelf / TV is level, please re-tighten the Tool-free screw (19) (LEFT / RIGHT) side .

Step 15

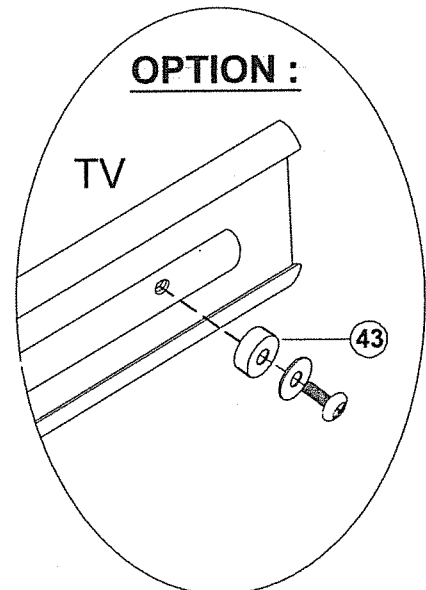
- TV Mounting Bracket (vesa bracket).

Please note : Item (36) or (37) or (38) or (39) screws have been supplied to fit most TV models. However sizes may vary depending on the TV model. If smaller or larger size screws are required these should be sourced from your local hardware store or TV specialist. Washers may also be required.



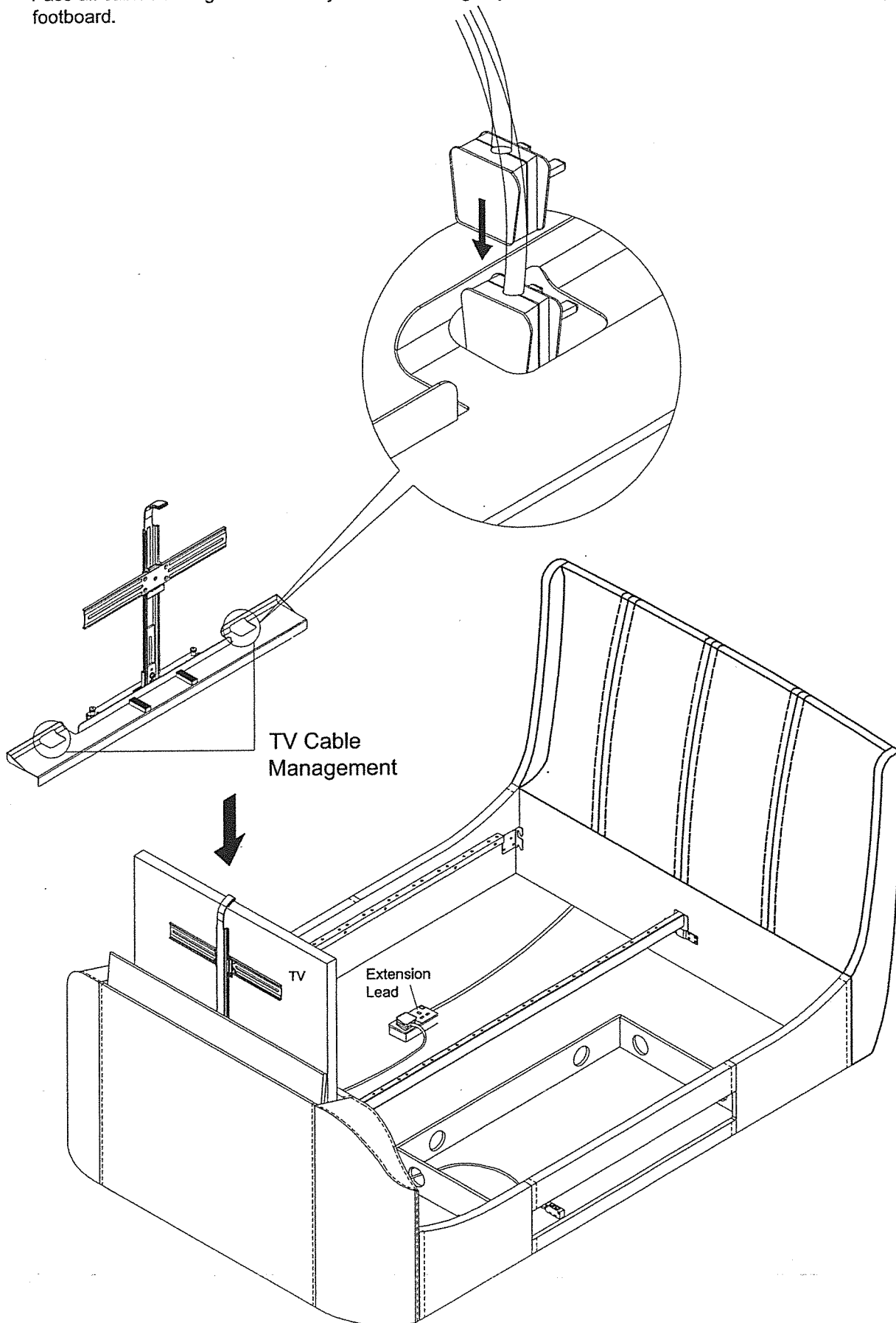
BOLT (36), (37), (38), (39)
WITH
WASHER (40), (40), (41), (42)

In the event you find the screws are too long for the TV with bracket please use Plastic collar (43) if required.



Step 16

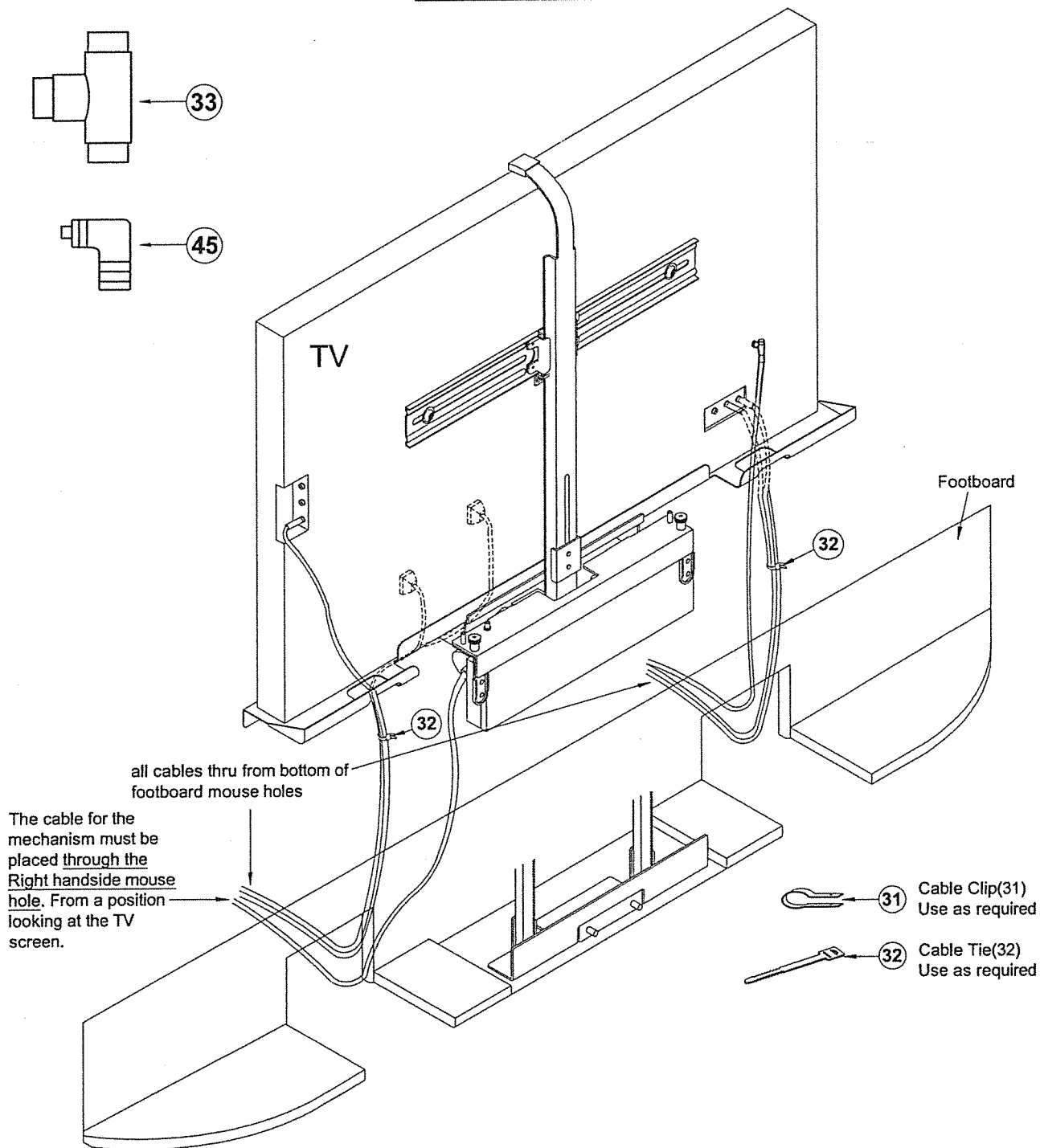
- The cable management holes are to help you to manage the cable and keep them tidy and free from snags. Pass all cables through them cleanly. While ensuring any cable slack is taken up from the bottom end of the footboard.



Step 17

- Detail connection plan - 1.

As previously mentioned cables should wherever possible be connected at right angle to the screen either in a sideways or downwards directions. Adapters may be needed to achieve this some of which are supplied (as below) any other requirements can be sourced from your local TV specialist.



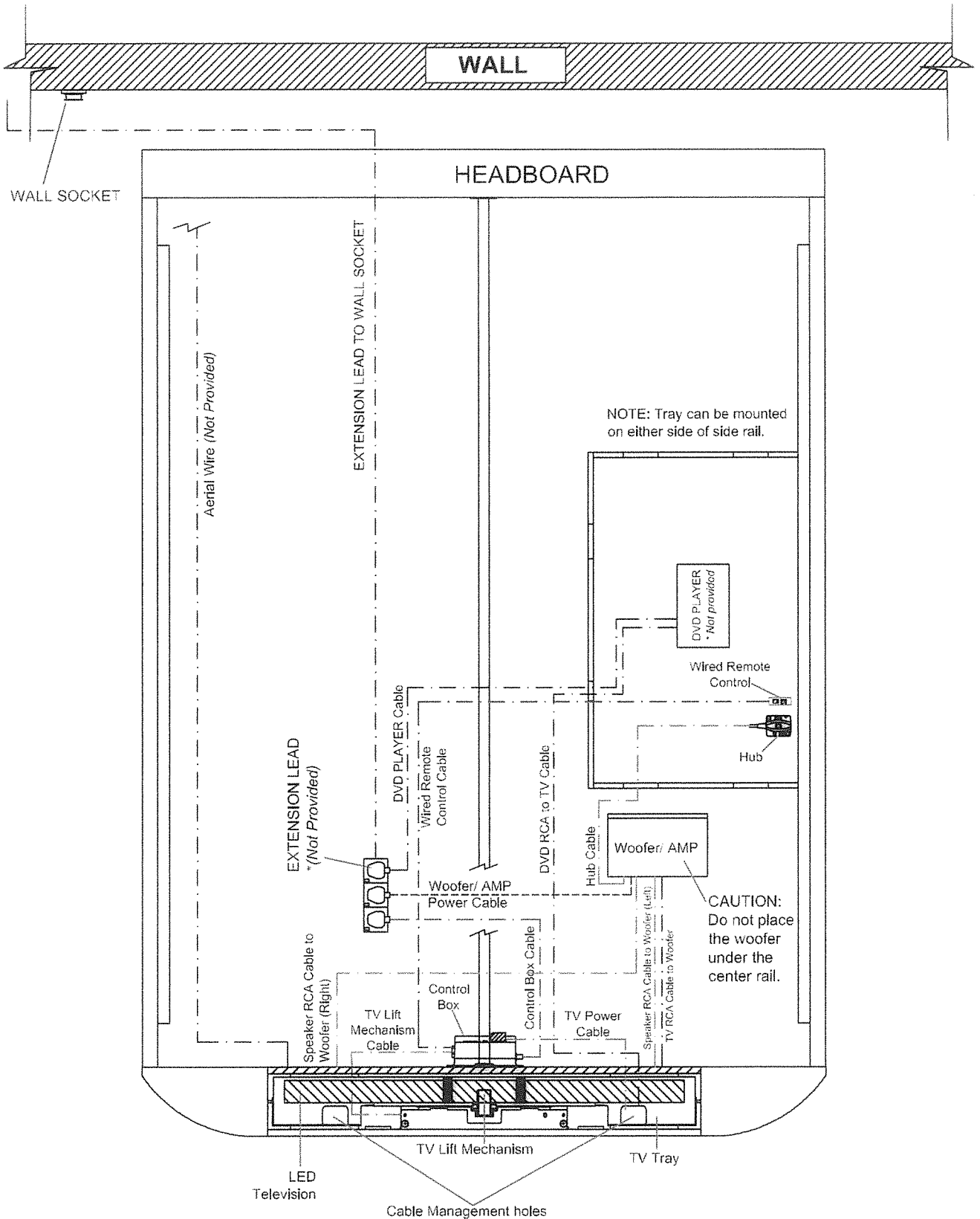
Place all cables through the 'Cable Management' holes to prevent any damage to the cable when the TV Lift Mechanism is operating. Make sure all your the cables are long enough to let the TV Lift Mechanism move freely.

Group the cables together as required below the TV Tray using cable clip (31) or cable tie(32) provided.

NOTE: The cables port for television ,DVD, TV aerial etc may not be the same as shown above and vary depending on TV model.

Step 18

- Detail connection plan - 2.



Step 19

- Detail connection plan - 3.

NOTE: Tray can be mounted on either side of side rail.

