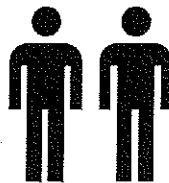


DESCRIPTION:
STANTON SLIM TV BED

1

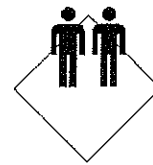
60 Minutes

APPROXIMATE ASSEMBLY TIME



2 PERSON ASSEMBLY

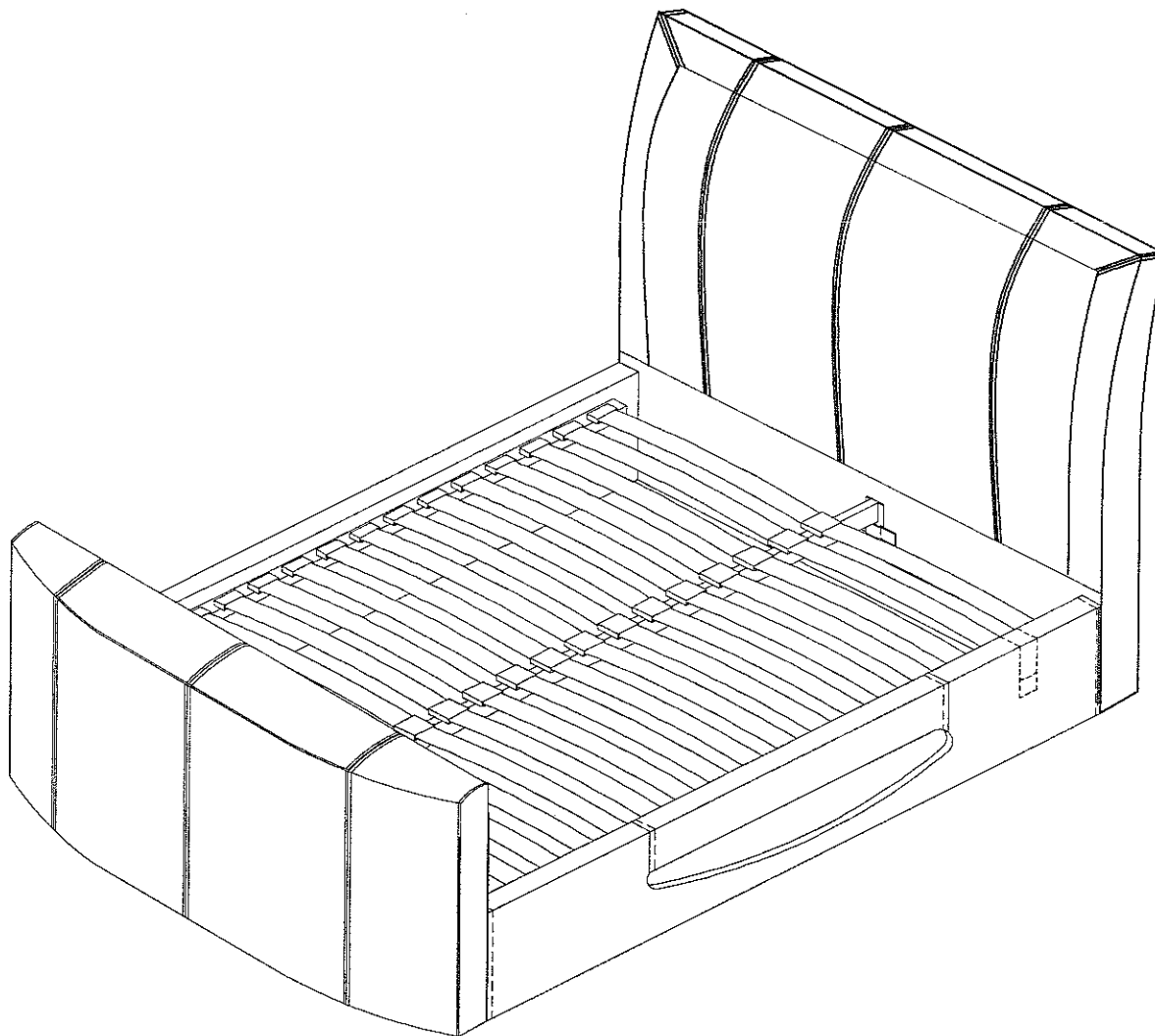
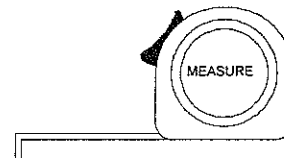
FLOOR AREA
2.0M X 2.7M



REQUIRED ASSEMBLY SPACE

ASSEMBLY INSTRUCTIONS

REQUIRED ASSEMBLY TOOLS



'ISSUE DATE : 12 March 2012'
'Original Instruction'

DESCRIPTION:

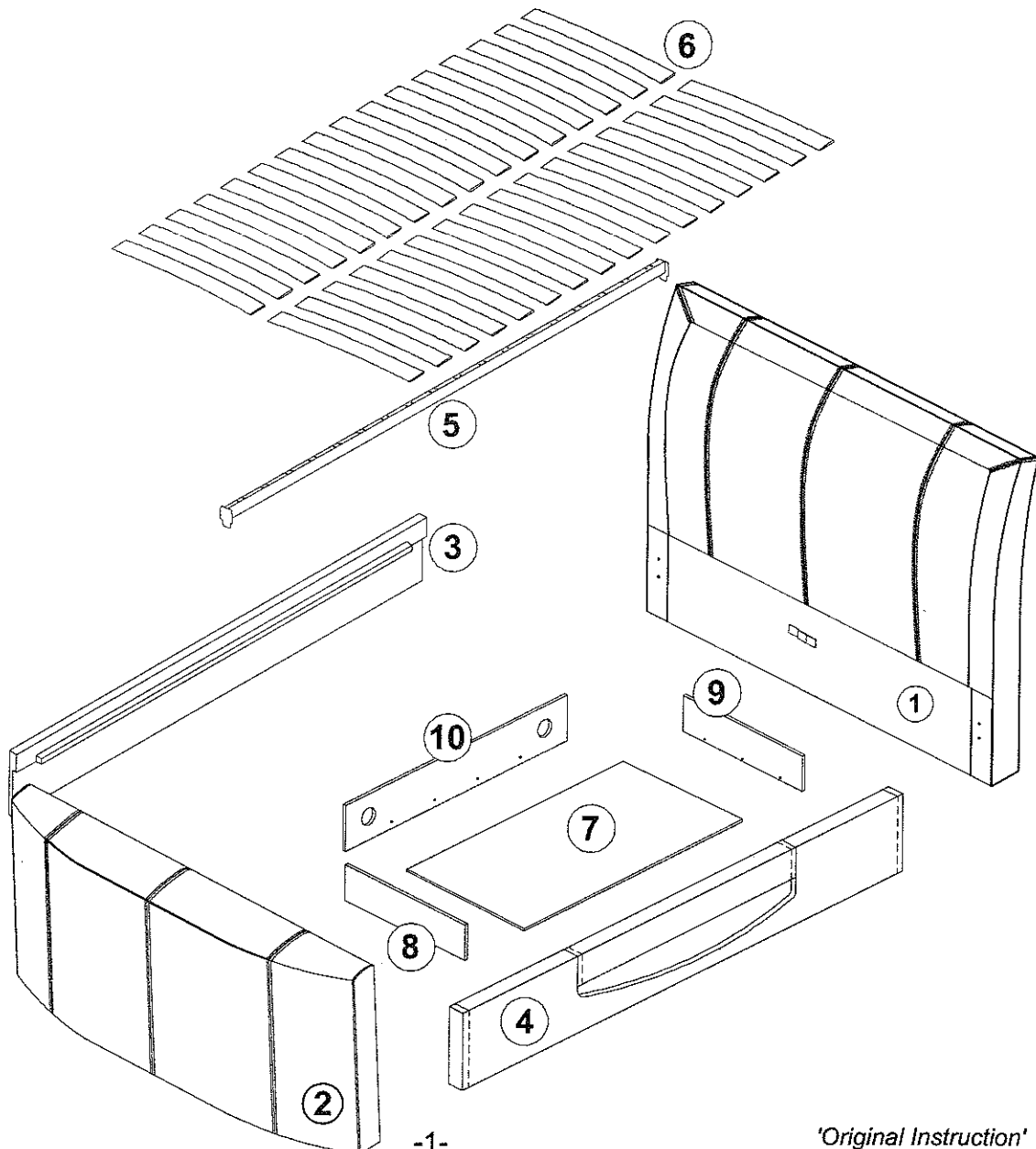
STANTON SLIM TV BED

1

PARTS LIST

NO.	DESCRIPTION	QTY	Carton Located	NO.	DESCRIPTION	QTY	Carton Located
(1)	HEADBOARD	1	A	(6)	SLATS	32/30	E
(2)	FOOTBOARD	1	B	(7)	BASE	1	D
(3)	SIDERAIL	1	C	(8)	SIDE PANEL(LEFT)	1	D
(4)	SIDERAIL	1	C	(9)	SIDE PANEL(RIGHT)	1	D
(5)	CENTER RAIL	1	C	(10)	REAR PANEL	1	D

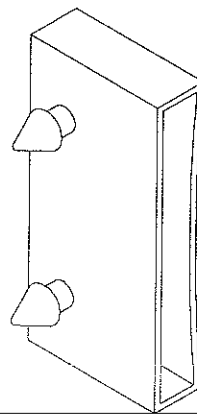
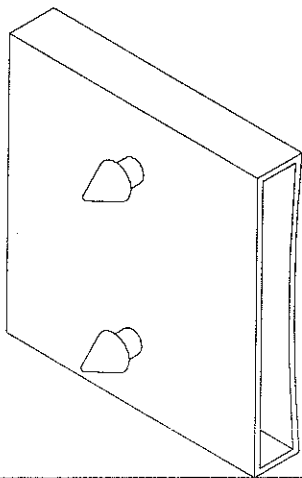
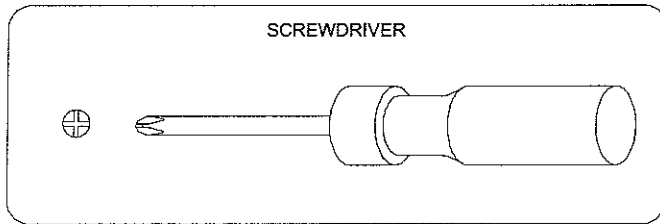
* KD Drawer can be assemble either at the left hand side or right hand side but must be fitted to side rail (4)



DESCRIPTION:
STANTON SLIM TV BED

1

HARDWARE LIST



5 cm
 4 cm
 3 cm
 2 cm
 1 cm
 0 cm

15 OR 16x

30 OR 32x

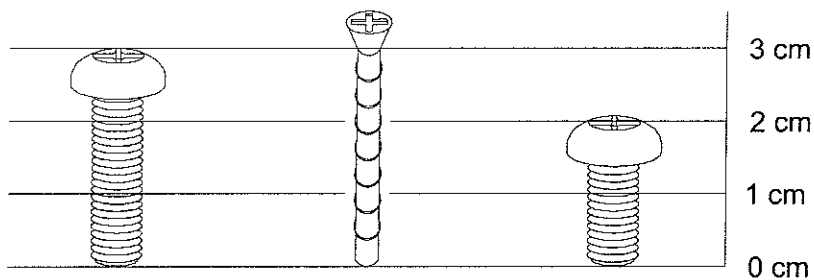
40 x 36 x 18mm

A

CENTER CAP

B

END CAP



8x

M8X 25mm

C

BOLT

14x

KD SCREW

D

BOLT

4x

M8X 16mm

E

BOLT

* Bolts C and E has been pre-fitted into the frame

** Bolts C - Carton A x 4 pcs + Carton B x 4 pcs

Bolts E & D - Carton D

DESCRIPTION:**STANTON SLIM TV BED****1****Top Tips before you start!**

1. Please check that all parts are present before you start the assembly of your furniture, as once assembled, the furniture is exempt from our home approval policy.
2. For ease and speed of assembly, we recommend that before you commence each step of the assembly, that you identify all the parts required for that step.
3. For larger items, please ensure that you have sufficient space and people (as indicated on page 1) to assemble your product safely.
4. We recommend that, where possible, all items are assembled near to the area in which they will be placed in use, to avoid moving the product unnecessarily once assembled.
5. For the protection of your furniture, particularly items of high gloss finish, we recommend that the product is placed on a protected surface during assembly to prevent any damage.
6. During assembly please take care not to over-tighten any fittings, as this may damage the product.

Care and Maintenance of your Furniture

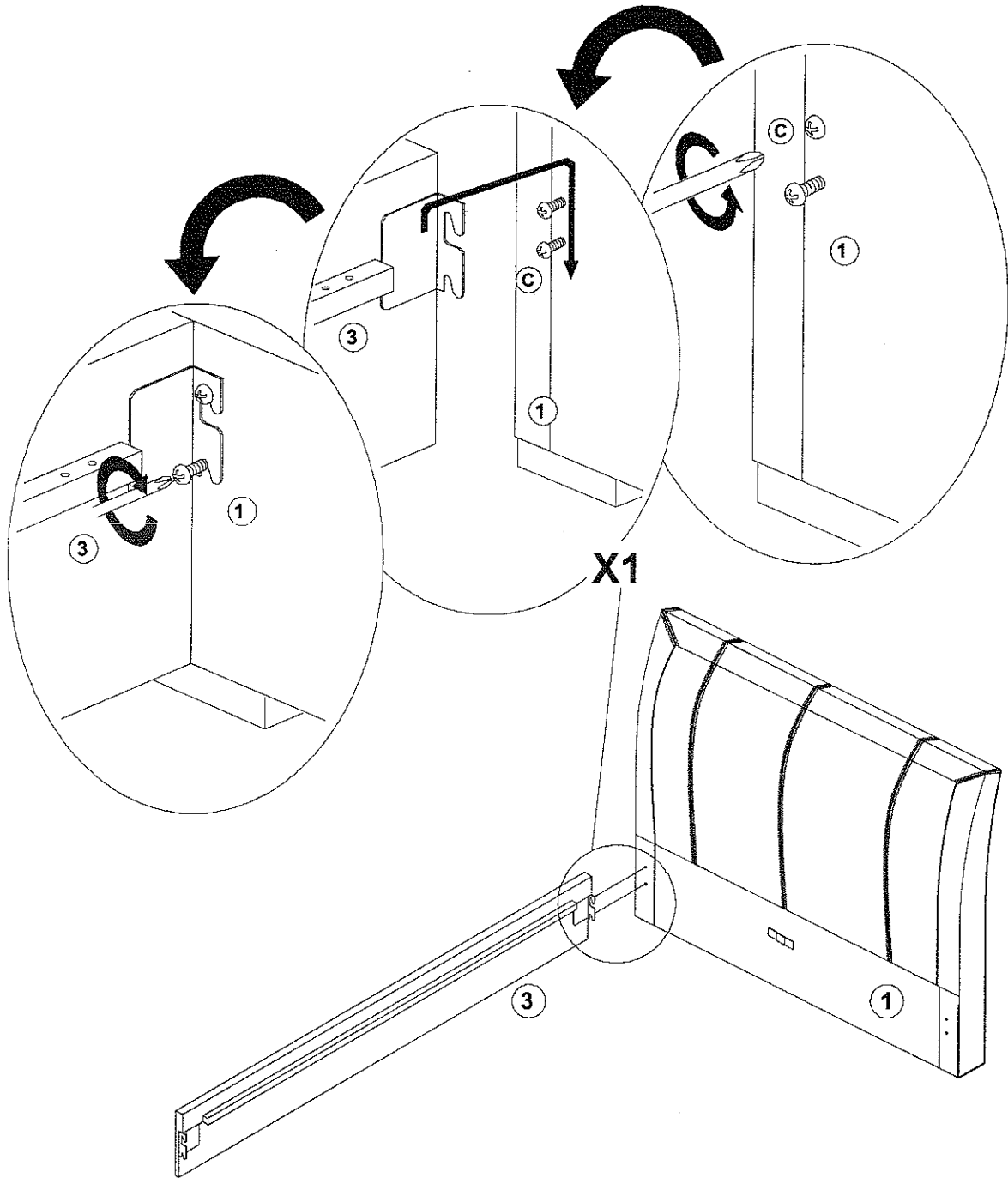
- Please periodically check all fittings and re-tighten as necessary.
- To clean your item, please use a damp cloth and wipe clean.
- Please do not jump on your furniture.
- Never allow any kind of liquid to remain on your furniture. Absorption can cause finishes to de-laminate.
- Periodically check the condition of your bed slats and plastic locating caps to ensure they are in good condition and have not become loose.
- This is very important when moving your bed. It is best to lift the bed, and never to drag it.

DESCRIPTION:

STANTON SLIM TV BED

1

Step 1

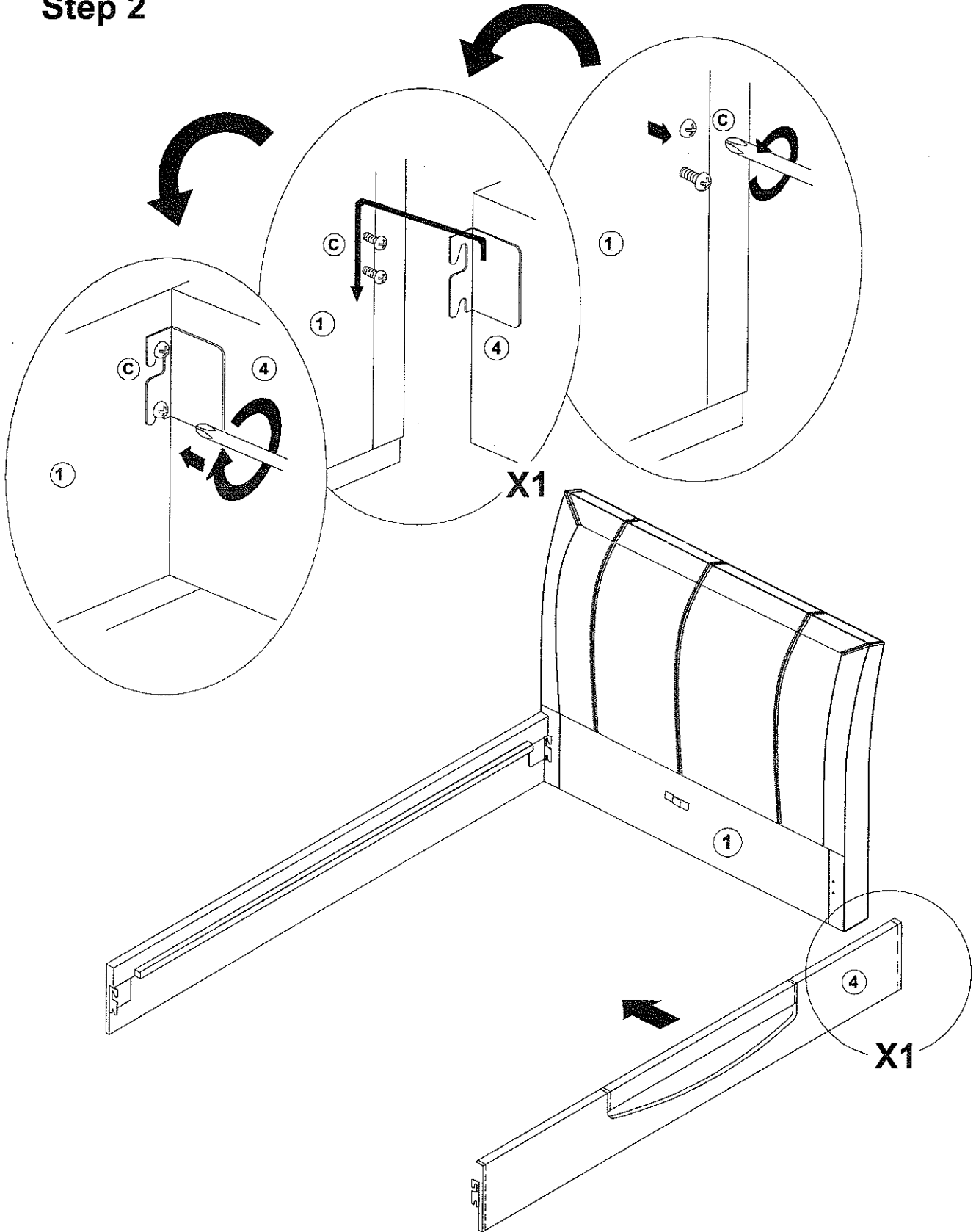


DESCRIPTION:

STANTON SLIM TV BED

1

Step 2



DESCRIPTION:

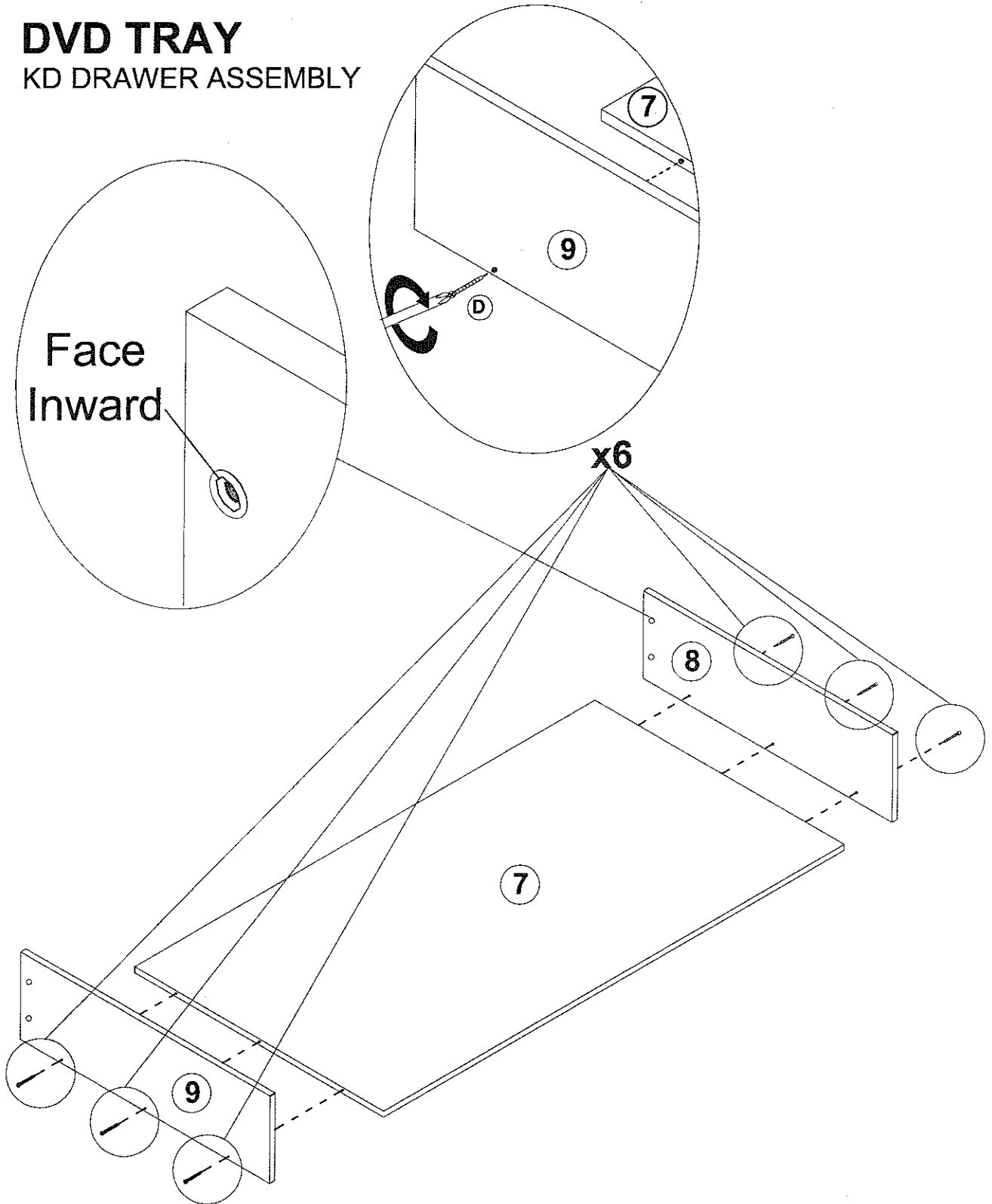
STANTON SLIM TV BED

1

Step 3

DVD TRAY

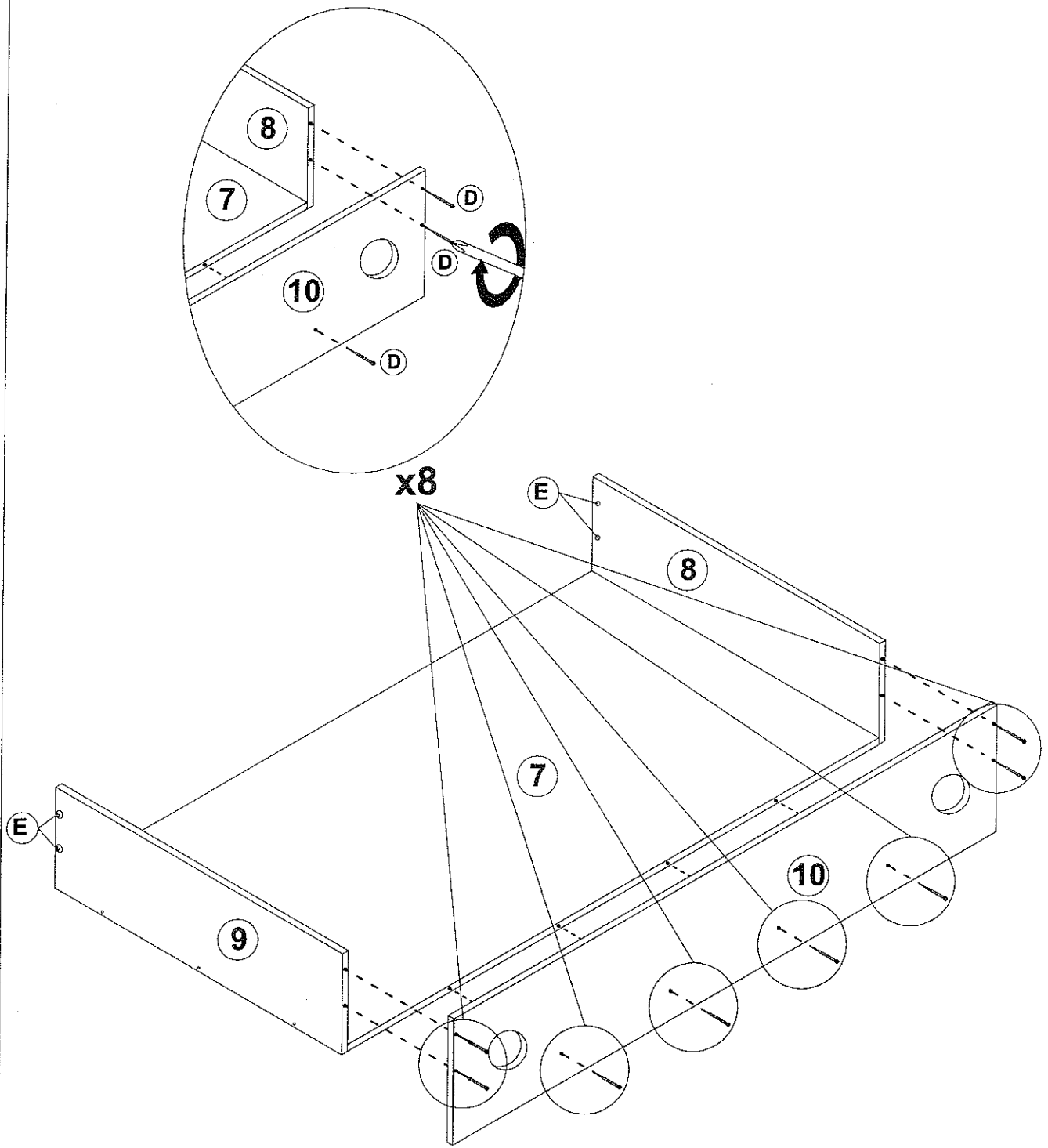
KD DRAWER ASSEMBLY



DESCRIPTION:
STANTON SLIM TV BED

1

Step 4



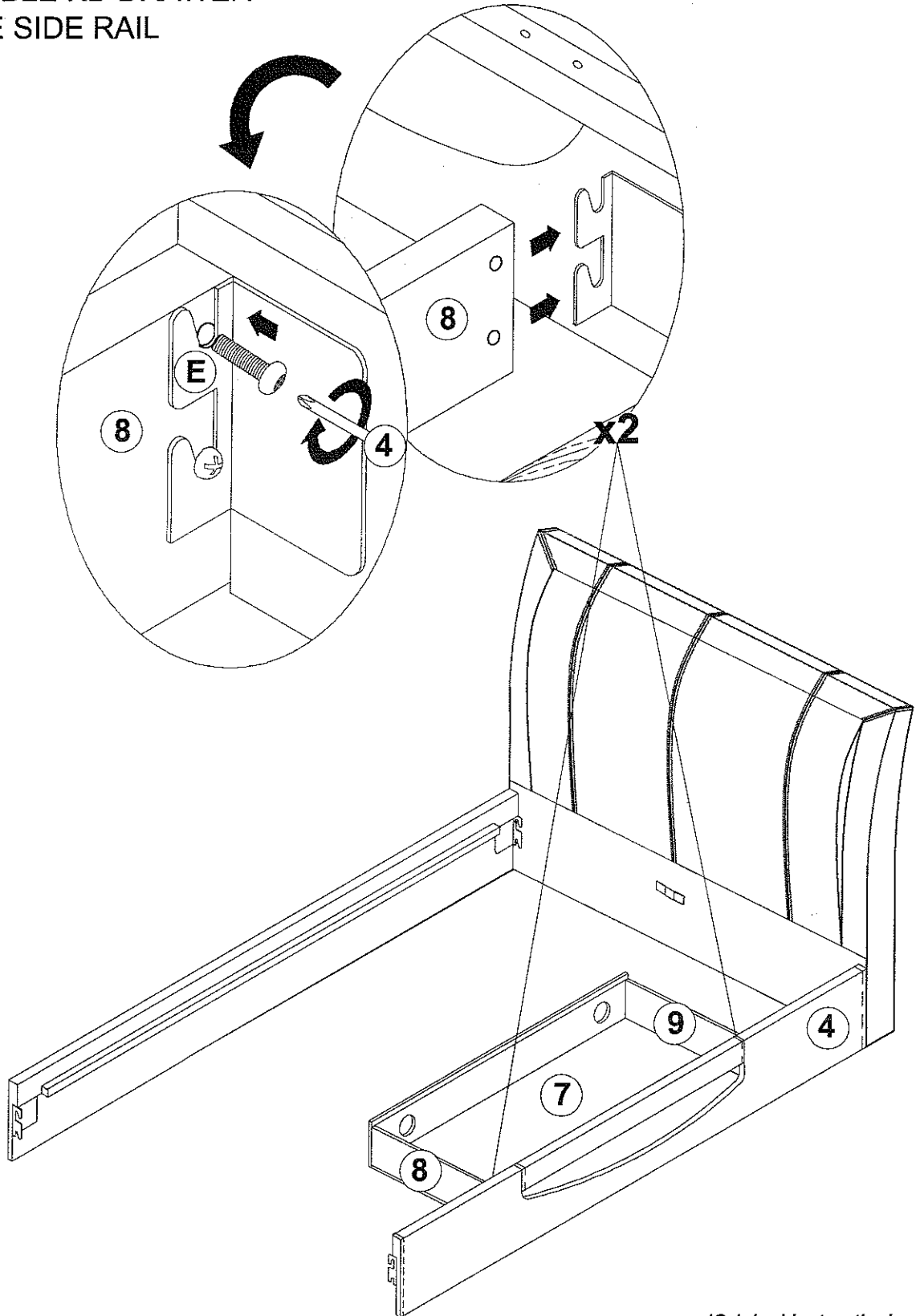
DESCRIPTION:

STANTON SLIM TV BED

1

Step 5

ASSEMBLE KD DRAWER
TO THE SIDE RAIL

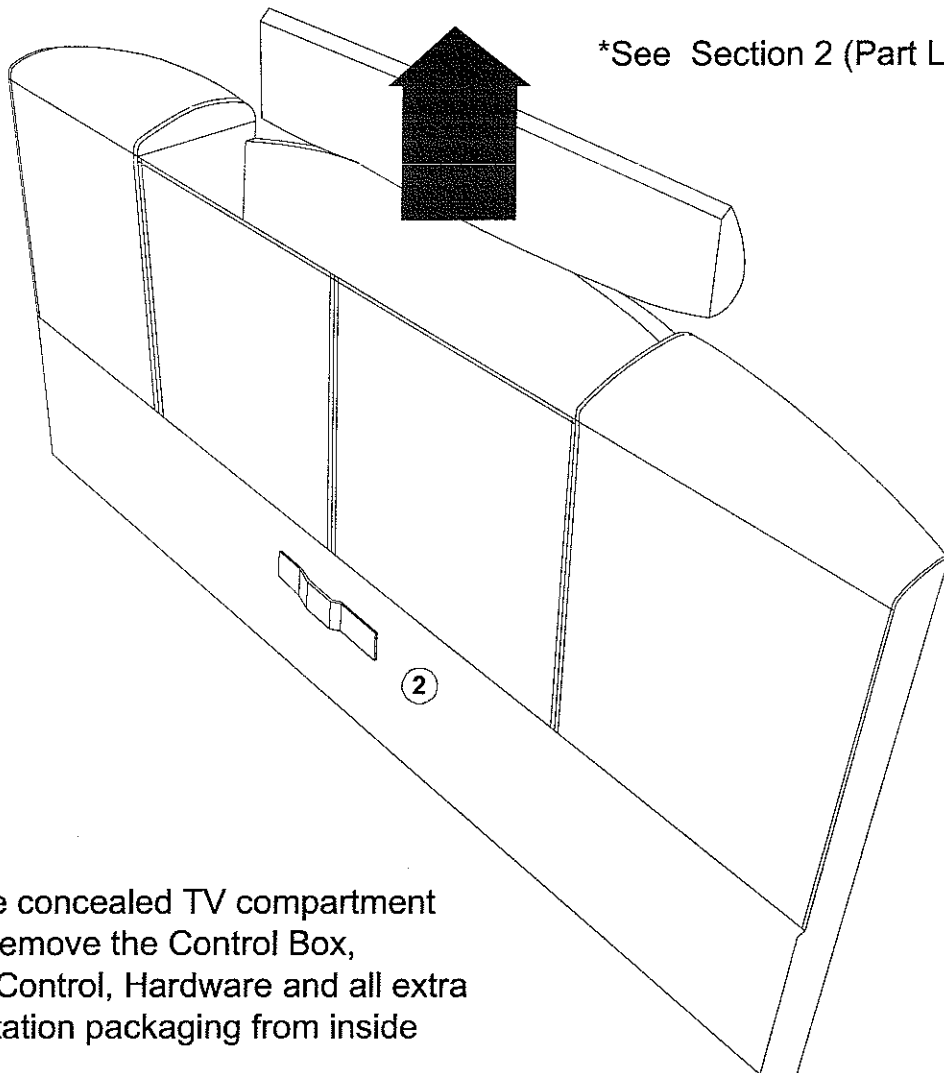
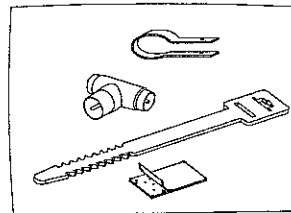
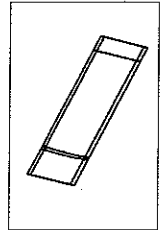
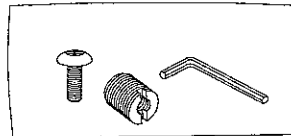
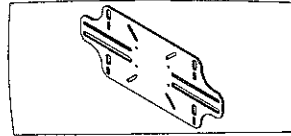
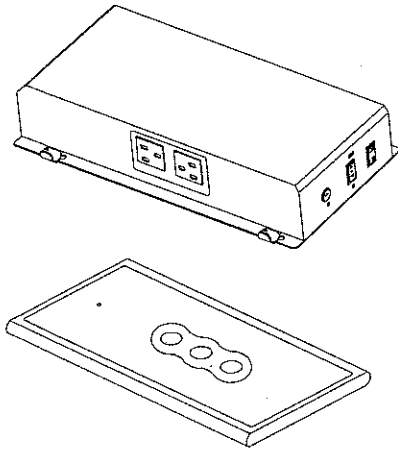


DESCRIPTION:

STANTON SLIM TV BED

1

Step 6



*See Section 2 (Part List) for detail

Open the concealed TV compartment Lid and remove the Control Box, Remote Control, Hardware and all extra transportation packaging from inside

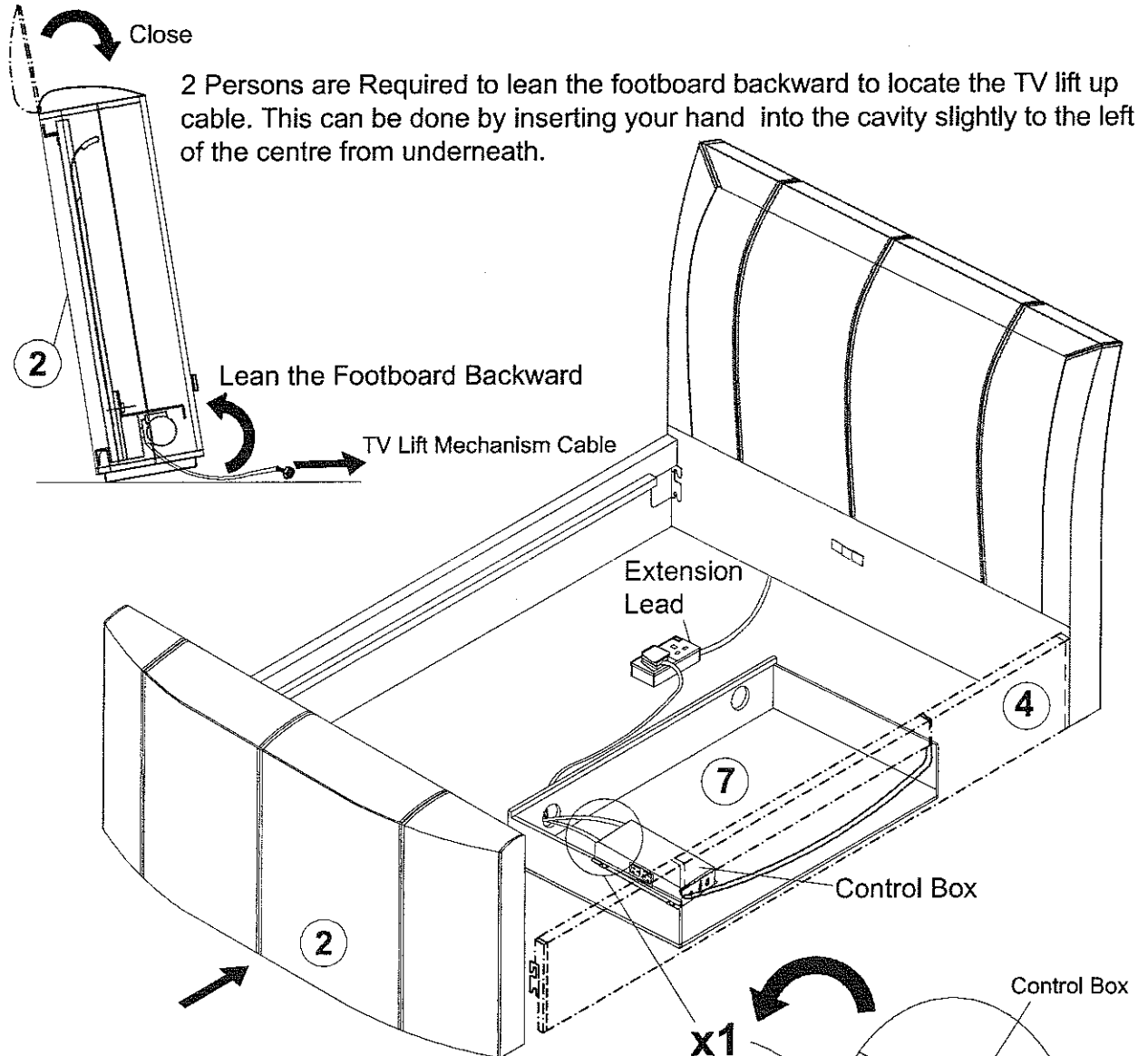
DESCRIPTION:

STANTON SLIM TV BED

1

Step 7

TV Lift-Up Mechanism Setup



1. Move the footboard near to the side rail.
2. Put the control box inside the DVD tray.
3. Connect the TV lift up mechanism cable to the control box (make sure the power on/off switch on the control box is in off position) and it is now ready to connect the control box to the main supply (extension lead might be needed).

*Please refer to section 2 for Connection Plan detail

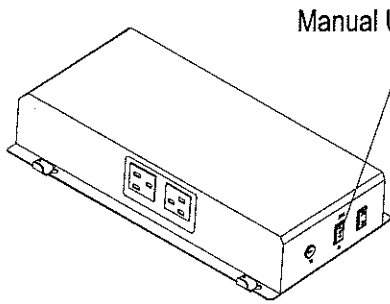
DESCRIPTION:

STANTON SLIM TV BED

1

Step 8

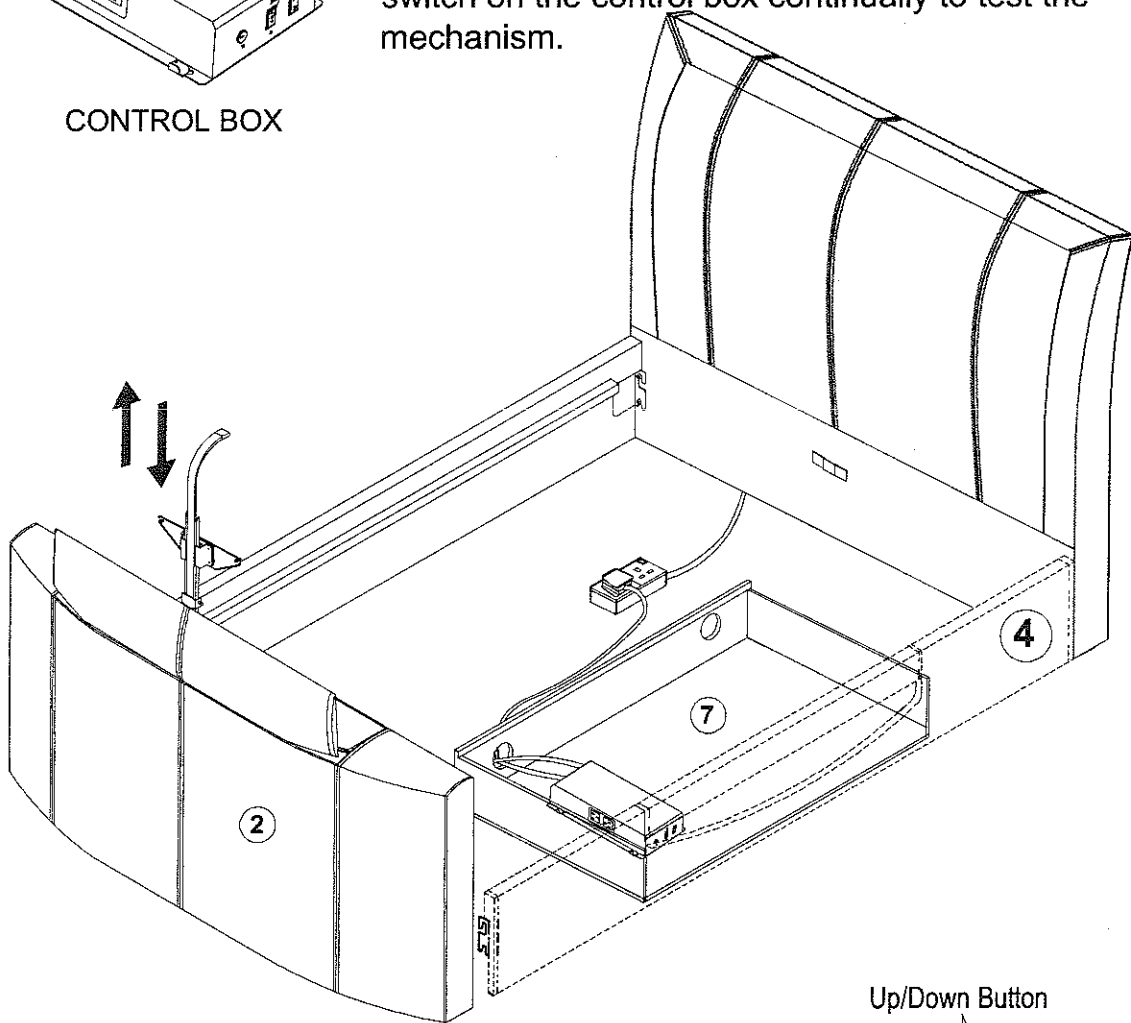
TV Lift-Up Mechanism Test



CONTROL BOX

Switch on the Main Supply

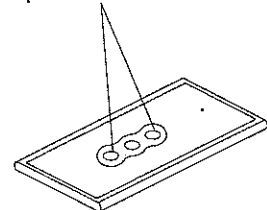
Switch the power on/off switch to the on position. Lift the mechanism up by press the manual up/down switch on the control box continually to test the mechanism.



Then lift the mechanism up to its full extent again by the remote control (already synchronized) to install the TV. If the TV mechanism cannot operate by the remote, please refer to section 3 to troubleshoot.

* Please refer to section 3 for Control Box and Remote Control detail.

Up/Down Button



REMOTE CONTROL

DESCRIPTION:

STANTON SLIM TV BED

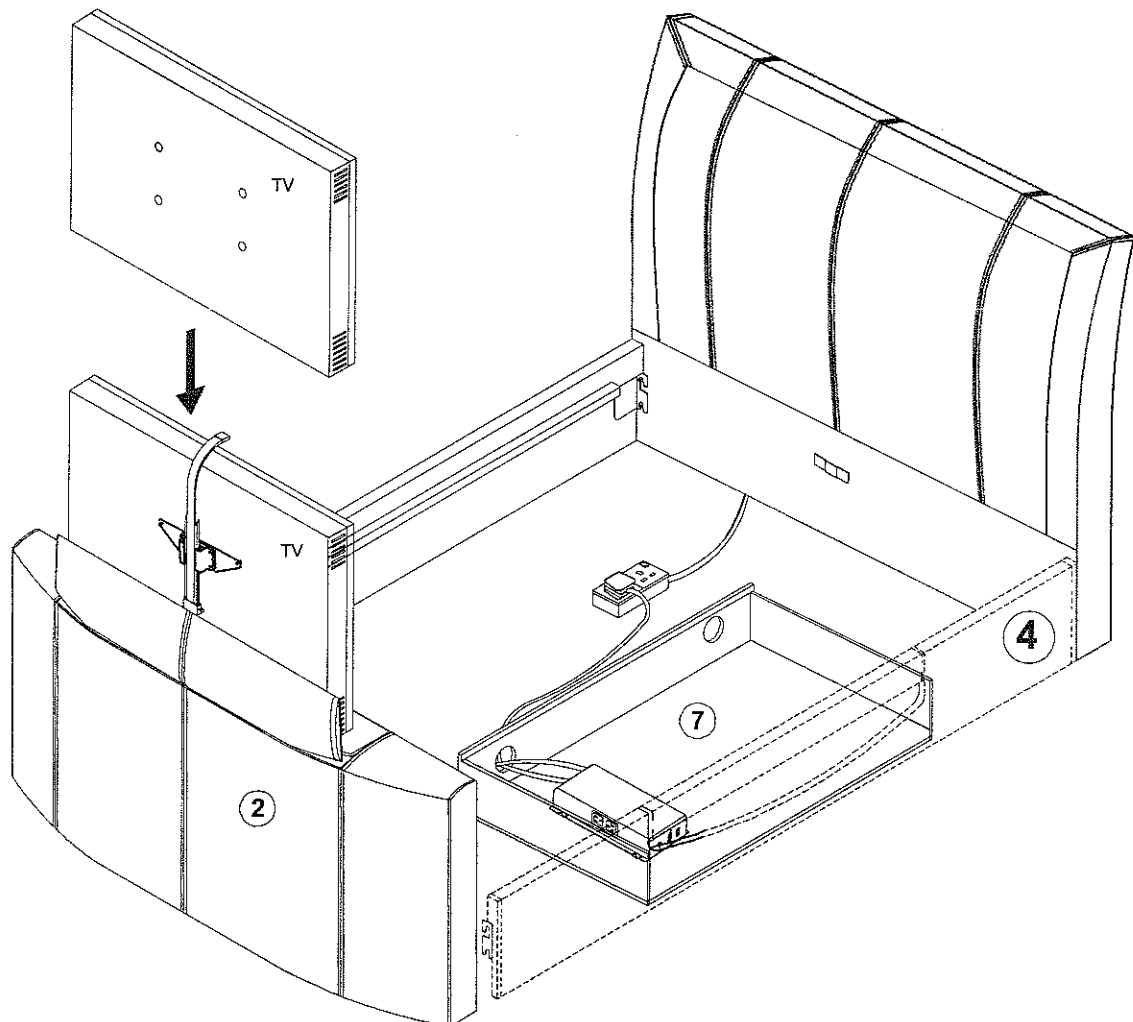
1

Step 9

TV Installation

Place the TV on the upholstered TV Tray standing behind the footboard facing towards the headboard.

Centralise the TV on the TV Tray and slide the spring loaded TV Mounting Bracket to locate the screw holes in the back of the TV.



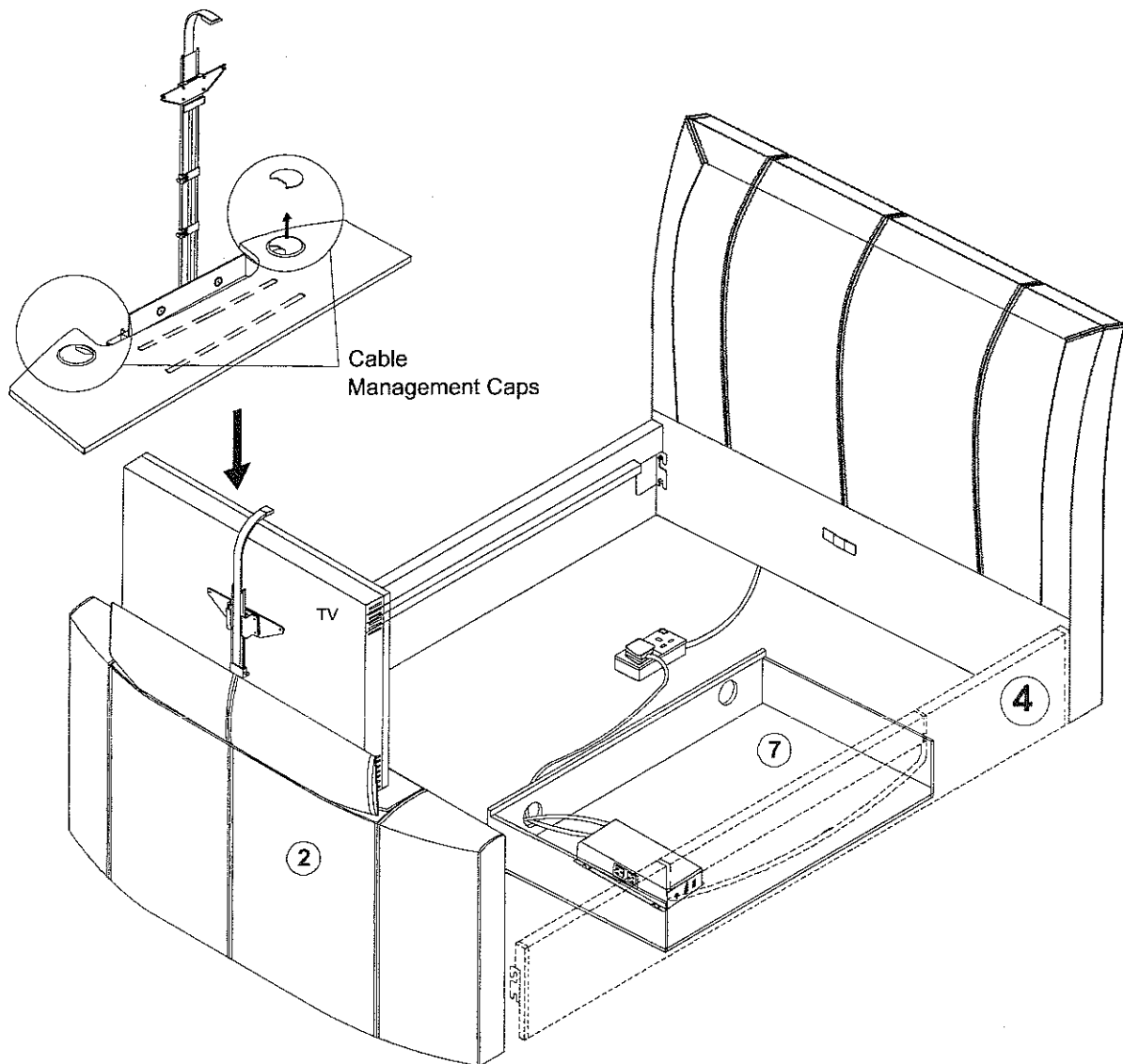
Attach TV using the appropriate screws and adjust the curve sliding vertical arm to sit neatly on top of the TV.

* Please refer to Section 2 (Step 4) for detail.

DESCRIPTION:

STANTON SLIM TV BED

1



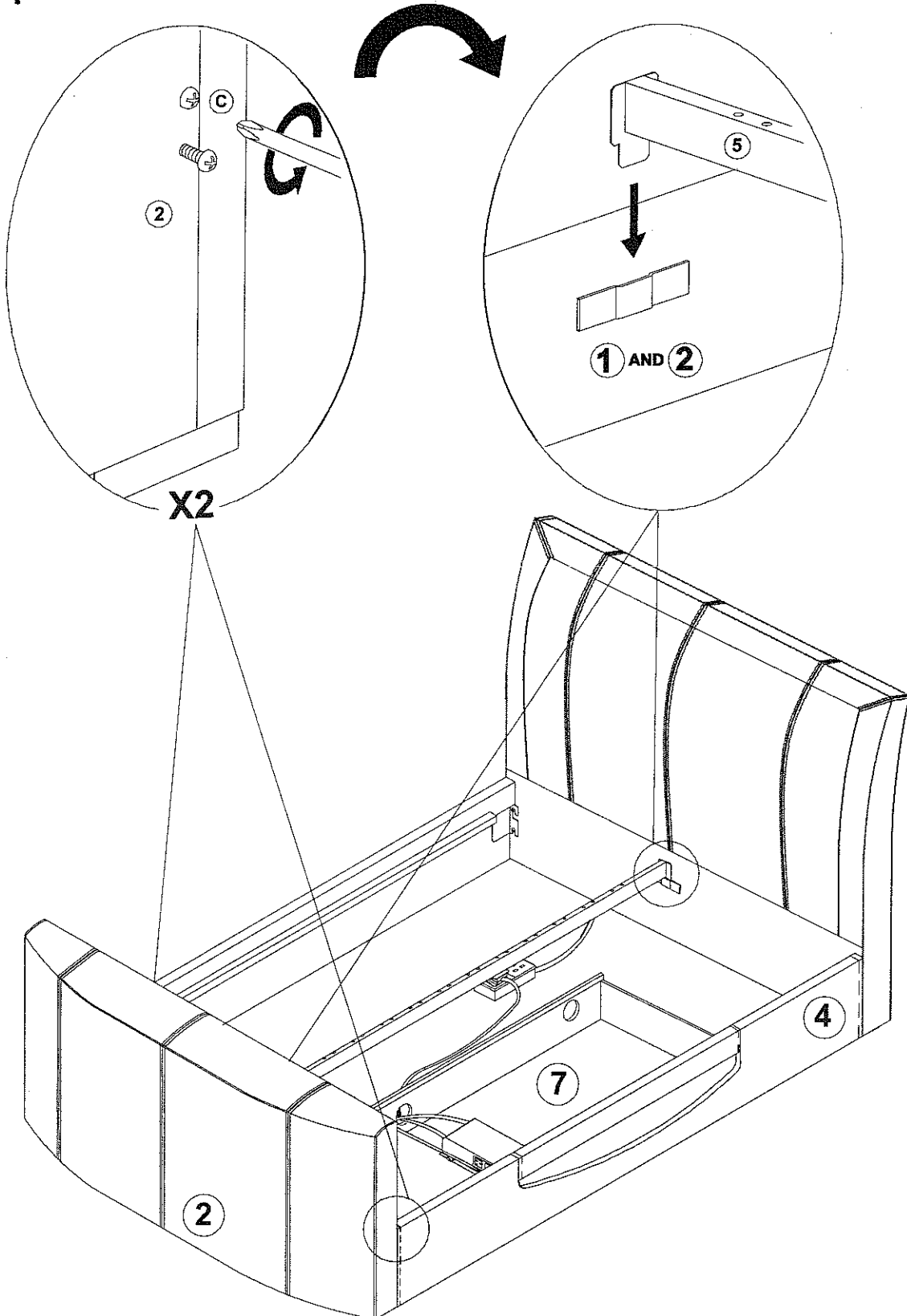
- Remove Cable Management caps from TV Tray, attach the TV cable to the TV and drop down through the cable management hole located on the right or left of the TV Tray, Repeat this action with all auxiliary cables(eg. Aerial cable). Replace cable management caps. Please refer to Section 2 (Step 6) for detail.
- 2 persons are required to lean the Footboard back carefully (1 person needed to support the TV and the footboard from behind) to locate the TV cable from underneath (repeat step 7).
- Switch off the power on/off switch at the control box. Insert the TV plug into the 3 pin socket on the side of control box (refer Section 3 for detail). Switch on the power on/off switch at the control box. You can also check your TV connection to ensure it is working.
- Move the TV Lift Up Mechanism down into the footboard and then assemble the side rail.

DESCRIPTION:

STANTON SLIM TV BED

1

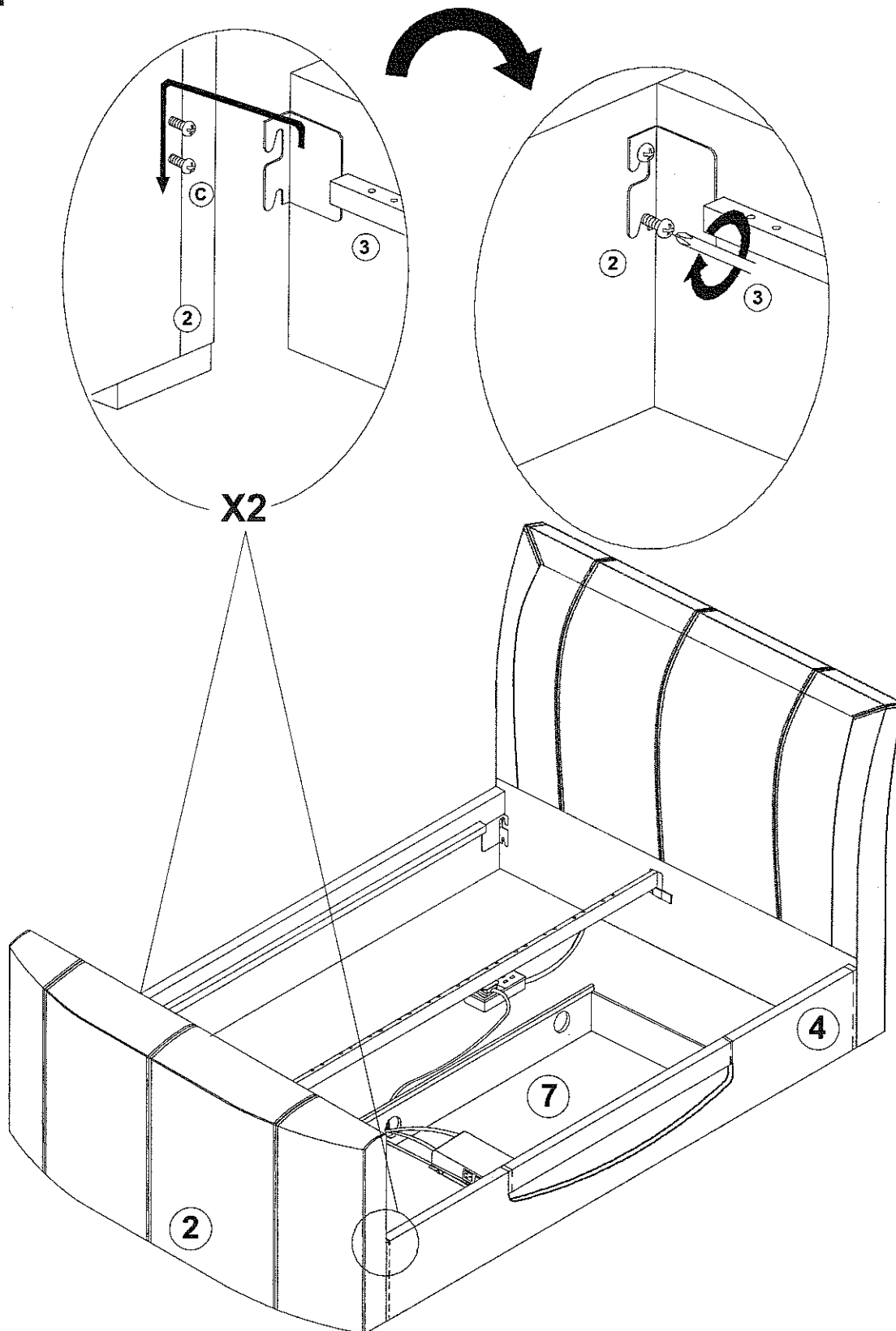
Step 10



DESCRIPTION:
STANTON SLIM TV BED

1

Step 11

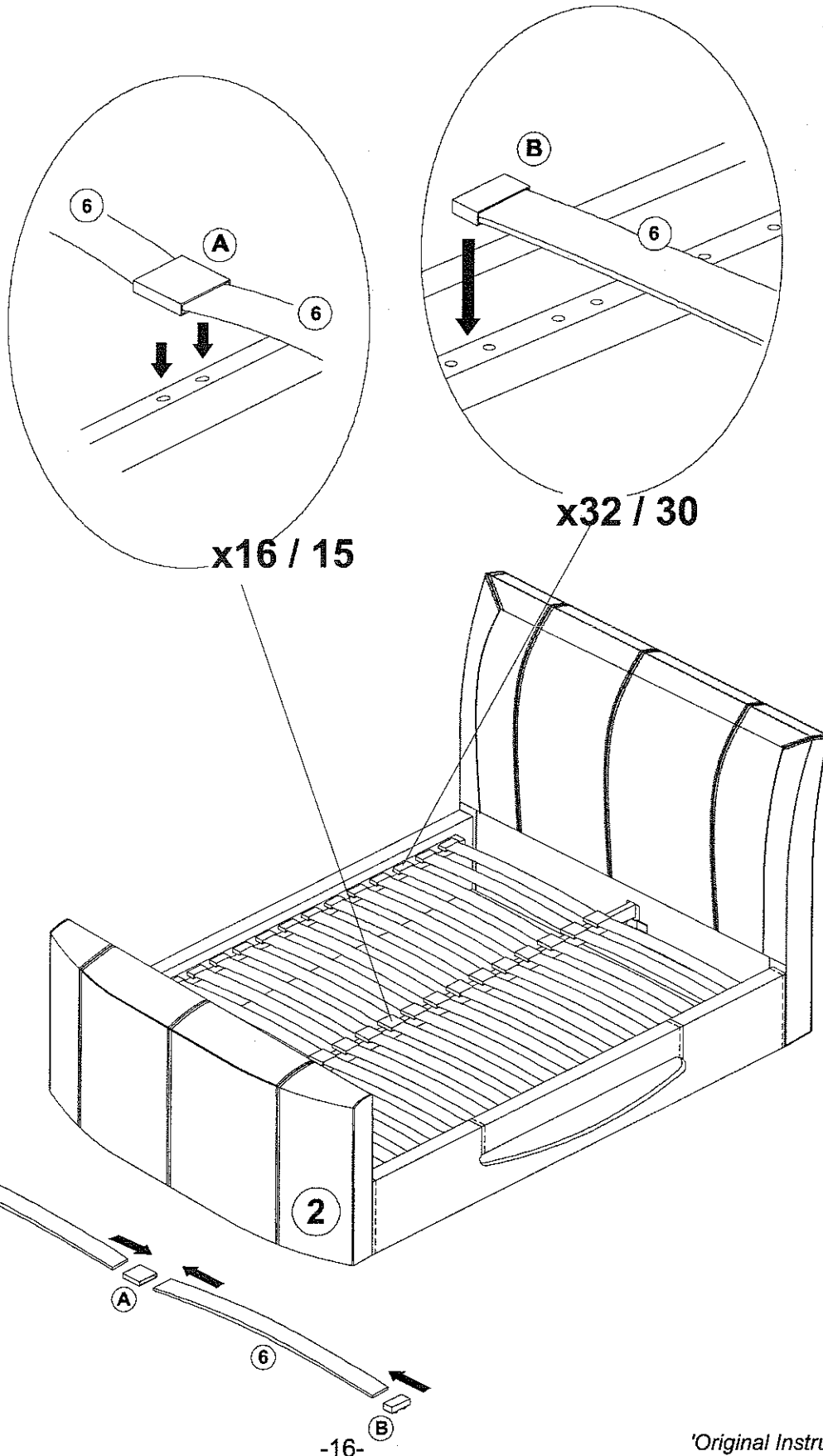


DESCRIPTION:

STANTON SLIM TV BED

1

Step 12



DESCRIPTION:

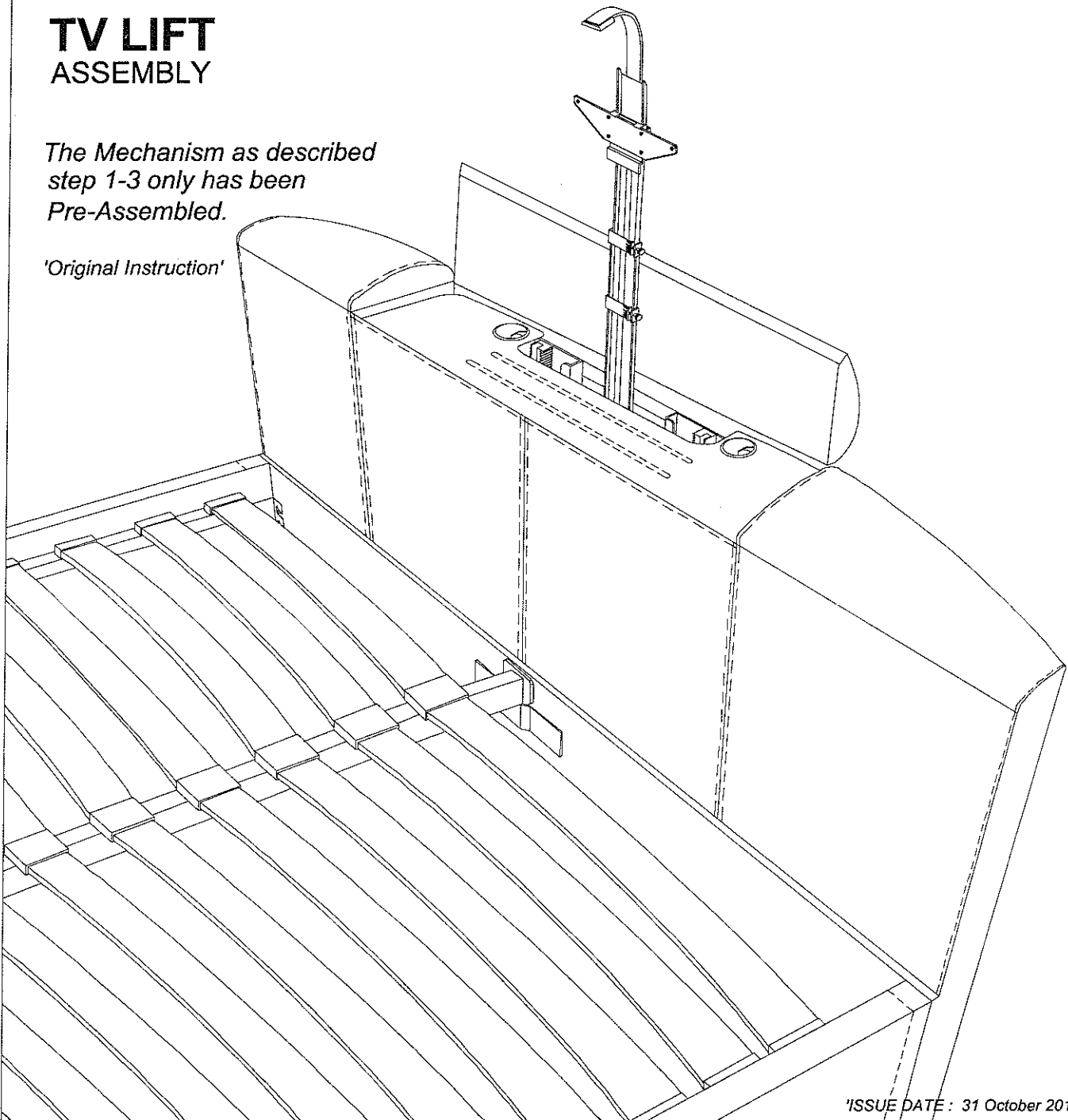
STANTON SLIM TV BED

2

TV LIFT ASSEMBLY

*The Mechanism as described
step 1-3 only has been
Pre-Assembled.*

'Original Instruction'



'ISSUE DATE : 31 October 2012'

WARNING !

Read this manual before installation. Operating your pop-up furniture improperly will be hazardous and will void the warranty.

ATTENTION! PLEASE NOTE:

In the event you are experiencing any technical difficulties and you require additional assistance/ support with your product 'Mechanical/ Electrical' function - Please visit <http://furnitureinnovation.freshdesk.com>

DESCRIPTION:

STANTON SLIM TV BED

2

PARTS LIST

NO. DESCRIPTION

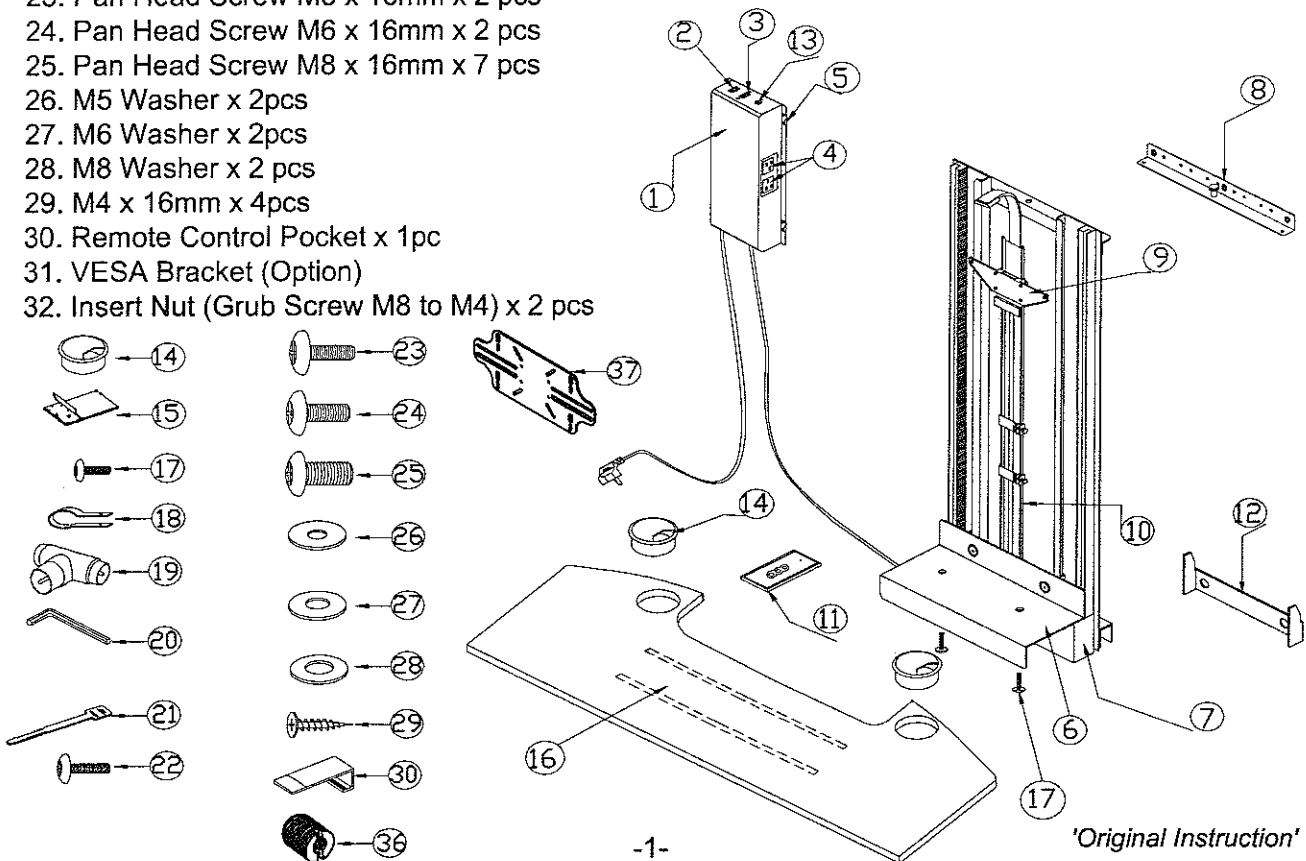
- 1. Control Box
- 2. Manual Up/Down Switch
- 3. Power ON/OFF Switch
- 4. Power Outlet
- 5. Padlock for Control Box
- 6. TV Platform
- 7. Main Assembly
- 8. Upper Hanging Bracket for Assembly
- 9. TV Mounting Bracket
- 10. Sliding Plate for Vertical Arm
- 11. Remote Control - Radio Frequency (RF)
- 12. Lower Hanging Bracket for Main Assembly
- 13. Current Fuse
- 14. Cable Management Caps x 2 pcs
- 15. Rubber Pad x 4pcs
- 16. TV Tray
- 17. Machine Screw M4 x 12mm x 2 pcs
- 18. Cable Clip 4 Pc - Use to fix wire
- 19. Aerial Connection X 1pc
- 20. Allen Key 1Pc - Use to adjust Main Assembly
- 21. Cable Ties 4 Pcs - for use to fix cable / wire
- 22. Pan Head Screw M4x 16mm x 2 pcs
- 23. Pan Head Screw M5 x 16mm x 2 pcs
- 24. Pan Head Screw M6 x 16mm x 2 pcs
- 25. Pan Head Screw M8 x 16mm x 7 pcs
- 26. M5 Washer x 2pcs
- 27. M6 Washer x 2pcs
- 28. M8 Washer x 2 pcs
- 29. M4 x 16mm x 4pcs
- 30. Remote Control Pocket x 1pc
- 31. VESA Bracket (Option)
- 32. Insert Nut (Grub Screw M8 to M4) x 2 pcs

* All of the parts and bolts were packed in Carton B

** The Part List include the bolts that has been inserted into the frame;

THE BOLTS INSERTED INTO THE FRAME		
17.	Machine Screw M4 x 12mm	2 pcs
25.	Pan Head Screw M8 x 16mm	5 pcs
29.	M4 X 16mm	4 pcs

REFER TO SECTION 3 PAGE 9
 KF2802 SPARE PARTS IDENTIFICATION SHEET,
 WHEN ORDER THE SPARE PARTS.

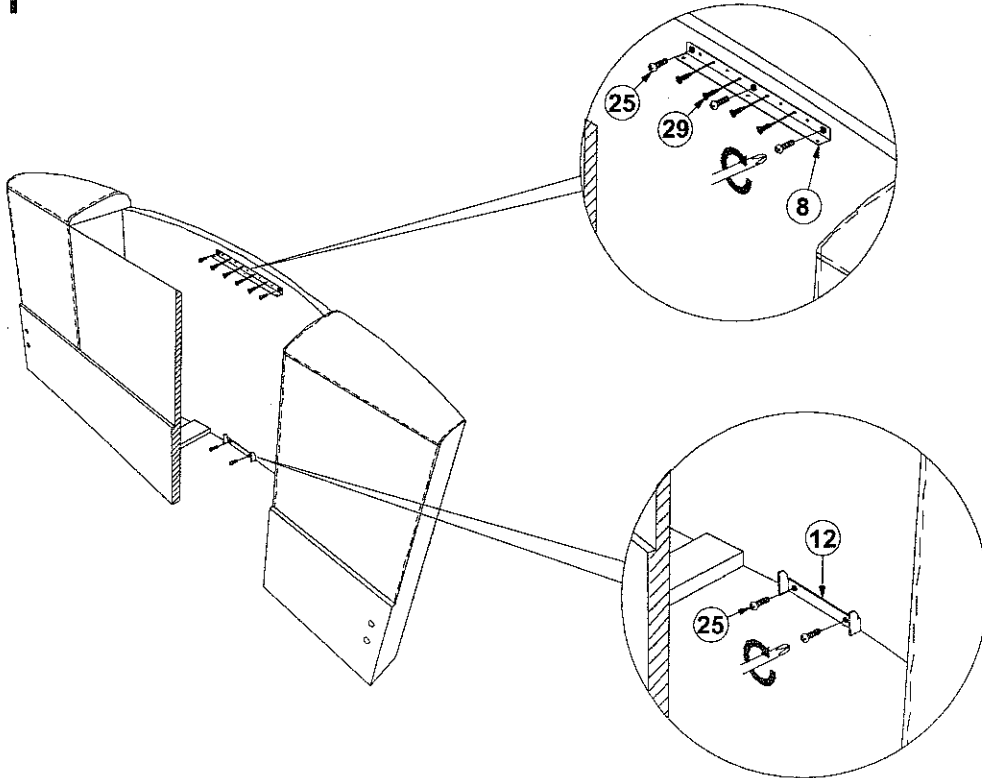


DESCRIPTION:

STANTON SLIM TV BED

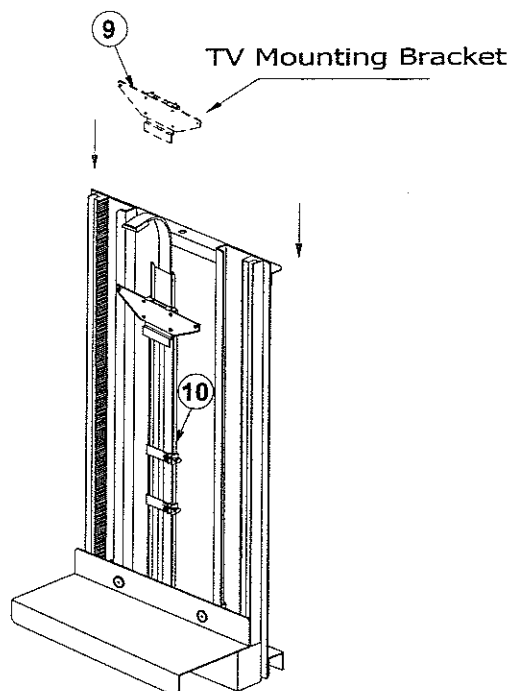
2

Step 1



Use M8 x 16mm (25) and M4 x 16mm Screw (29) to fix Hanging Bracket (8) & (12) on the cabinet and, Bracket should be parallel with top of cabinet wall.

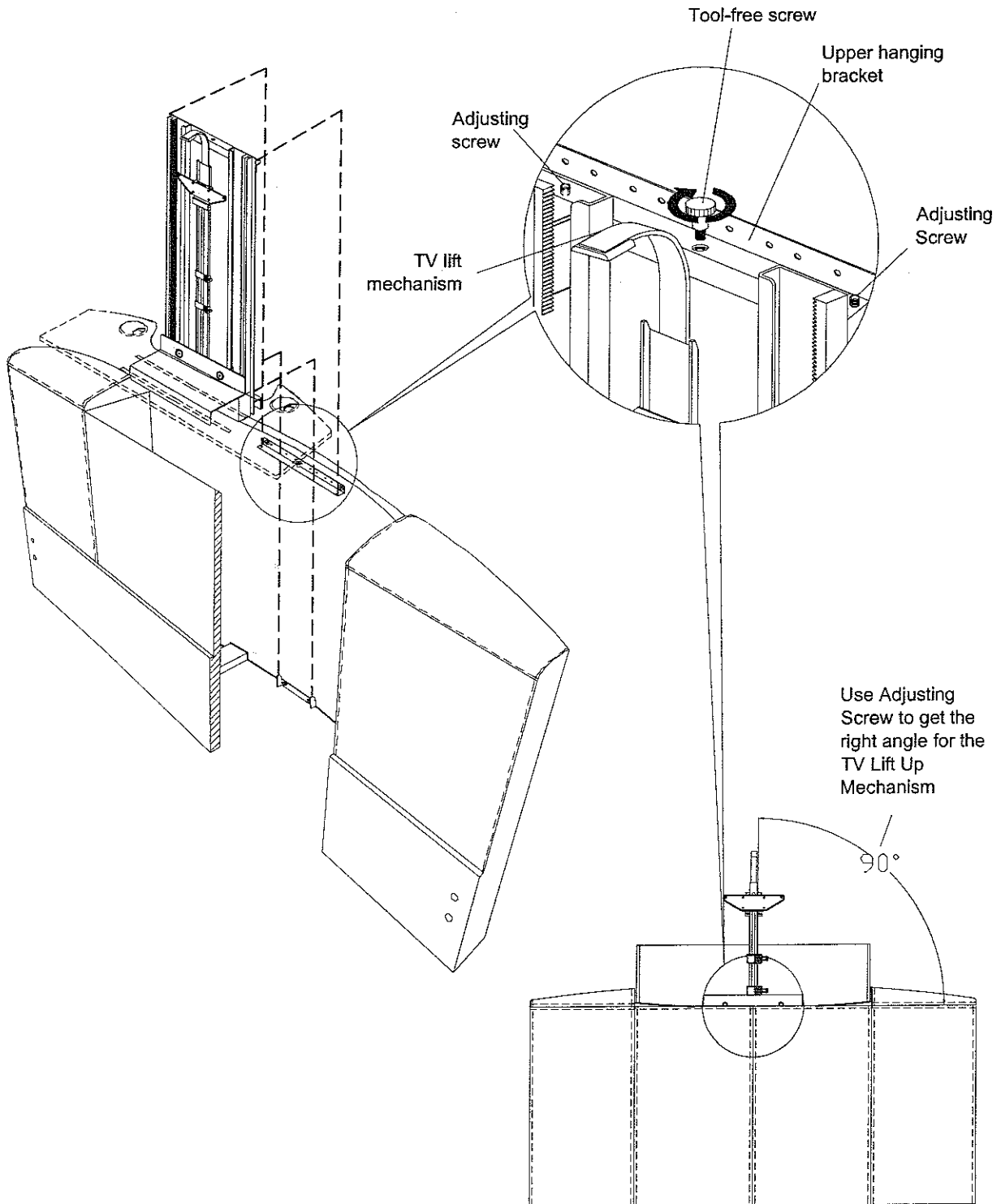
Step 2



DESCRIPTION:
STANTON SLIM TV BED

2

Step 3

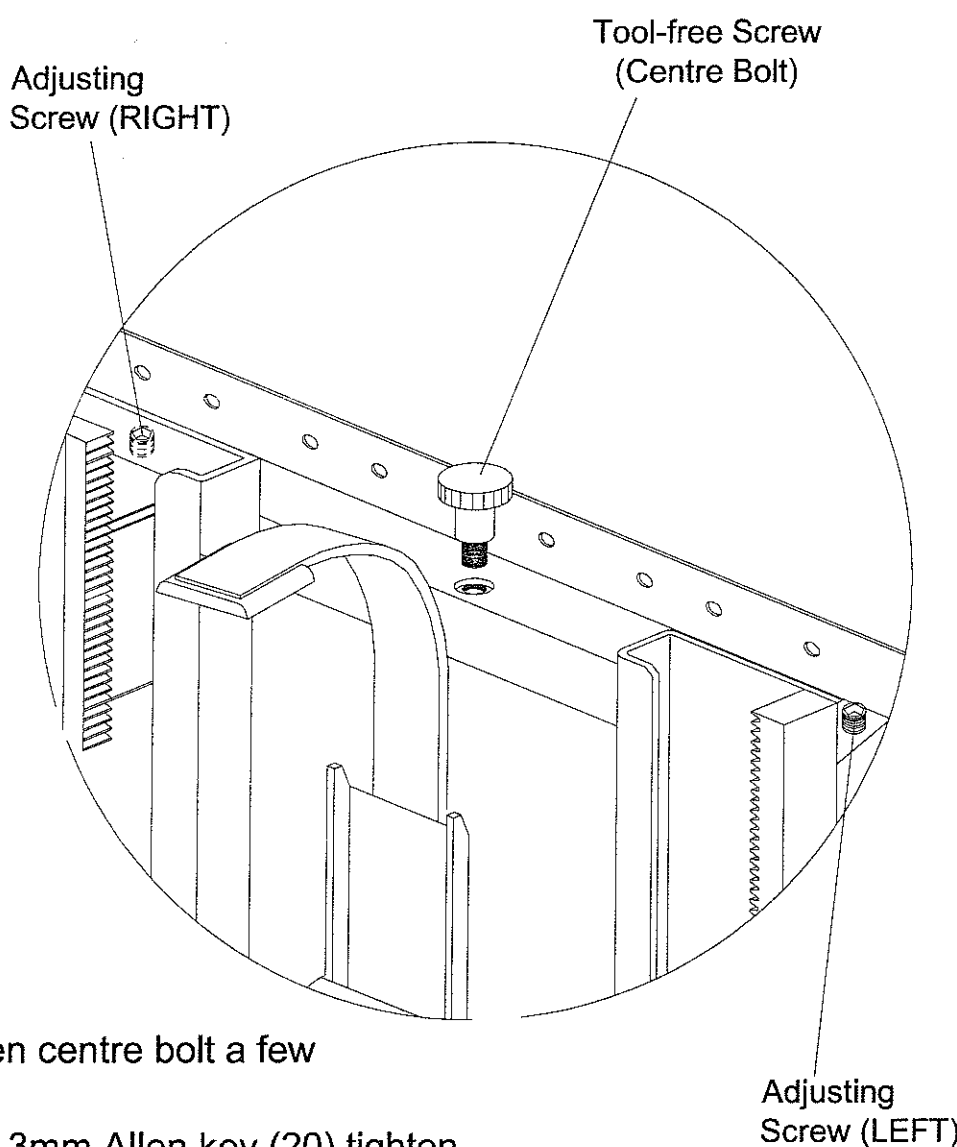


DESCRIPTION:

STANTON SLIM TV BED

2

IF THE TV OR MECHANISM IS TILTING TO THE LEFT OR RIGHT
WHILST YOU FACE THE TV, FOLLOW THE STEPS BELOW TO
RECTIFY THE TILT



- 1: Loosen centre bolt a few turns
- 2: Use a 3mm Allen key (20) tighten the screw in. tightening this will adjust the mechanism to tilt to the RIGHT or LEFT (TV facing View)
- 3: Tighten centre bolt

DESCRIPTION:

STANTON SLIM TV BED

2

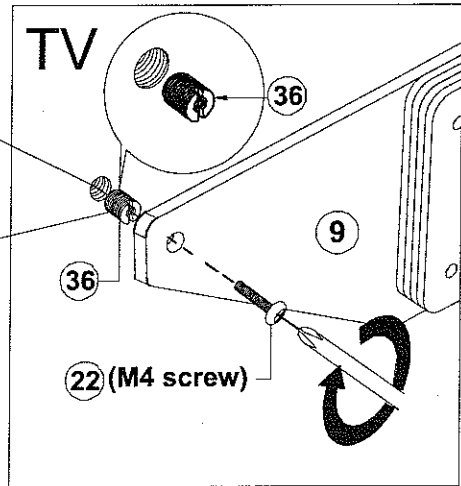
Step 4 TV Mounting Bracket (9)

M8 or M6 Hole With Thread

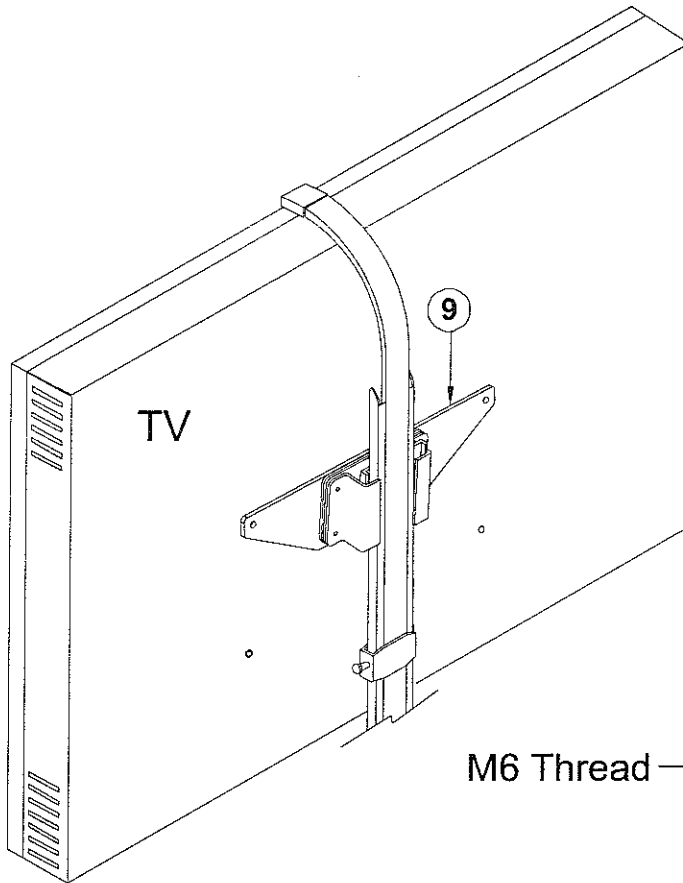
Insert Nut (36)

Internal Size: M4 x 0.7

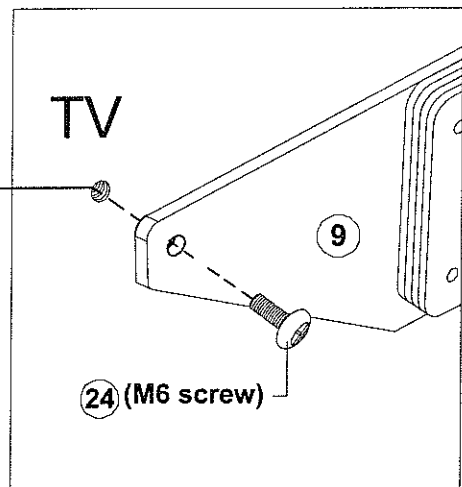
External Size: M8 x 1.25



For M8 screw hole (TV)



M6 Thread

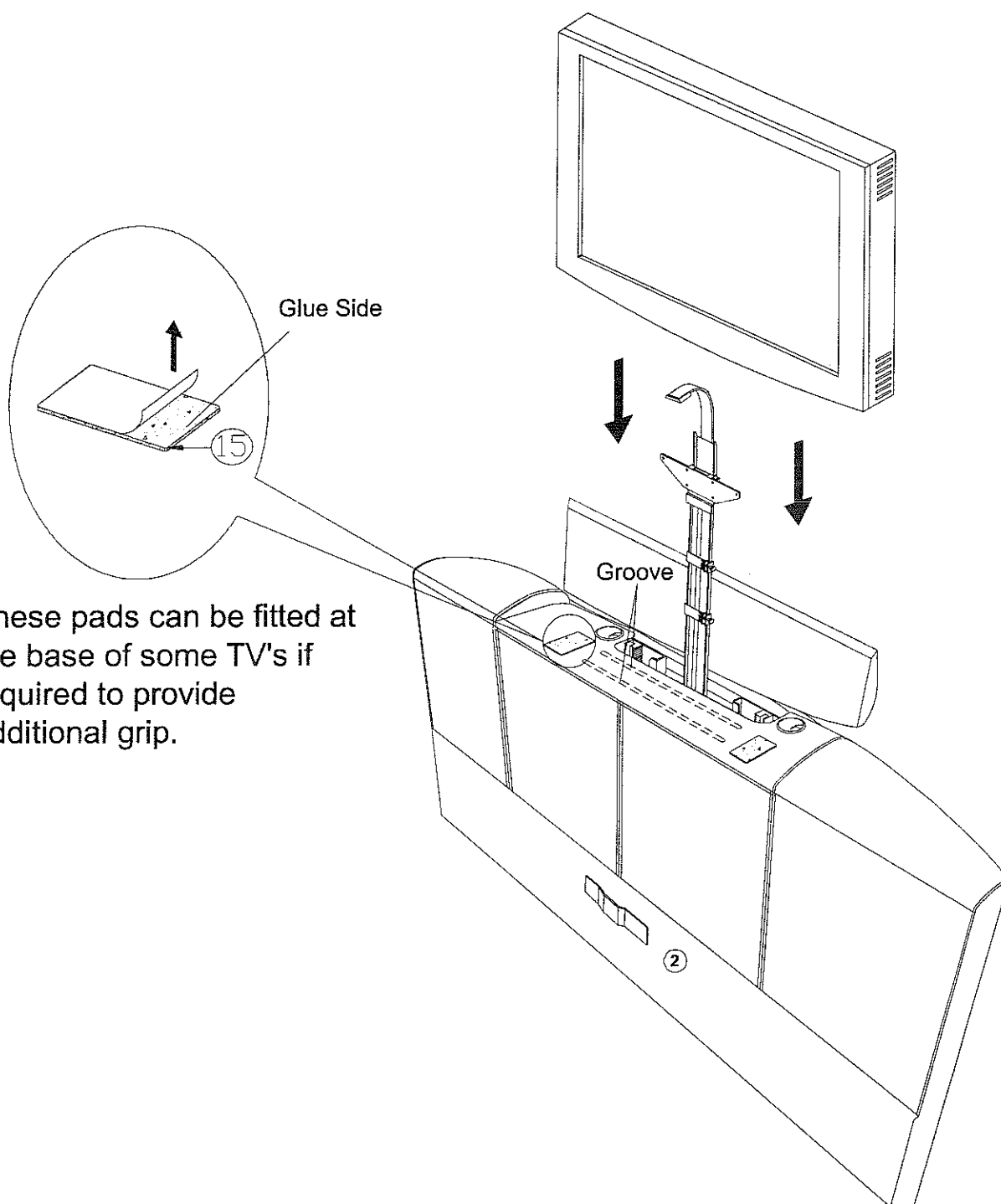


For M6 screw hole (TV)

DESCRIPTION:
STANTON SLIM TV BED

2

Step 5

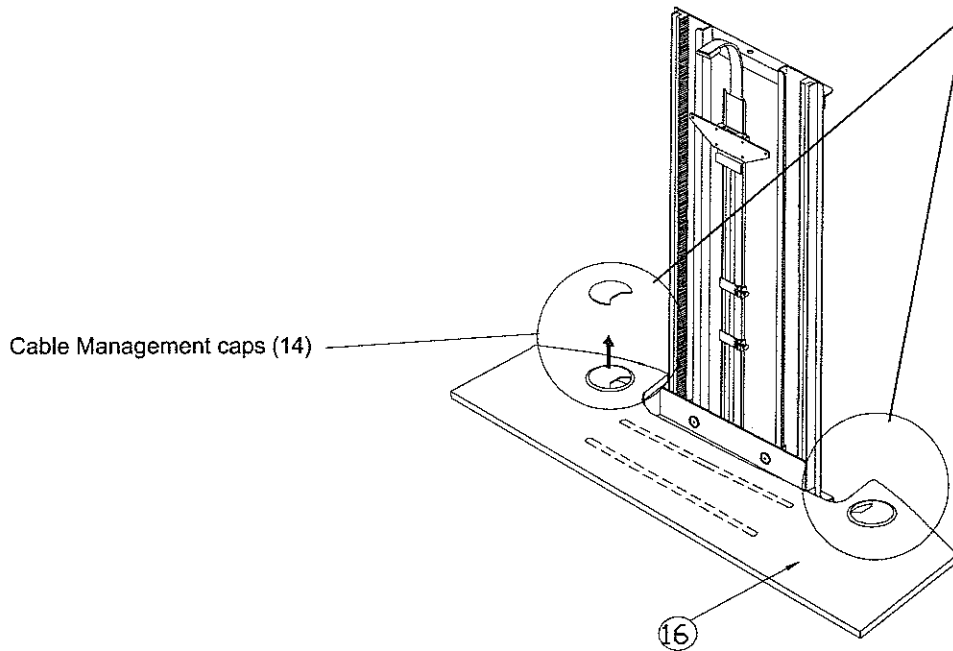
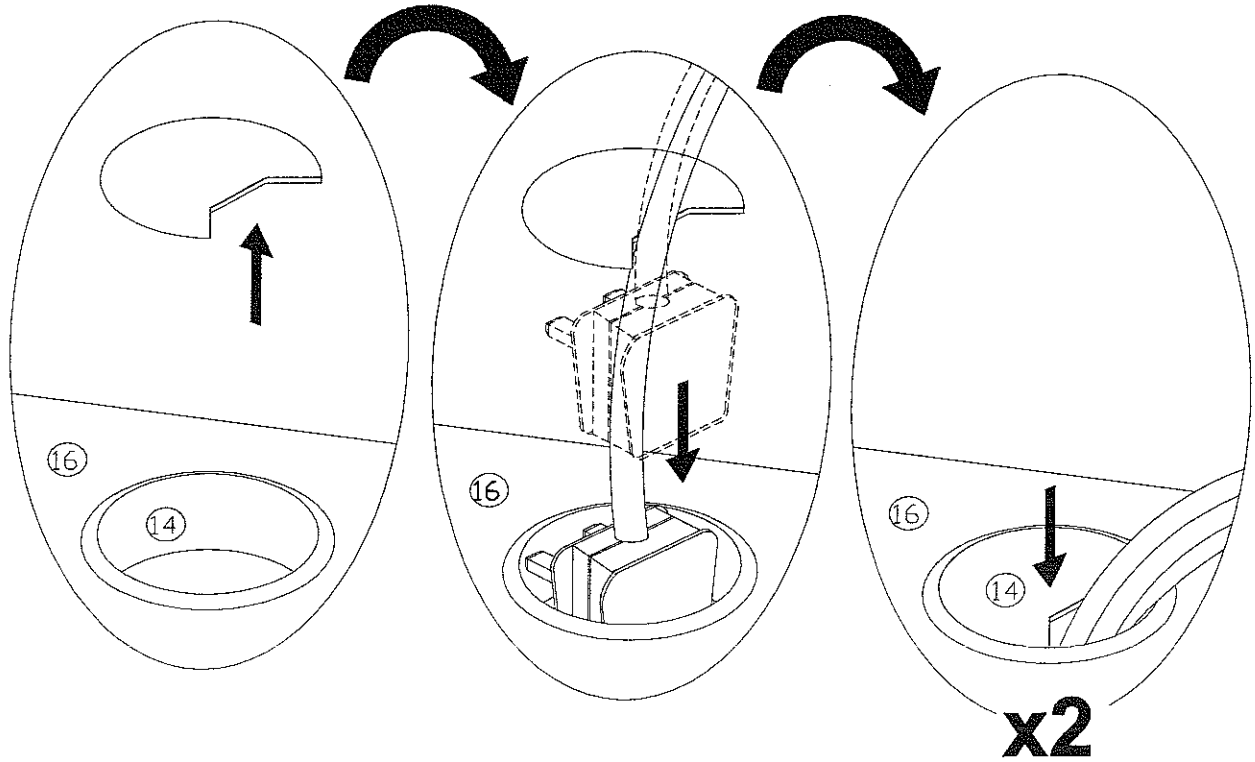


These pads can be fitted at the base of some TV's if required to provide additional grip.

DESCRIPTION:
STANTON SLIM TV BED

2

Step 6



The cable management caps are removable types to help you to manage the cable easily. Remove the center part of cable management caps (14) , insert all the grouped cable through it cleanly and replace it back into the holder.

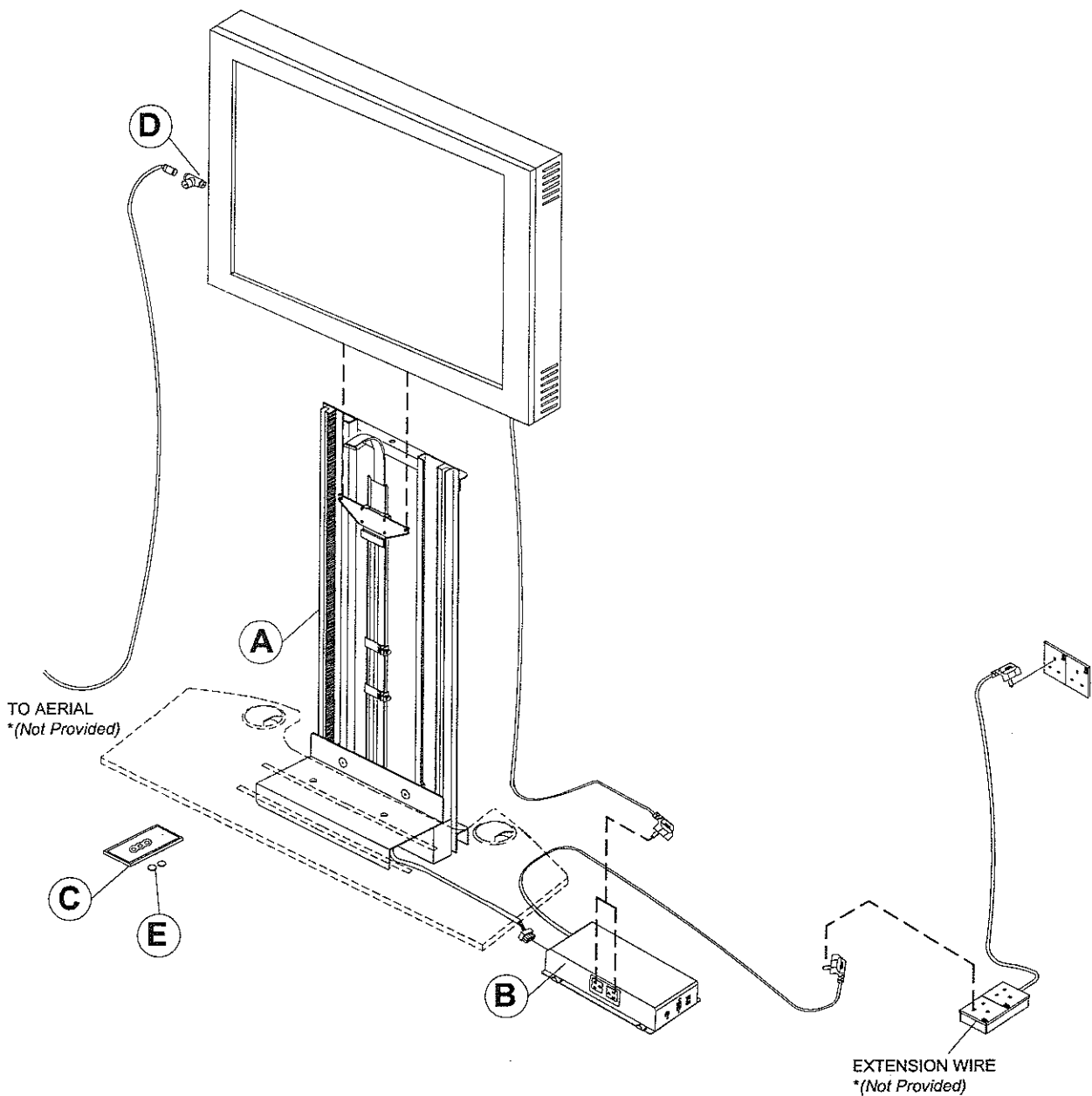
DESCRIPTION:

STANTON SLIM TV BED

2

CONNECTIONS

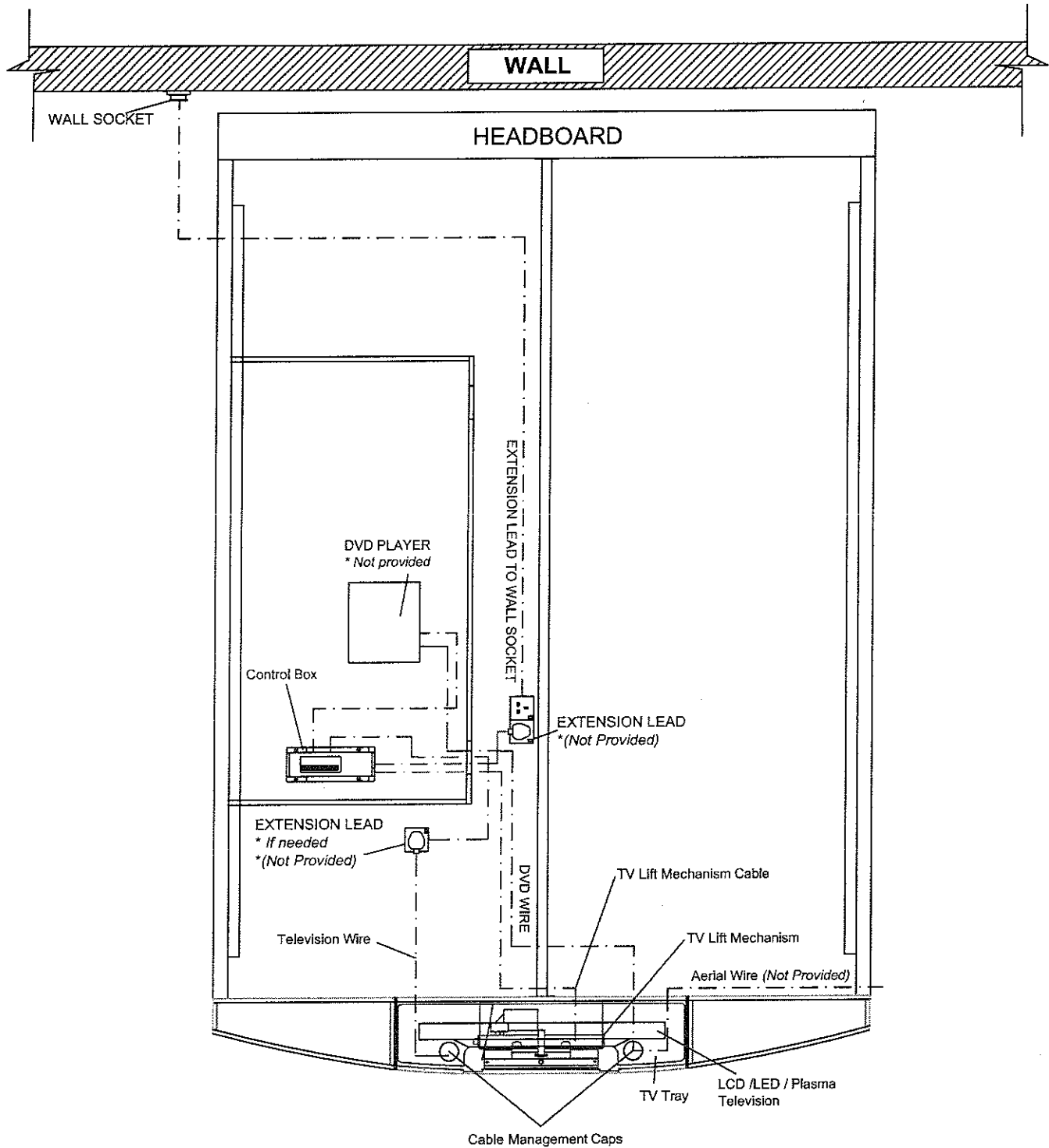
DESCRIPTION	QTY
A TV LIFT MECHANISM	1
B CONTROL BOX	1
C RF REMOTE CONTROL	1
D 3 WAY ADAPTOR (AERIAL)	1
E BATTERY (CR2025 3V)	2



DESCRIPTION:
STANTON SLIM TV BED

2

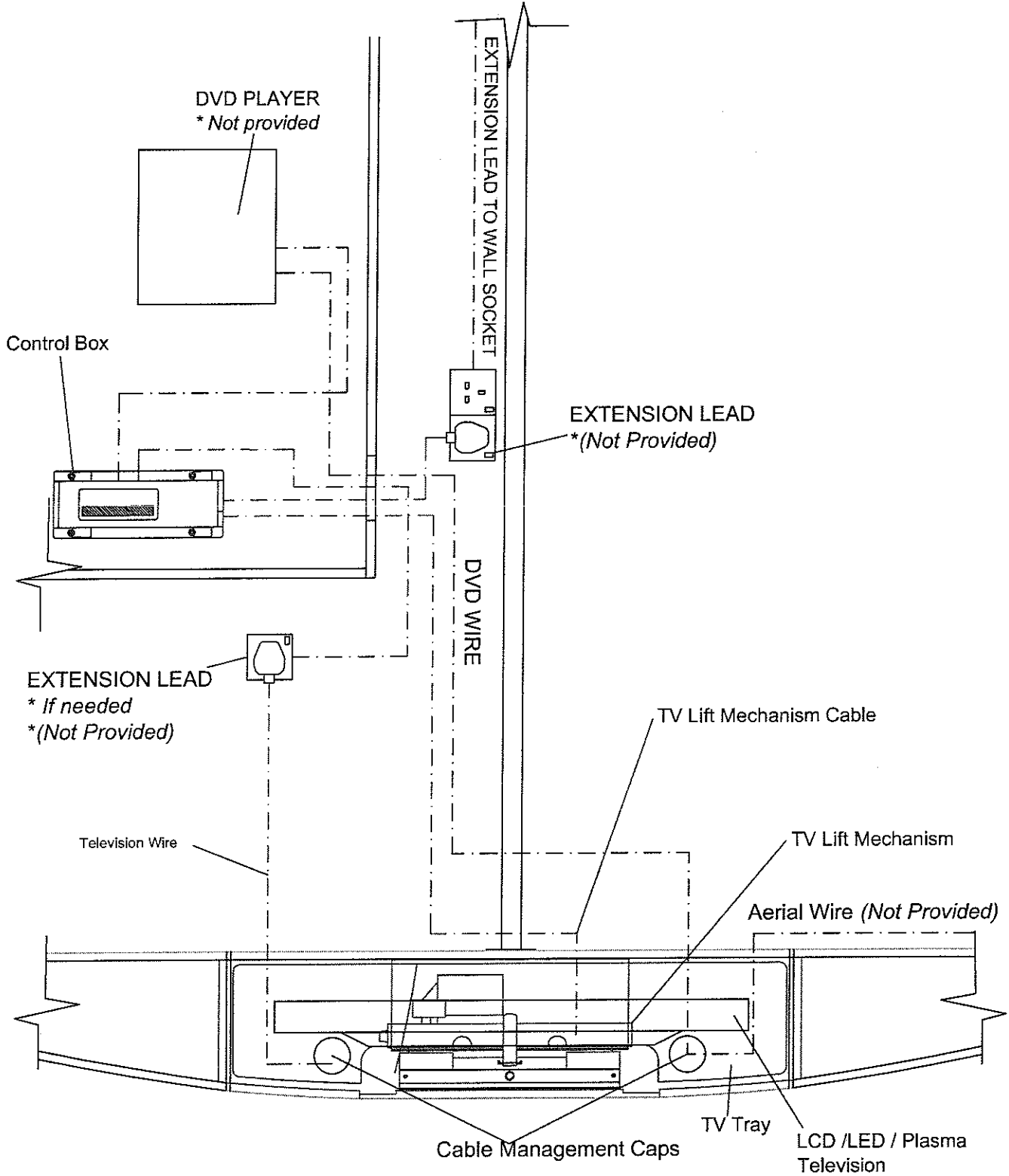
CONNECTIONS PLAN 1



DESCRIPTION:
STANTON SLIM TV BED

2

CONNECTIONS PLAN 2

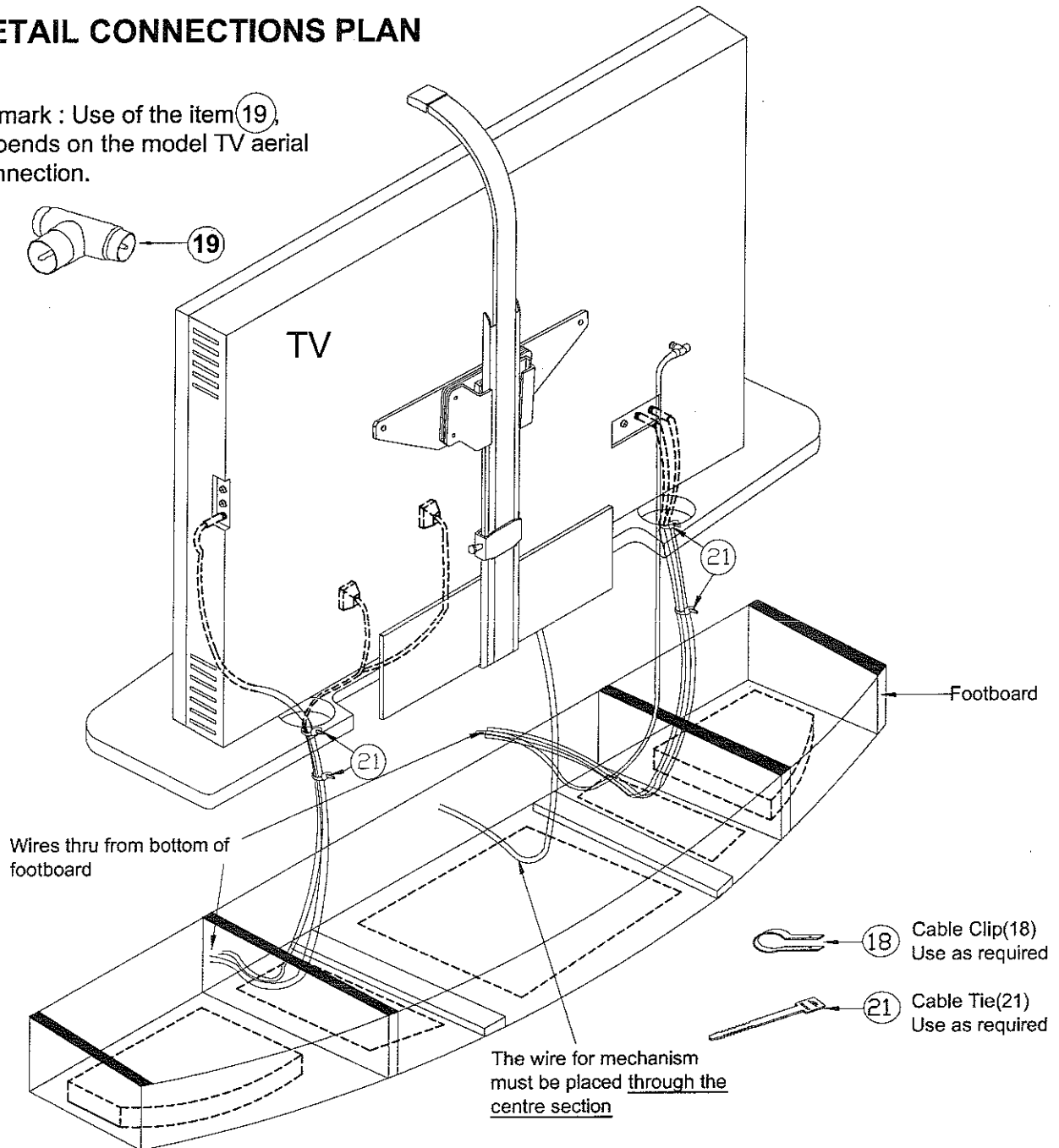


DESCRIPTION:
STANTON SLIM TV BED

2

DETAIL CONNECTIONS PLAN

Remark : Use of the item (19), depends on the model TV aerial connection.



Place the wire cable through the Cable Management Caps to prevent any damage to the wire cable when TV Lift Mechanism is operating. Make sure the wire cables are long enough to let the TV Lift Mechanism move freely.

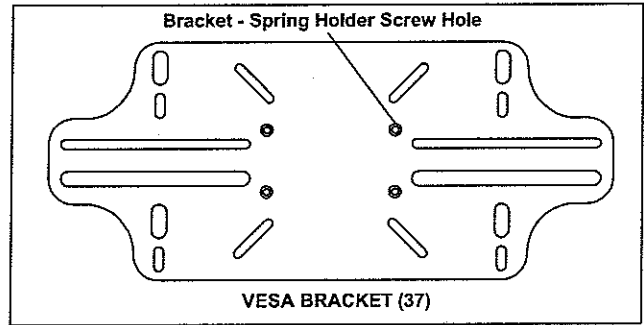
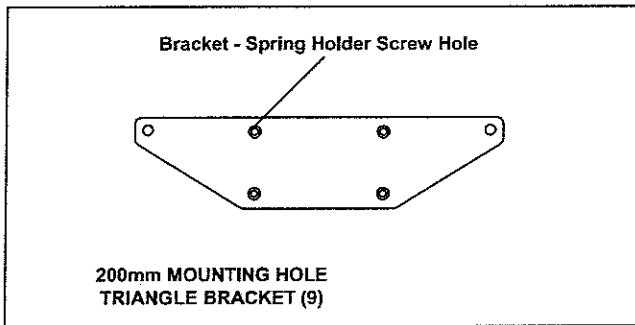
Group the wires together as required below the TV Tray using cable clip (18) or cable tie(21) provided.

NOTE: The cable port for television ,dvd, tv aerial etc may not be the same as shown above and vary depending on model.

DESCRIPTION:
STANTON SLIM TV BED

2

REPLACEMENT OF THE BRACKET

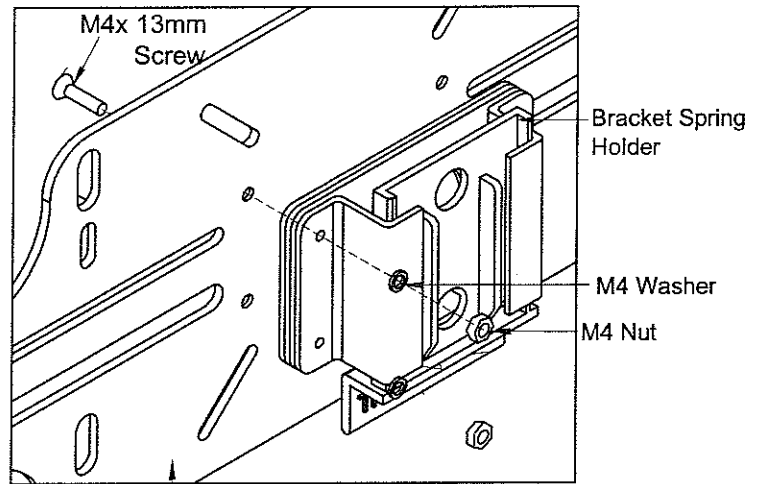
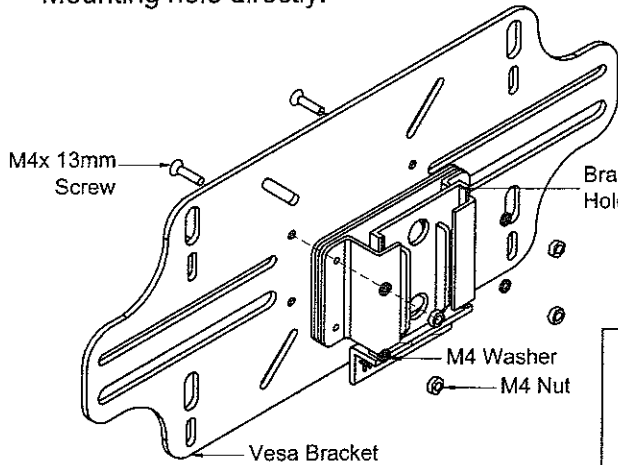


There are 2 types of optional TV Mounting Bracket that offered for the TV mechanism to suit the different range of TV mounting holes.

To change the bracket, loosen and take out the M4 screws (*please refer to diagram below for detail*) to disassemble the bracket from the bracket spring holder. Change the bracket, after that, fit the M4 screw back to the Bracket spring Holder and tighten it.

*Both of the Brackets share the same hole sizes Bracket - Spring Holder Screw Hole.

*Vesa Bracket provide hole for M4, M5, M6 and M8 screws so it can be applied to the TV's Mounting hole directly.



Vesa Bracket

DESCRIPTION:

STANTON SLIM TV BED

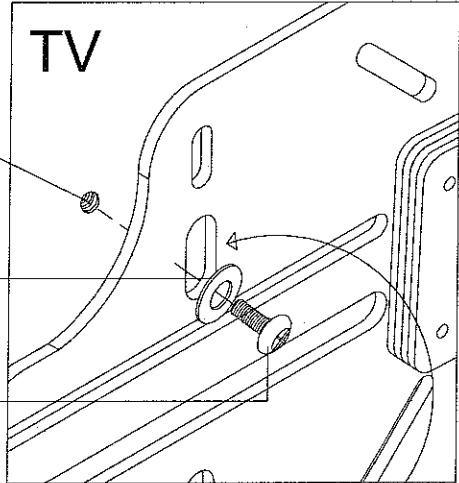
2

TV Mounting Bracket Vesa Bracket (37)

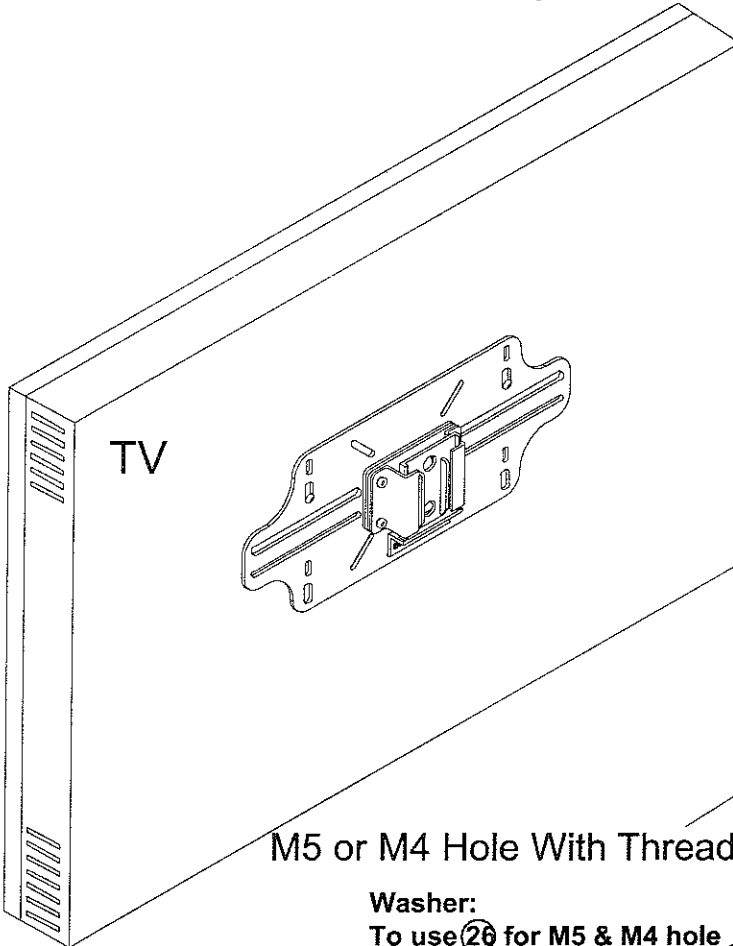
M8 or M6 Hole With Thread

Washer:
To use 28 for M8 hole
or
27 for M6 hole

Bolt:
To use 25 for M8 hole
or
24 for M6 hole



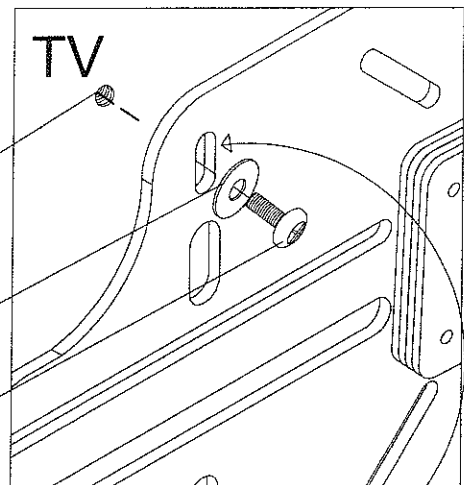
To use bigger slot hole for M8 and M6 hole with thread



M5 or M4 Hole With Thread

Washer:
To use 26 for M5 & M4 hole

Bolt:
To use 23 for M5 hole
or
22 for M4 hole



To use smaller slot hole for M5 and M4 Screw hole with thread

DESCRIPTION:

STANTON SLIM TV BED

2

ADDITIONAL TROUBLESHOOTING

ATTENTION! PLEASE NOTE:

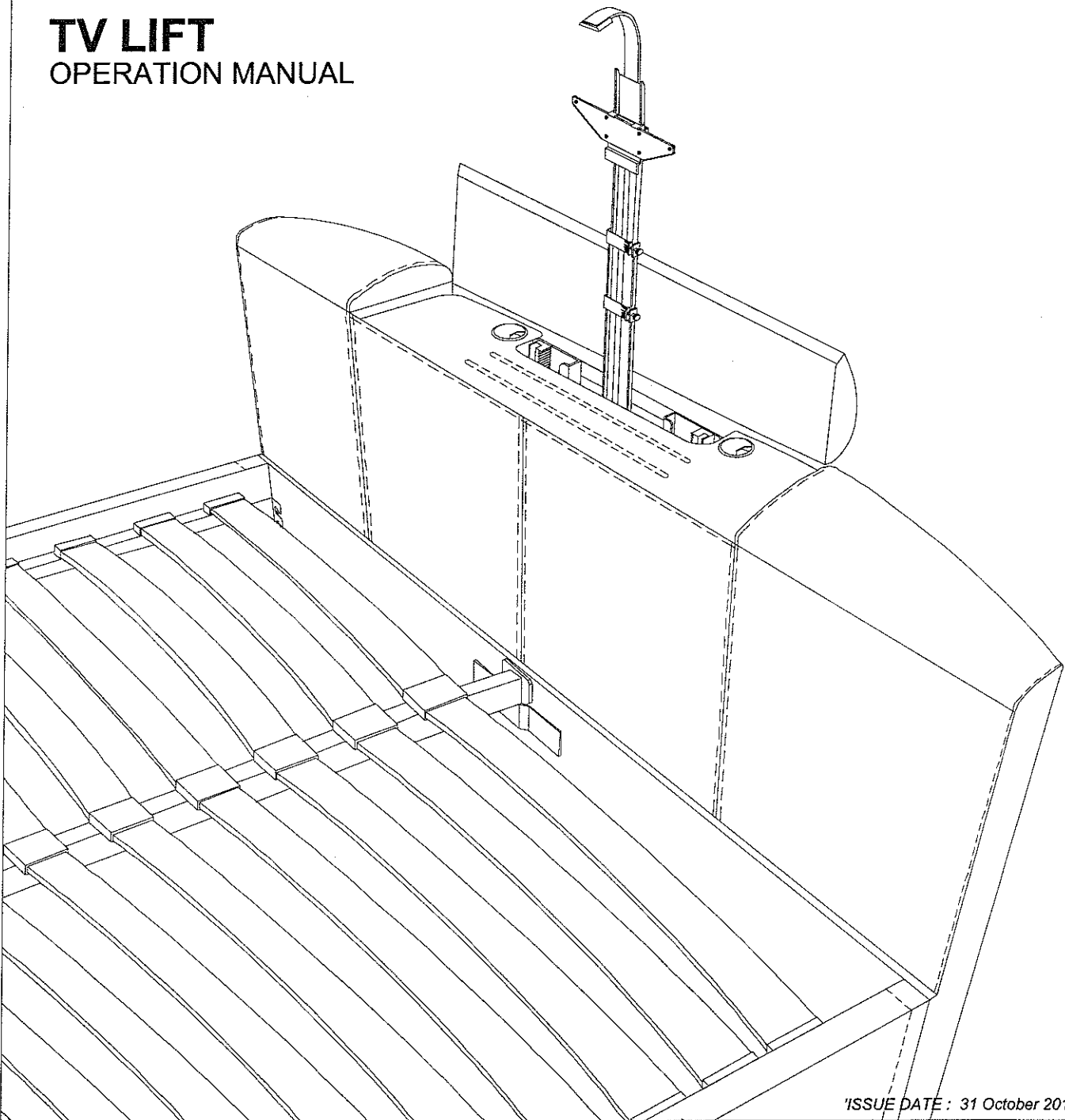
In the event you are experiencing any technical difficulties and you require additional assistance/ support with your product 'Mechanical/ Electrical' function - Please visit <http://furnitureinnovation.freshdesk.com>

DESCRIPTION:

STANTON SLIM TV BED

3

TV LIFT OPERATION MANUAL



'ISSUE DATE : 31 October 2012'

WARNING !

Read this manual before installation. Operating your pop-up furniture improperly will be hazardous and will void the warranty.

ATTENTION! PLEASE NOTE:

In the event you are experiencing any technical difficulties and you require additional assistance/ support with your product 'Mechanical/ Electrical' function - Please visit <http://furnitureinnovation.freshdesk.com>

DESCRIPTION:

STANTON SLIM TV BED

3

INTRODUCTION

The TV Lift system is specially designed for LCD,LED & Plasma Televisions. The patented BSSB Model 02 Series features a purpose built rack and pinion assembly driven by electric motor allowing for safe and quiet operation for home users.

The TV Lift system has a maximum load capacity of 100lbs (46kg) sufficient for operation with most of the LCD,LED & Plasma televisions in the market from 20 to 32 inch screen size.

Connection between all of the main component ie. lifting system - control box/switces etc are plug types enabling very simple installation, maintenance and repair / replacement.

The Model 02 Series is an easy to operate plug in and play design with safety and fuse protection.

The system operates with either radio frequency remote control or manually from the control box up/ down switch.

The TV Mechanism/ Control Unit has Certified Approval For:

UK	CE
USA	UL
CANADA	CUL
AUSTRALIA	C-TICK

The Remote Control Unit has Certified Approval For:

UK	R&TTE
USA	FCC
CANADA	IC
AUSTRALIA	C-TICK

Safety Warning: If you do not understand these directions, or have any doubts about the safety of the installation, then please call a qualified installer. Check carefully to make sure there are no missing or defective parts. Never use any defective parts as an improper installation may cause damage or serious injury. Do not use this product for any other purposes then specified.

Note: We make every effort to assure all supplied parts are included. If the hardware needed is not included, then please contact your local hardware store.

DESCRIPTION:

STANTON SLIM TV BED

3

 CAUTION

Do not use damage electrical plug or power cable. If there is any damage to the power cables, the cables must be repaired or replaced by an authorized person to avoid danger.

Do not attempt to carry out servicing nor maintenance on the equipment.

Always use correct replacement parts. When unsure, consult supplier.

Do not unplug power cord with wet hands.

This appliance is not intended for use by persons (including children) with reduced physical, sensory or mental capabilities or lack of experience or knowledge, unless they have been given supervision or instruction concerning use of the appliance by a person responsible for their safety.

Children should be supervised to ensure that they do not play with the appliance.

Disposal of appliance shall be in accordance with the national regulation.

DESCRIPTION:

STANTON SLIM TV BED

3

CONTROL BOX (1)

***Manual Up/Down Switch (2)**

A. When the switch is set at "UP", platform moves upward.

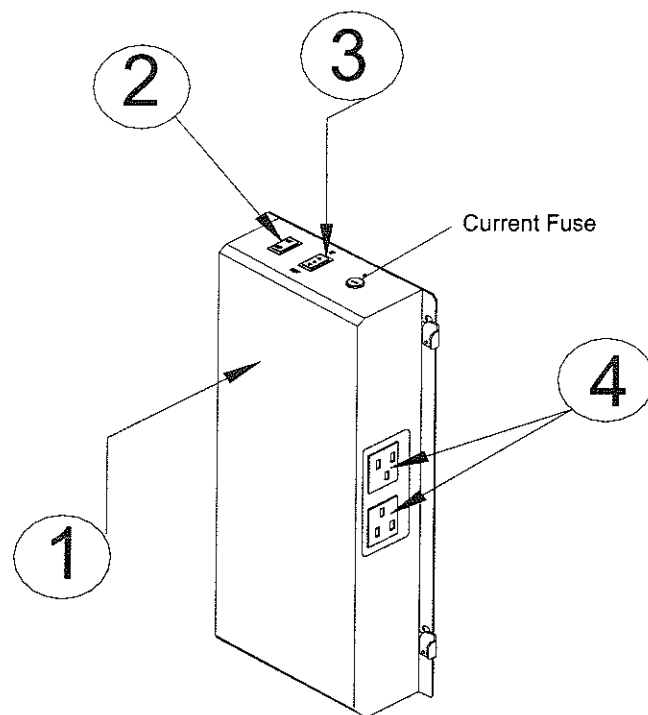
B. When the switch is set at "DOWN", platform moves downward.

***Power ON/OFF Switch (3)**

When the switch is set at "ON", power supplied and standby. When switch is set at "OFF", power cut.

***Power Outlet (4)**

Insert TV plug into either of these Outlet socket (4) for TV power and insert DVD plug into the other Outlet socket for DVD power.



DESCRIPTION:

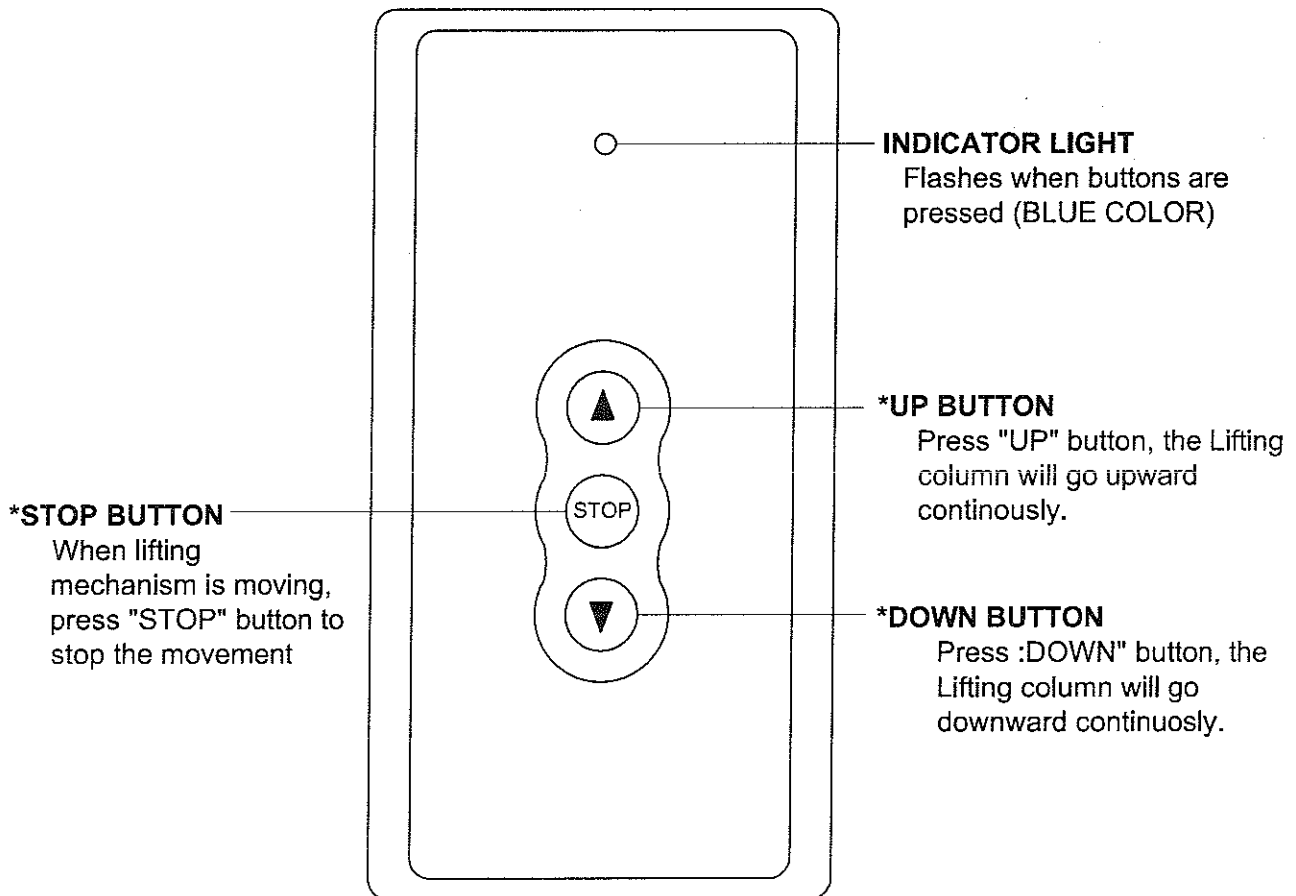
STANTON SLIM TV BED

3

REMOTE CONTROL (11)-1

- Indicator Light
- UP Button
- STOP Button
- DOWN Button

OPERATING THE LIFT SYSTEM
***(PRESS BUTTONS ONCE THEN FINGER OFF)**



CAUTION:

When the lift is loaded and continuously travels up and down for approx. 6 minutes, the lift will suspend normal operation automatically. During suspension of normal operation, the lift can be operated by Manual UP/DOWN Switch. The lift may need approx. 10 minutes to restart to the normal operation.

CHILD-LOCK SAFETY FEATURE:

To avoid unattended children from operating the lift system the Lift can be locked by holding STOP BUTTON on Remote Control for at least 5 seconds, When the lift is locked, it will stop working and the Remote Control cannot operate also. To unlock the lift, press Stop button on Remote Control for at least 5 seconds. (OR Turn off power for 5 minutes.)

DESCRIPTION:

STANTON SLIM TV BED

3

REMOTE CONTROL (11)-2

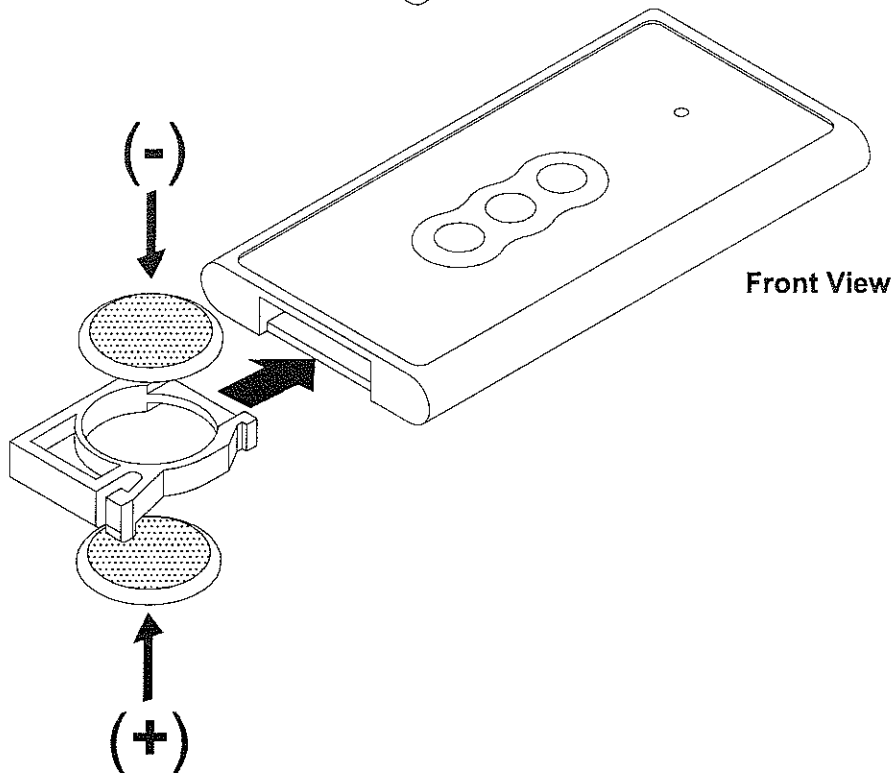
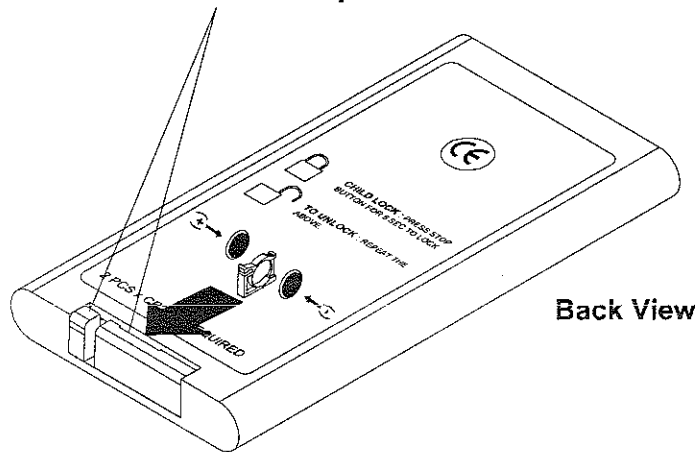
Battery:

P/N: CR2025

Size: D20 X T2.5mm

Spec.: 3V 150mAh

Pull the battery case from here to open

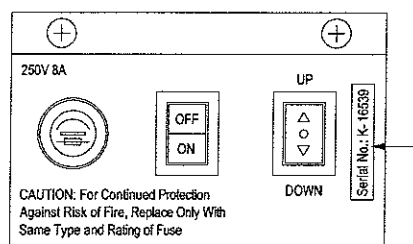


DESCRIPTION:**STANTON SLIM TV BED****3****TROUBLE SHOOTING**

Sympton	Suggested Action
No movement, mechanism is not working	<ul style="list-style-type: none"> * Check the power to the unit. Make sure all power leads are properly inserted /connected? (See page 8, 9, 10 Section 2 for detail) * Check if Power Switch is at "ON" position on the control box and the main electrical supply.(See page 8, 9, 10 Section 2 for detail) * Check Fuse on Control Box and Power Lead plug
Can operate manually, but cannot operate by remote control	<ul style="list-style-type: none"> * Check the battery of the remote control? Make sure the battery is in good condition (Battery#: CR2025/3V). Check if the batteries are inserted correctly. * Check if the indicating light of the remote control flashes when buttons are pressed. * Check if there is any interference signal (like Motor, Emitter) in immediate vicinity. * Check if the normal operation of TV Lift is suspended automatically due to continuous movement of the mechanism up and down for approx 6 minutes. TV Lift may need 10 minutes to restart to the normal operation (See page 4 Section 3 for detail) * <u>CHILD SAFETY FEATURE:</u> Check if Remote Control is locked? Release Lock by pressing STOP button on Remote Control for 5 seconds or turn off power for 5 minutes.
Remote Control (Re - synchronising the remote control to the control box)	<p>Learn code process to synchronize the Remote Control:</p> <ol style="list-style-type: none"> 1. Turn OFF the power on Control Box for at least 30 Seconds. 2. Hold "UP" or "DOWN" Button on the Remote Control, then turn ON the power switch on Control Box. Keep holding "UP" or "DOWN" button on Remote Control for at least 5 seconds. <p>(Note: if TV is in the up position hold the "DOWN" button and if the TV is in the down position hold the "UP" button.)</p>

SPECIAL NOTE:

THE PRODUCT SERIAL NUMBER CAN BE LOCATED ON THE CONTROL BOX AND SHOULD BE QUOTED WHEN ORDERING/ REQUIRING SPARE PARTS OR SERVICE ASSISTANCE.



DESCRIPTION:**STANTON SLIM TV BED****3****SPECIFICATION**

FEATURE		1. Remote Control 2. Manual Control
VOLTAGE	US EU	120V/60Hz 100V/60Hz 240V/50Hz 220V/50Hz
Current Fuse (Control Box)	US/ EU	250V-8A
MAXIMUM LOADING CONSUMPTION POWER UPWARD SPEED		100lbs 100Watts 1"/1.5Sec.
BATTERY (SLIM REMOTE CONTROL)		P/N: CR2025 Size: D20 X T2.5mm Spec.: 3V 150mAh

DESCRIPTION:

STANTON SLIM TV BED

3

ADDITIONAL TROUBLESHOOTING

ATTENTION! PLEASE NOTE:

In the event you are experiencing any technical difficulties and you require additional assistance/ support with your product 'Mechanical/ Electrical' function - Please visit <http://furnitureinnovation.freshdesk.com>

