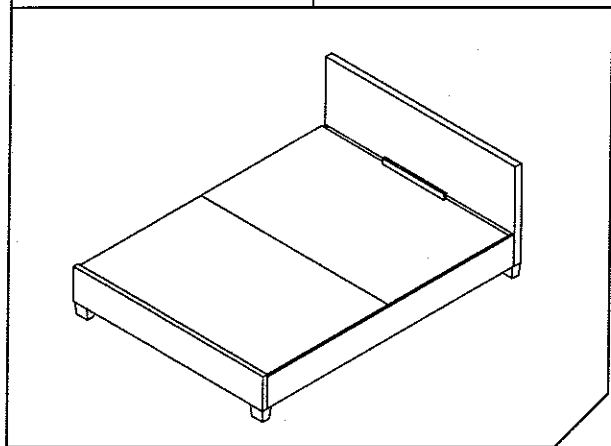


MODEL : WALKWORTH BED



WALKWORTH BED

5FT AND 6FT
ASSEMBLY INSTRUCTIONS

2 PEOPLE REQUIRED

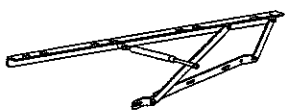
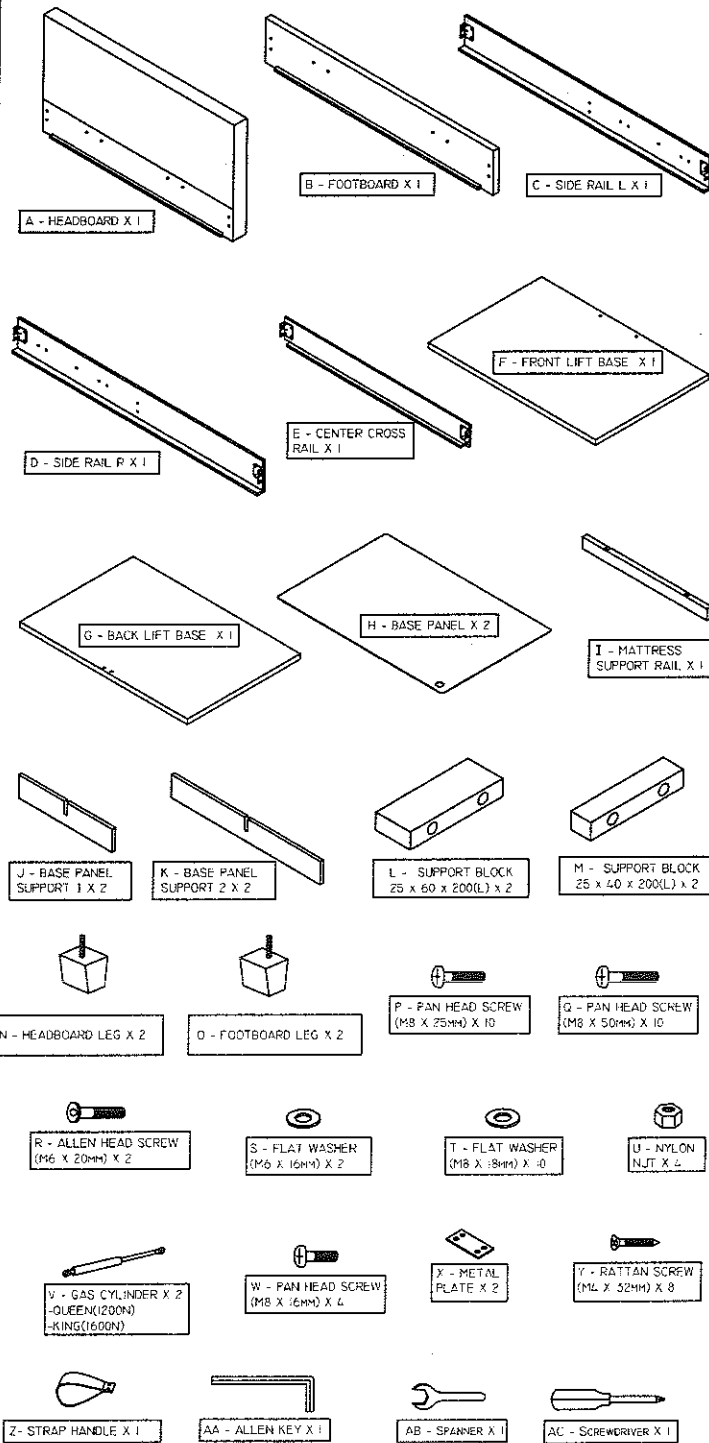
PLEASE TAKE TIME TO READ THESE INSTRUCTIONS AND FAMILIARISE YOURSELF WITH ALL THE COMPONENTS THAT MAKE UP YOUR NEW BEDSTEAD.

PLEASE RETAIN THIS LEAFLET FOR FUTURE REFERENCE.

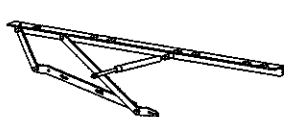
WARNING !!

THIS PRODUCT CONTAINS SMALL PARTS AND PACKAGING THAT SHOULD BE KEPT AWAY AND OUT OF REACH FROM ALL CHILDREN.

EQUIPMENT CHECK



AD - LIFT UP MECHANISM (LEFT) X 1



AE - LIFT UP MECHANISM (RIGHT) X 1

- A. This Lift Mechanism provide assistance with the lift of the mattress fitted to the base - it does not lift the mattress for you. The system has been designed to effectively lift the base system fitted with a variety of mattress weights and combinations of depth. Depending on the combination of mattress weight and depth determines the degree of assistance provided by the mechanism.
- B. Following installation of the mechanism lift / pull the base up and down a few times to free off the system - the gas cylinders fitted to the system may be stiff when first used or if the system has not been operated for a period of time .The mattress must be fitted to the base.
- C. Use the strap handle to lift up the mattress base using two hands - Pull the mattress base down using two hands equally spaced from the centre of the mattress base. **DO NOT** pull down on one side of the base only as this is likely to damage the base system with potential failure of the mattress base system and lift mechanism. **Do not operate the lift up mechanism without the mattress fitted to the base.**

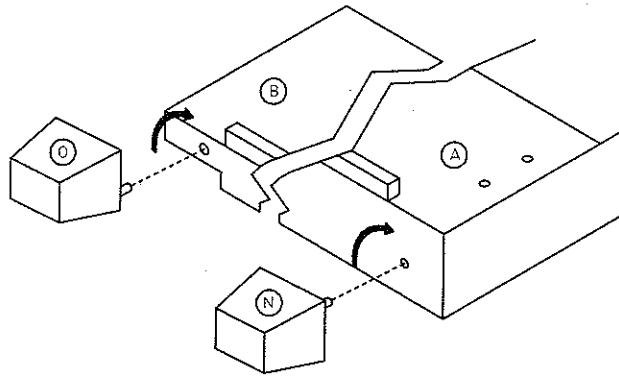
CAUTION :

- Do not allow children to operate the lift Mechanism.
- Do not allow children near the lift base when operating the Mechanism.
- Do not allow children in the area of the internal storage base.
- Keep hands clear of the mechanism when operating the base system.
- Do not stand inside the bed / on the internal storage base.
- Do not overload the internal storage base.
- Maintain the storage base panel supports in the centre position below each storage base.

1 - ATTACHING FOOT TO HEADBOARD & FOOTBOARD

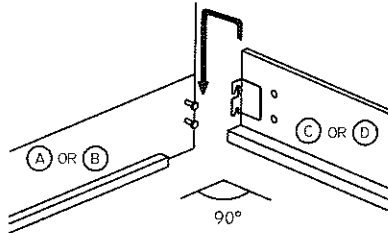
CAREFULLY UNPACK ALL ITEMS FROM THE CARTONS, REMOVE THE PROTECTIVE PLASTIC CAP FROM THE LEG BOLT AND INSERT INTO THE HEADBOARD AND FOOTBOARD AS SHOWN.

REMARK: HEADBOARD USE ITEM (N); FOOTBOARD USE ITEM (O).



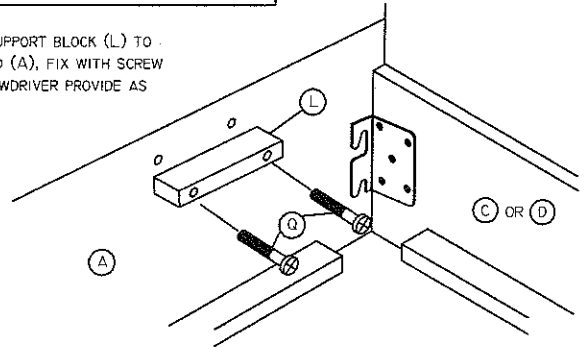
2 - ATTACHING SIDE RAIL TO HEADBOARD & FOOTBOARD

HOOK SIDE RAIL BRACKET OVER BOLTS AND SCREW BOLTS TIGHTLY IN WITH THE SCREWDRIVER PROVIDED. NOTE: TO INCREASE THE LONGEVITY, TIGHTEN BOLTS REGULARLY.



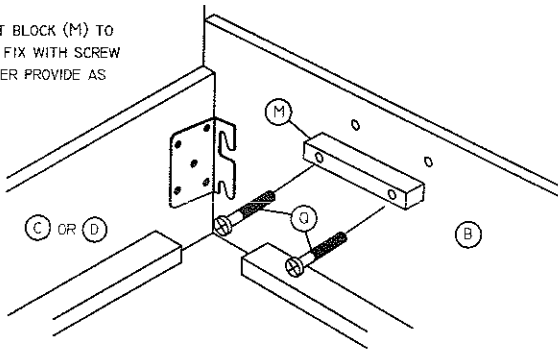
3 - ATTACHING SUPPORT BLOCK(L) TO HEAD BOARD

ATTACH THE SUPPORT BLOCK (L) TO THE HEADBOARD (A), FIX WITH SCREW (Q) USING SCREWDRIVER PROVIDED AS SHOWN.



4 - ATTACHING SUPPORT BLOCK(M) TO FOOT BOARD

ATTACH THE SUPPORT BLOCK (M) TO THE FOOTBOARD (B), FIX WITH SCREW (Q) USING SCREWDRIVER PROVIDED AS SHOWN.

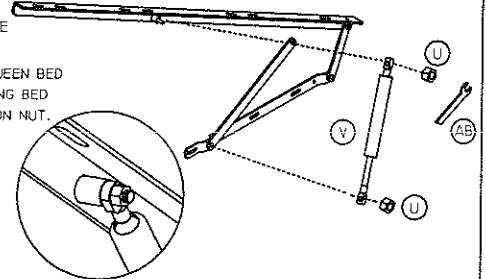


5 - ATTACHING GAS CYLINDER TO THE LIFT UP MECHANISM

FIX THE GAS CYLINDER (V) TO THE LIFT UP MECHANISM WITH THE NYLON NUT (U) USING SPANNER PROVIDED.

REPEAT THE SAME STEP FOR THE OTHER SIDE.

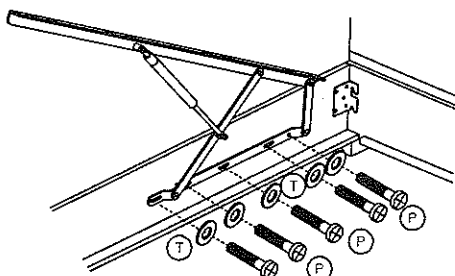
NOTE: GAS CYLINDER 1200N-QUEEN BED
GAS CYLINDER 1600N-KING BED
DO NOT OVER TIGHTEN THE NYLON NUT.



6 - ATTACHING LIFT UP MECHANISM TO THE SIDE RAIL

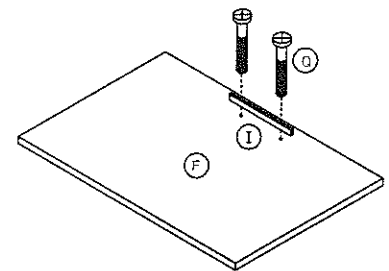
FIX THE LIFT UP MECHANISM TO THE SIDE RAIL WITH THE FLAT WASHER (T) AND SCREW (P) USING SCREWDRIVER PROVIDED.

REPEAT THIS STEP FOR THE OTHER SIDE RAIL ALSO.



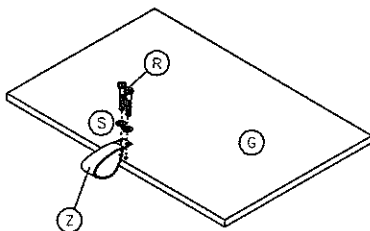
7 - ATTACHING MATTRESS SUPPORT RAIL TO FRONT LIFT BASE

FIX THE MATTRESS SUPPORT RAIL (I) TO THE FRONT LIFT BASE (F) WITH SCREW (Q) USING SCREW DRIVER PROVIDED.



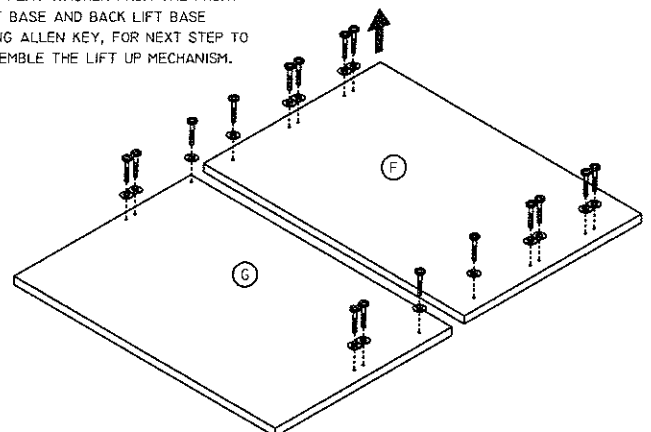
8 - ATTACHING STRAP HANDLE TO BACK LIFT BASE

FIX THE STRAP HANDLE (Z) TO THE BACK LIFT BASE (G) WITH FLAT WASHER (S) AND SCREW (R) USING SCREW DRIVER PROVIDED.



9 - REMOVE ALL SCREW FROM FRONT & BACK LIFT BASE

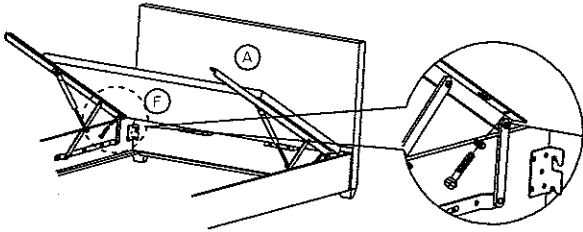
REMOVE ALL THE ALLEN HEAD SCREW AND FLAT WASHER FROM THE FRONT LIFT BASE AND BACK LIFT BASE USING ALLEN KEY, FOR NEXT STEP TO ASSEMBLE THE LIFT UP MECHANISM.



10 - ATTACHING FRONT LIFT BASE TO LIFT UP MECHANISM

STEP 1

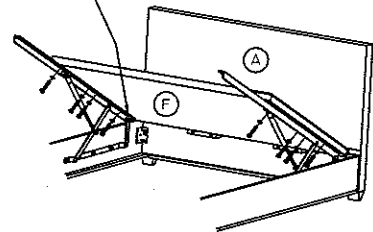
(VIEW FROM UNDERNEATH THE BED)
FIRST PUT THE BASE (F) ON THE TOP OF MECHANISM (AD) AND (AE) THEN USE ALLEN HEAD SCREW AND FLAT WASHER TO SCREW THE FIRST HOLE LOOSELY FOR SAFETY AND TO PREVENT THE LIFT BASE FROM DROPPING DOWN.



STEP 2

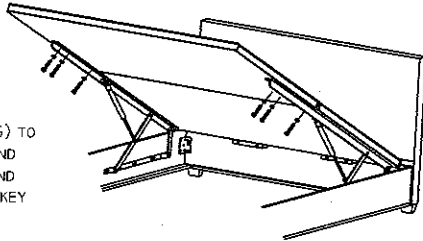
(VIEW FROM UNDERNEATH THE BED)
USE ALLEN HEAD SCREW AND FLAT WASHER TO TIGHTEN THE FIRST ROUND LOCATING HOLE AS SHOWN, AFTER THIS FULLY TIGHTEN ALL OTHERS SCREWS AS SHOWN.

FIRST ROUND LOCATING HOLE



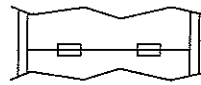
11 - ATTACHING BACK LIFT BASE TO LIFT UP MECHANISM

ATTACH THE BACK LIFT BASE (G) TO THE LIFT UP MECHANISM (AD) AND (AE), FIX WITH FLAT WASHER AND ALLEN HEAD SCREW USE ALLEN KEY PROVIDED.

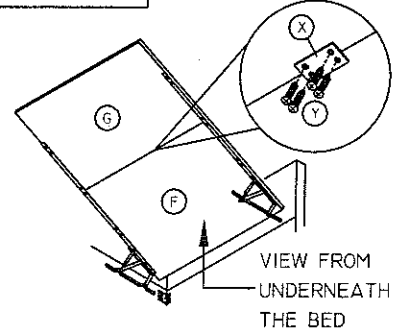


12 - ATTACHING METAL PLATE TO BOTTOM OF LIFT BASE

ATTACH THE METAL PLATE (X) TO THE BOTTOM OF LIFT BASE (F) & (G), FIX WITH RATTAN SCREW (Y) USING SCREWDRIIVER PROVIDE AS SHOWN.



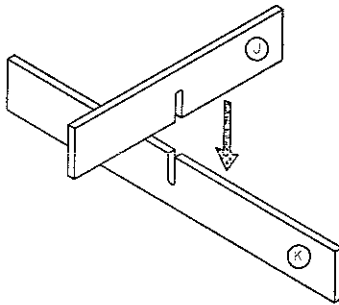
BOTTOM VIEW



VIEW FROM UNDERNEATH THE BED

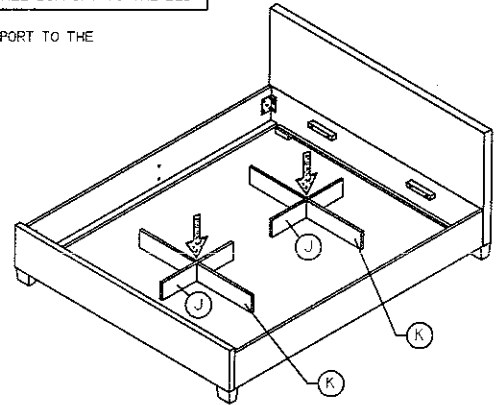
13 - ATTACHING BASE PANEL SUPPORT 1 & BASE PANEL SUPPORT 2

ASSEMBLE BASE PANEL SUPPORT (J) AND BASE PANEL SUPPORT (K) AS SHOWN.



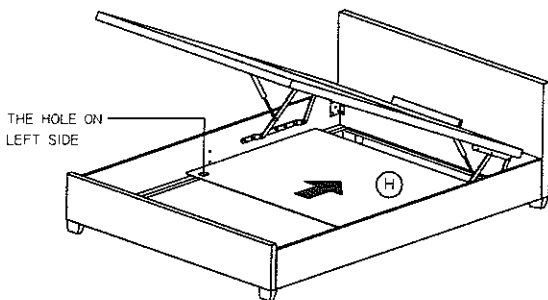
14 - ATTACHING BASE PANEL SUPPORT TO THE BED

PUT THE BASE PANEL SUPPORT TO THE CENTER OF THE BED.



15 - ATTACHING BASE PANEL TO THE BED

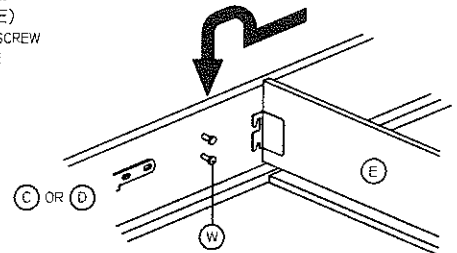
SLIDE THE BASE PANEL (H) TO THE BED AS SHOWN.



16 - ATTACHING CENTER CROSS RAIL TO SIDE RAIL

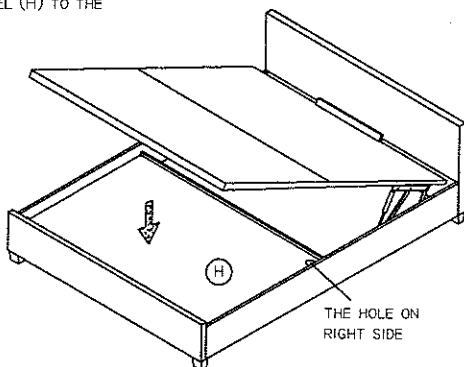
FIX THE SCREW (W) TO THE CENTER OF THE SIDE RAIL (C) AND (D) USING SCREWDRIIVER PROVIDE. HOOK CENTER CROSS RAIL (E) BRACKET OVER BOLTS AND SCREW BOLTS TIGHTLY IN WITH THE SCREWDRIIVER PROVIDED.

NOTE : TO INCREASE THE LONGEVITY, TIGHTEN BOLTS REGULARLY.



17 - ATTACHING BASE PANEL TO THE BED

PUT THE BASE PANEL (H) TO THE BED AS SHOWN.



18 - FINAL TOUCH

MAKESURE THE BED ALL SQUARE BEFORE YOU CLOSING THE LIFT BASE.

THE MATTRESS MUST BE FITTED TO THE BASE.

DO NOT OPERATE THE LIFT UP MECHANISM WITHOUT THE MATTRESS FITTED TO THE BASE.

PLEASE READ THE FOLLOWING INSTRUCTIONS.

1. KEEP AWAY FROM DIRECT SUNLIGHT TO AVOID DISCOLOURATION.
2. DO NOT DRAG THE BED ACROSS THE FLOOR WHEN POSITIONING OR MOVING WHILST CLEANING.
3. WIPE CLEAN WITH A DAMP CLOTH.
4. TIGHTEN ALL SCREWS AT REGULAR INTERVALS, TO AVOID DAMAGE TO THE FRAME.
5. ENJOY YOUR PRODUCT.

