

DESCRIPTION: WINDERMERE TV BED

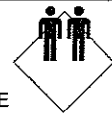
1 HOURS

APPROXIMATE ASSEMBLY TIME

2 PERSON ASSEMBLY



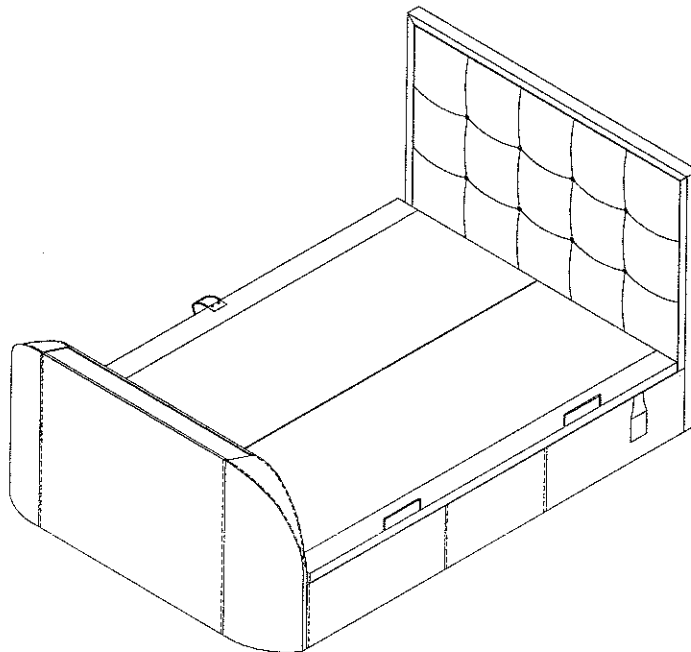
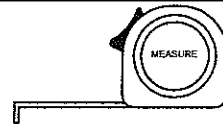
FLOOR AREA
2.0m X 2.7m



REQUIRED ASSEMBLY SPACE

ASSEMBLY INSTRUCTIONS

REQUIRED ASSEMBLY TOOLS



Important Information

- We suggest you spend a short time reading through this leaflet and then follow the simple step-by-step instructions.
- Carefully check that you have all the parts before beginning assembly.
- Keep fittings out of children's reach and keep children well away from construction area.
- We suggest you retaining these instructions for future reference.

Product Information

- Side Lift Up TV bed.
- Upholstered Bed. Conforms to BS 1725 & BS 5852.
- TV Lift system has a maximum load capacity of 80lbs (37kg)
- Compatible with slimline LED televisions with a screen size of 20" to 40".
- Maximum T.V dimensions D55mm x W950mm x H580mm (WITHOUT STAND)

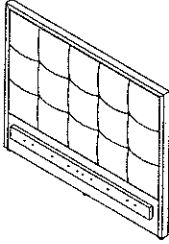
Care Instructions

- Avoid exposing the furniture to excessive heat or direct sunlight as this can cause cracking and deterioration of the color.
- Periodically check & re-tighten any fastener.
- Periodically dust lightly with a clean soft cloth.
- Do not use silicone based furniture polish.
- Any spills should be removed immediately with a soft damp cloth.
- TAKE CARE WHEN MOVING THE FURNITURE AND NEVER DRAG THE PIECES ACROSS THE FLOOR, AS THIS WILL CAUSE DAMAGE TO THE JOINTS.

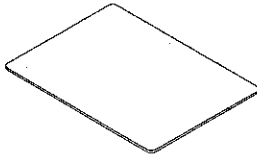
CE	Comforms To : CE_LIFT_UK	For 3001 TV Lift Standard in UK (LVD + EMC): -EN60335-1; EN55014-1; EN61000-3-2; EN61000-3-3; EN55014-2
	CE_REMOTE_UK	For Wireless Remote Standard in UK (R&TTE): -EN300220-2; EN301489-01; EN301489-03

Components of Carton A

(A) Headboard x 1

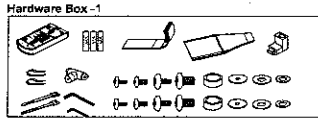


(B) Bottom base x 4

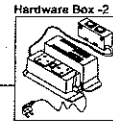
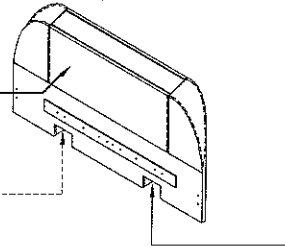


Component of Carton B

(C) Footboard x 1

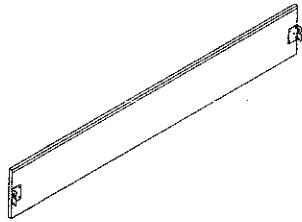


TV Mechanism
pre-fixed in the foot end

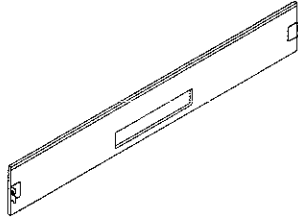


Components of Carton C

(D) Side Rail-1 x 1



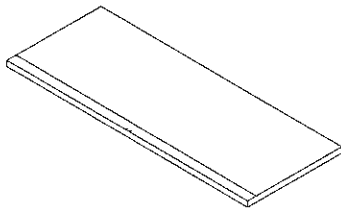
(E) Side Rail-2 x 1



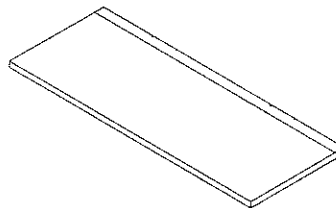
Hardware
Bag

Components of Carton D

(F) Front Lift Base x 1

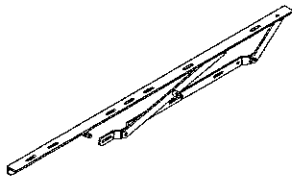


(G) Rear Lift Base x 1

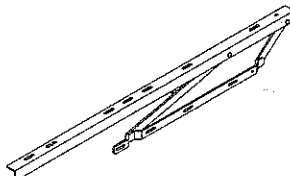


Components of Carton E

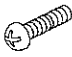

(H) Lift Up Mechanism-A x 1



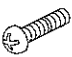


(I) Lift Up Mechanism-B x 1



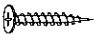
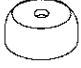
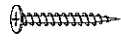
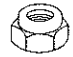
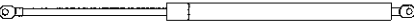
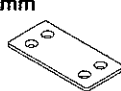



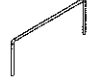
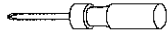


Hardware List (in Carton A)

(J) M8 x 25mm x 9 (Pre-Installed) 	(K) M8 x 18mm x 5 (Pre-Installed) 	
(Carton A)	(Carton A)	


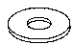
Hardware List (in Carton B)

(J) M8 x 25mm x 9 (Pre-Installed) 	(K) M8 x 18mm x 5 (Pre-Installed) 	(L) M4 x 12mm x 4 (Pre-Installed) 	
(Carton B)	(Carton B)	(Carton B)	

Hardware List (in Carton C)

(M) #8 x 1" x 20 	(N) Sofa Legs x 20 	(O) #8 x 1-1/4" x 16 	(P) M8 x 13mm x 4 
(Carton C)	(Carton C)	(Carton C)	(Carton C)
(Q) Gas Spring x 2 	(R) 3 X 40 x 86mm x 4 	(S) Strap Handle x 1 	
(Carton C)	(Carton C)	(Carton C)	
(T) M6 x 20mm x 2 	(U) M6 x 16mm x 2 	(V) Ø5 x 80 x 200mm x 2 	(W) Screw Driver x 1 
(Carton C)	(Carton C)	(Carton C)	(Carton C)
(X) Allen Key (M4) x 1 	(Y) Spanner x 1 		
(Carton C)	(Carton C)		

Hardware List (in Carton D)

(T) M6 x 20mm x 14 (Pre-Installed) 	(U) M6 x 16mm x 14 (Pre-Installed) 	
(Carton D)	(Carton D)	

Tips before you start!

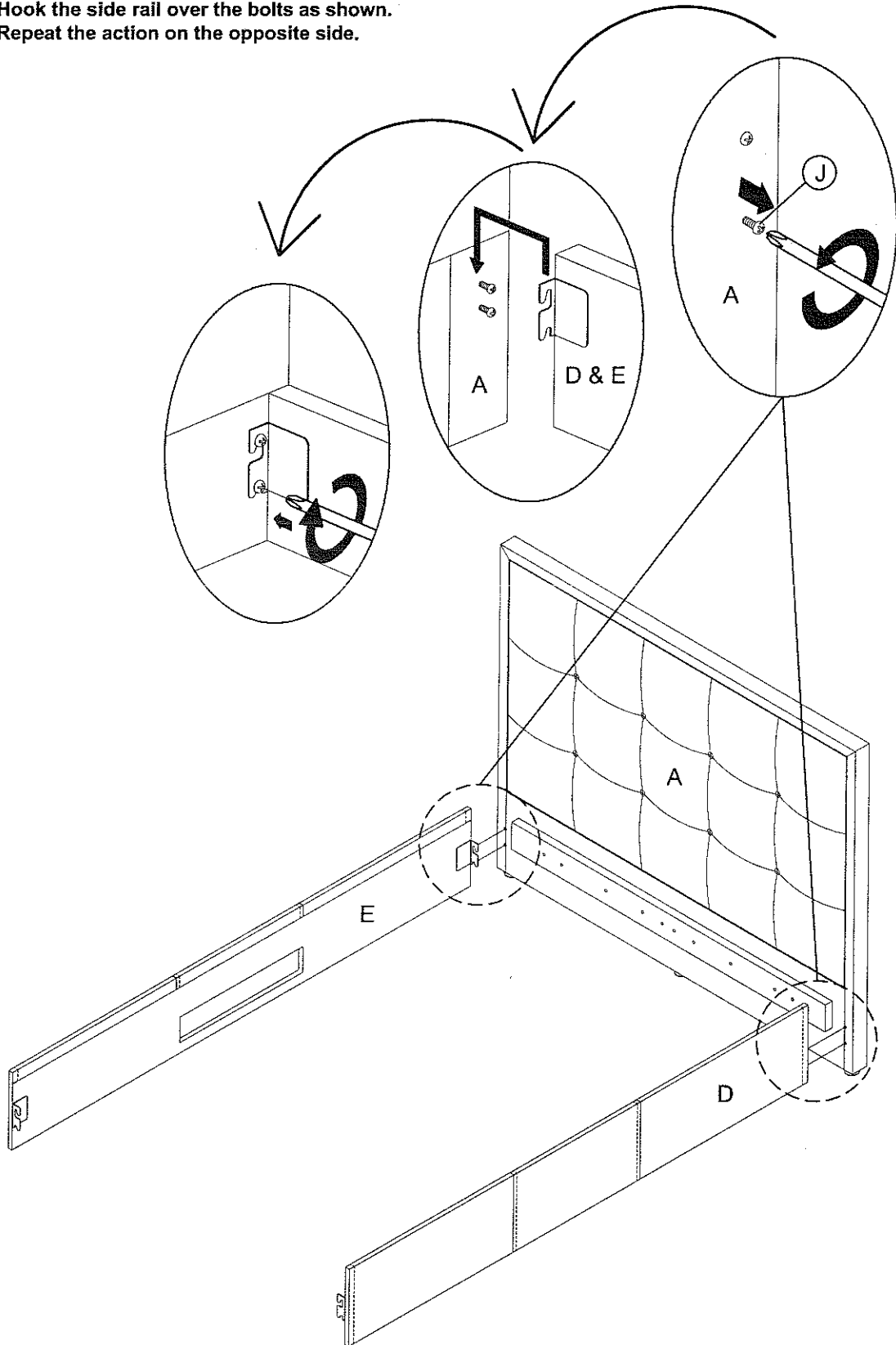
1. Please check that all parts are present before you start the assembly of your furniture.
2. For ease and speed of assembly, we recommend that before you commence each step of the assembly, that you identify all the parts required for that step.
3. For larger items, please ensure that you have sufficient space and people (as indicated on page 1) to assemble your product safely. (Minimum Two Persons)
4. We recommend where possible, all items are assembled near to the area where they will be placed in use, to avoid moving the product unnecessarily once assembled.
5. Please ensure that your bed is placed on a level floor area. (Avoid setting up and installing you bed on uneven floor surface.
6. For the protection of your furniture, we recommend that the product is placed on a protected surface during assembly to prevent any damage.
7. During assembly please take care not to over-tighten any fittings, as this may damage the product.

Care and Maintenance of your Furniture

- Please periodically check all fittings and re-tighten as necessary.
- To clean your item, please use a soft damp cloth and wipe clean.
- Please do not jump on your furniture.
- Never allow any kind of liquid to remain on your furniture. This can cause finishes to de-laminate. Take care when spraying Perfume and deodorants etc as the vapour can settle on the fabric surface and cause damage.
- Periodically check the condition of your bed slats and plastic locating caps to ensure they are in good condition and have not become loose.
- It is important to Never Drag your bed as this can cause damage to the joints and the fixings. This may invalidate your guarantee.
- The bed should always be lifted into position or if moved for cleaning.

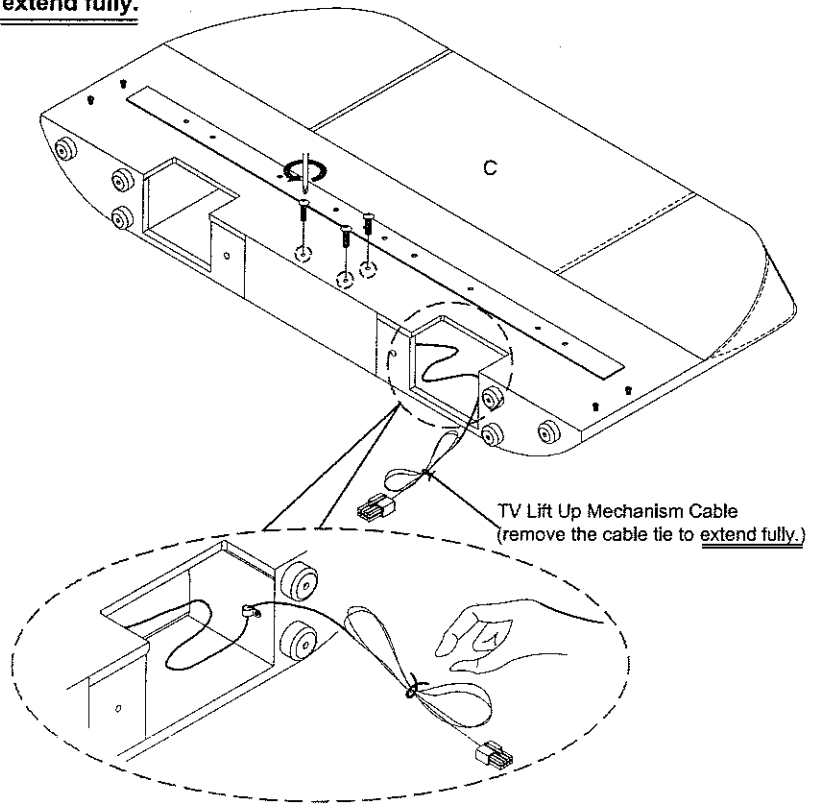
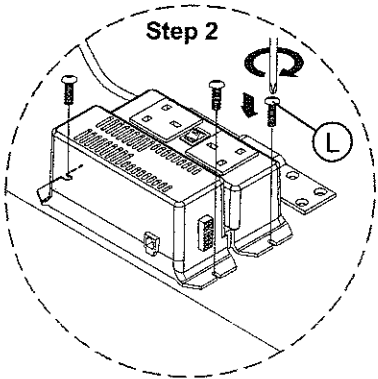
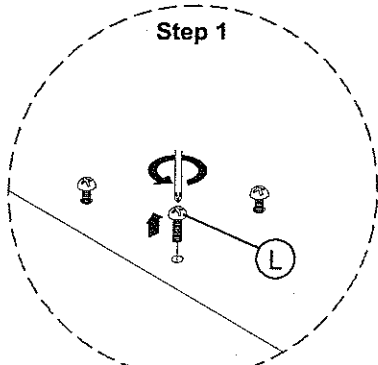
Step 1

- Before assembly please decide which side you require the "DVD / Media Compartment" Part 'E' side rail with opening will need to be placed at that side.
- Loosen the bolts located in the head end. (Note: only loosen the bolts Do NOT remove them.)
- Hook the side rail over the bolts as shown.
- Repeat the action on the opposite side.



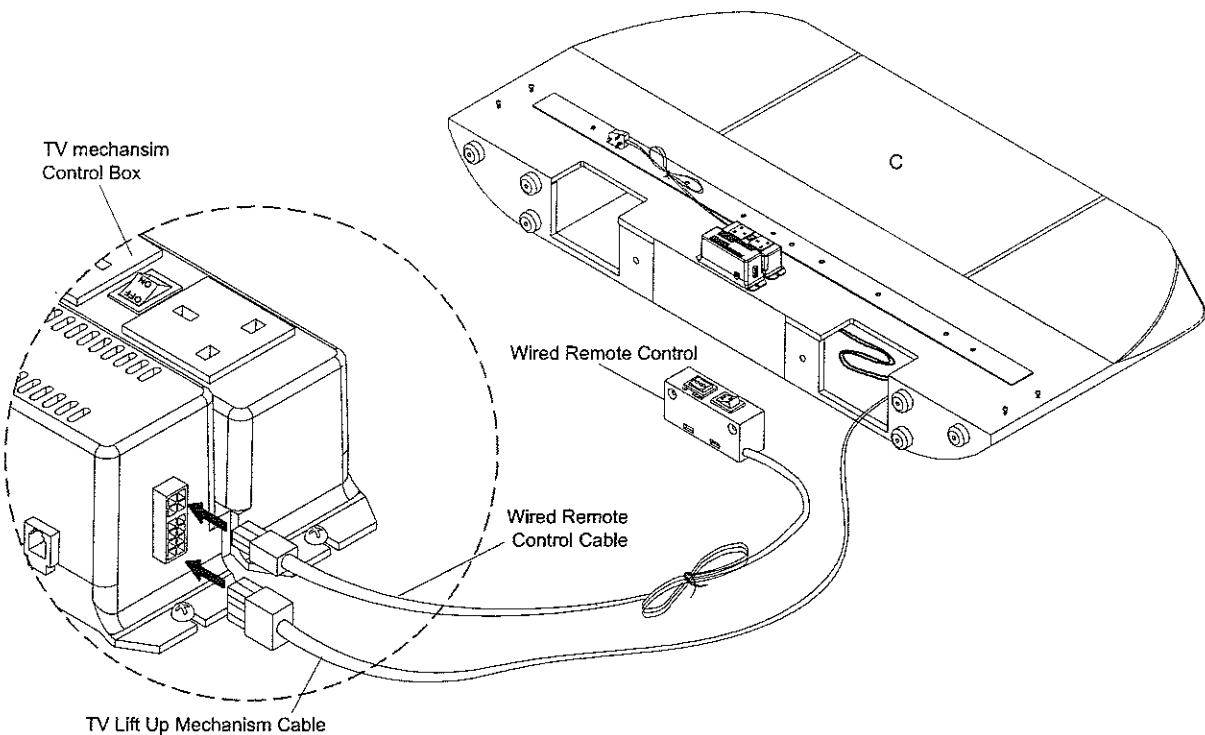
Step 3

- Remove the control box attachment bolts from middle of foot end.
- Attach the control box using the bolts.
- Insert your hand into the right hand cavity and locate the lift mechanism power cable. Remove the cable tie and extend fully.



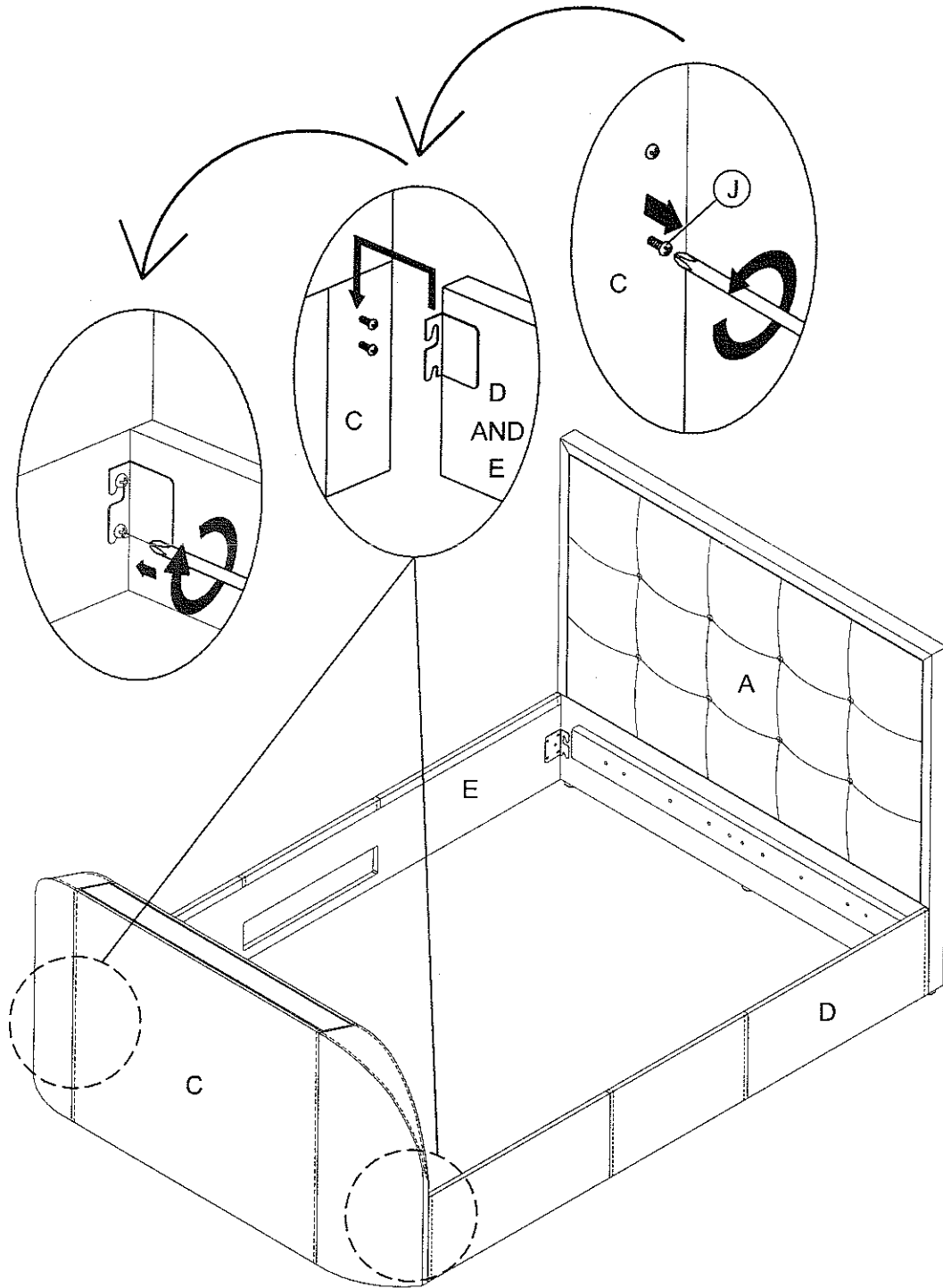
Step 4

- Connect mechanism power cable and Wired Remote Control cable to the control box, ensuring the power on/off switch is in " OFF " position.



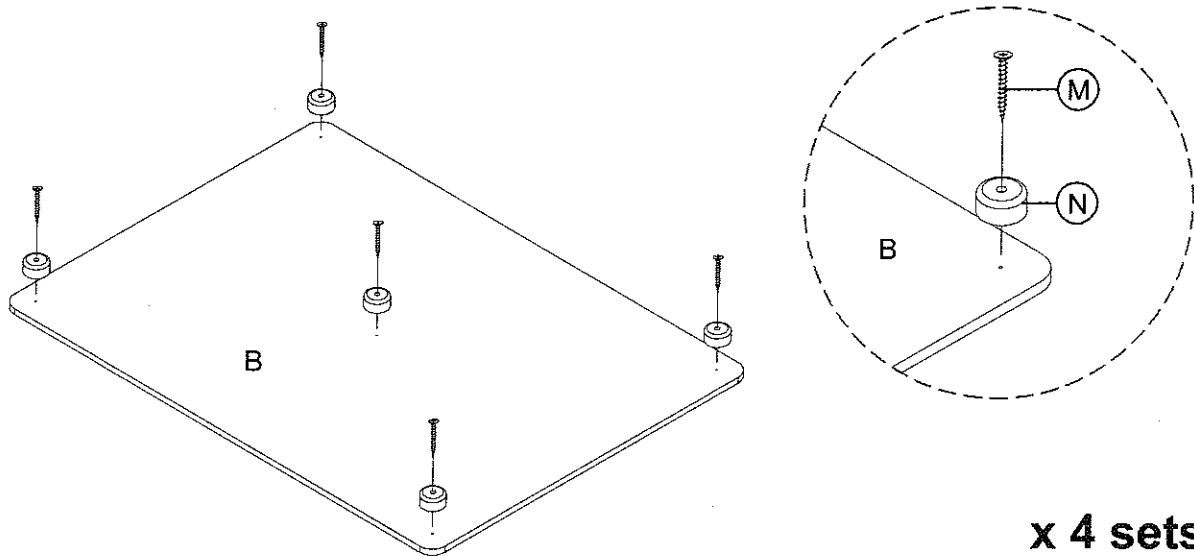
Step 5

- Carefully lift the foot end back to it's upright position.
- Loosen the bolts located in the foot end.
- Please note these should only be loosened and **NOT** removed.
- Hook the side rail brackets over the bolts on both sides.



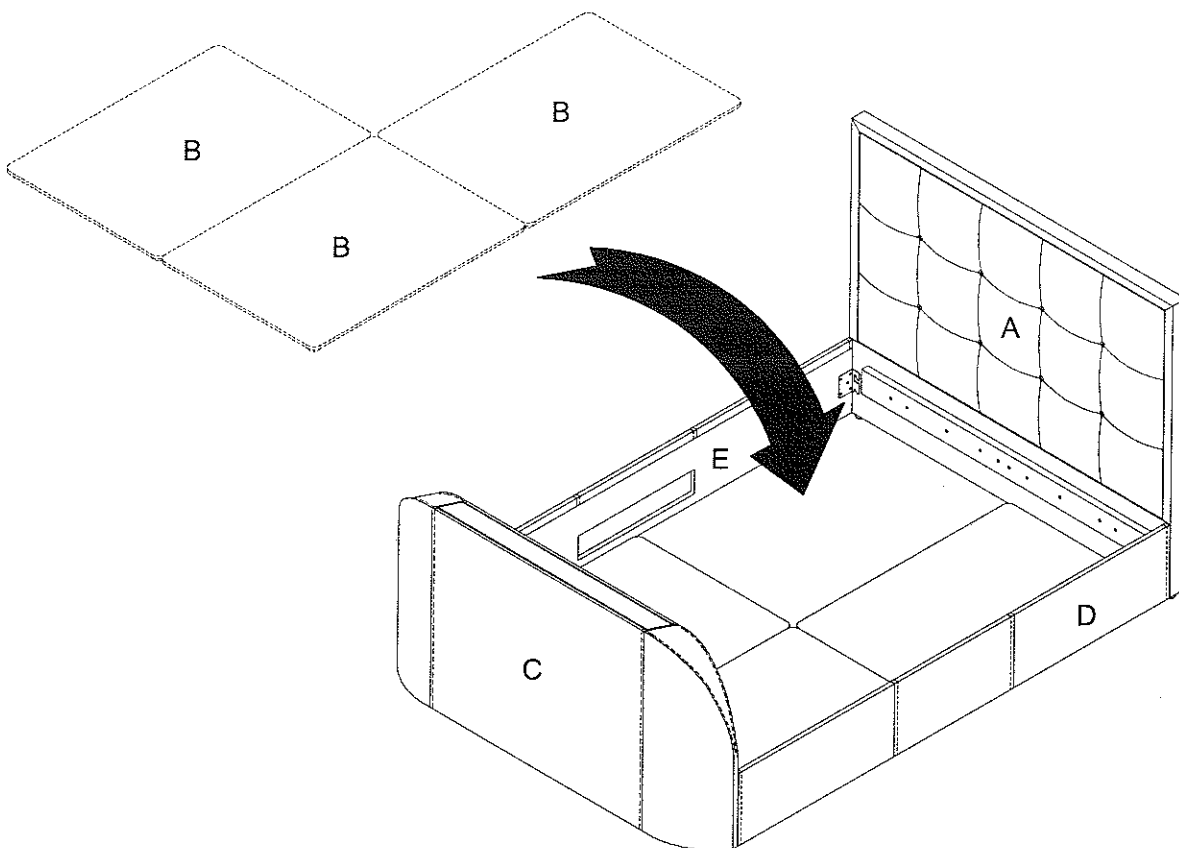
Step 6

- Fix the sofa leg to the bottom base panel with screw using screw driver provided as shown.



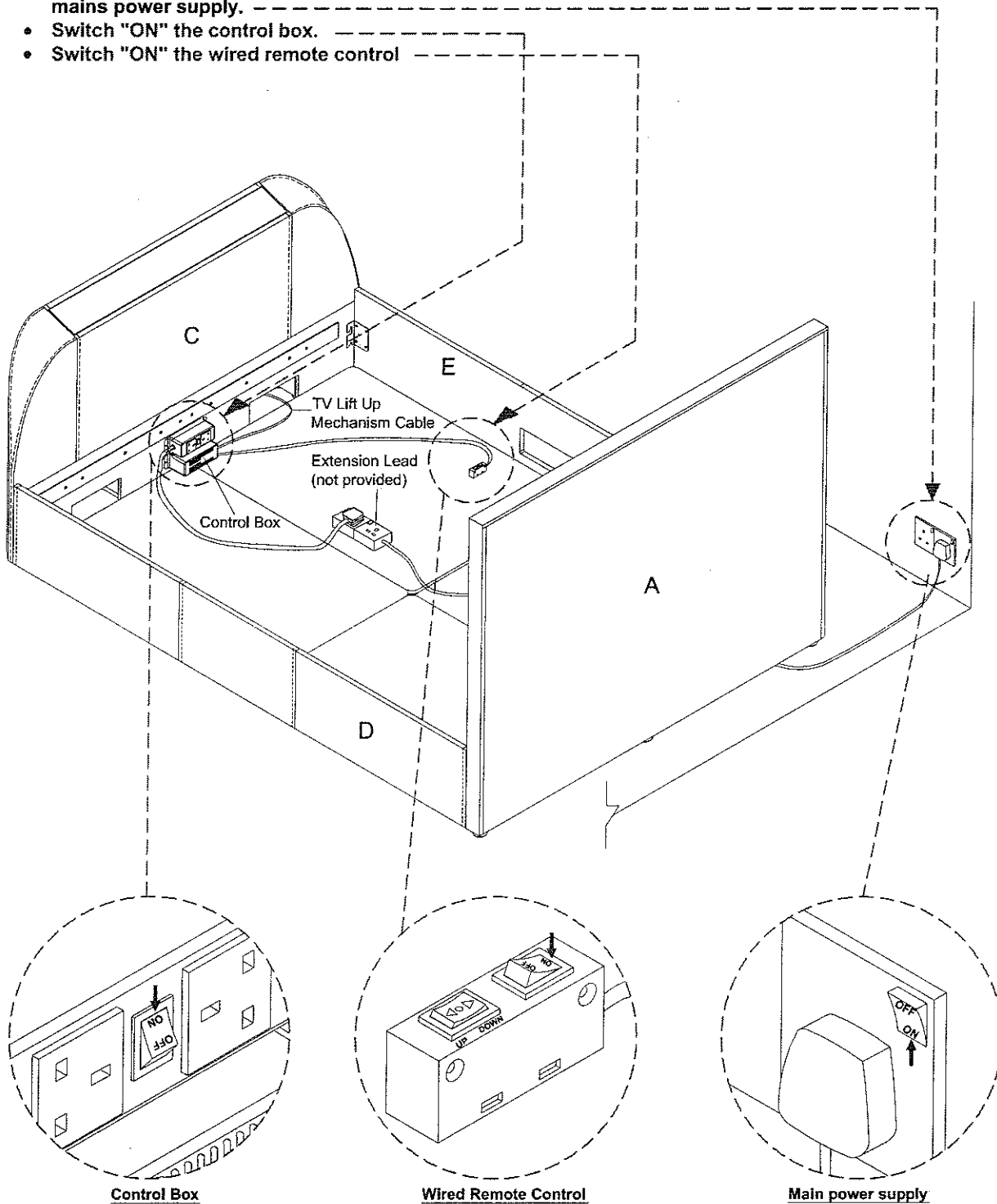
Step 7

- Attach 3 sets bottom base panel part 'B' to the bed as shown.
- The last piece bottom base panel part 'B' put after installation of the TV wire/ cables (see page 20).



Step 8

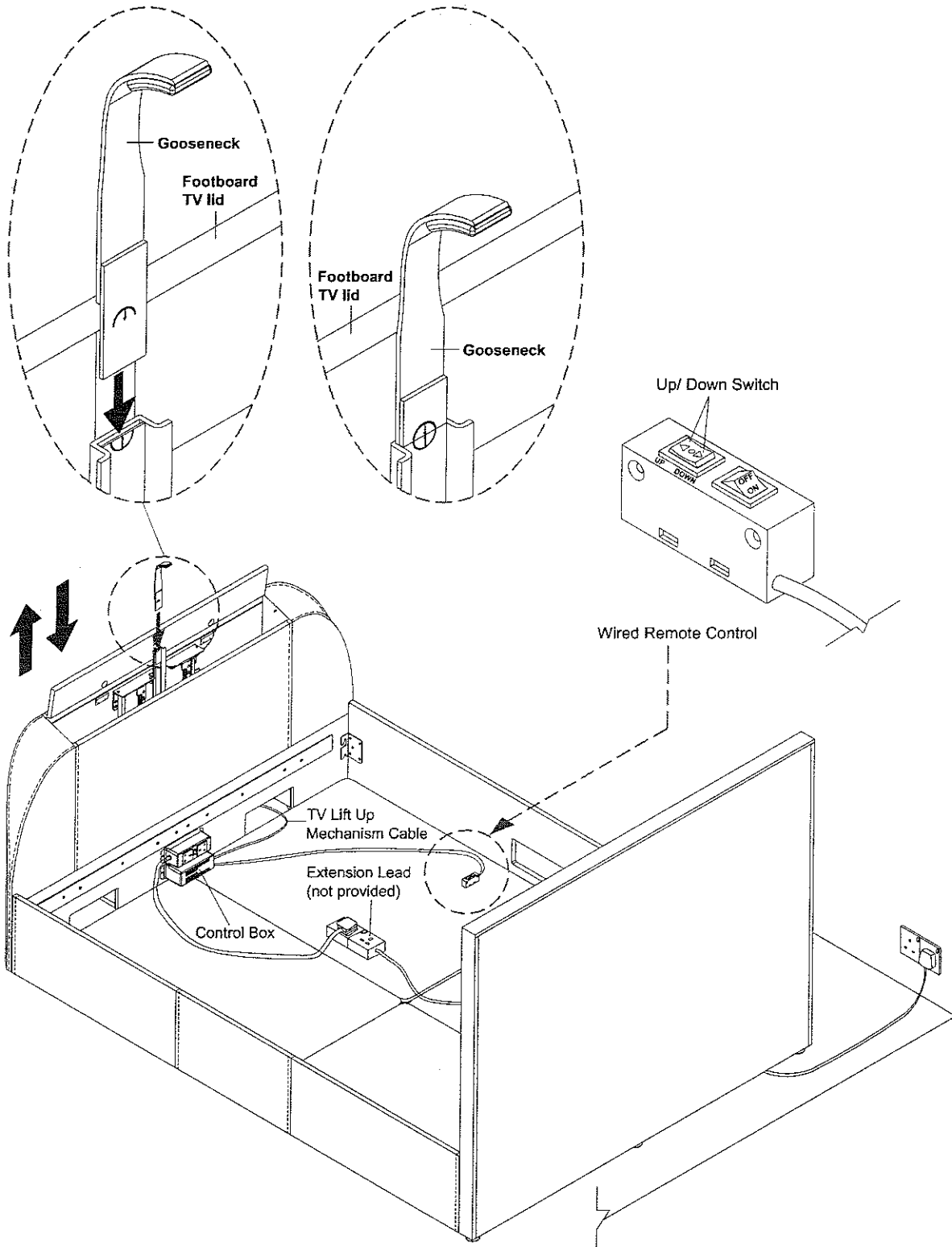
- Remove the cable tie from the control box power supply plug.
- Connect this plug to your mains supply (you may require an extension lead for this. Switch on the mains power supply.
- Switch "ON" the control box.
- Switch "ON" the wired remote control



* Please ensure everything is switched "ON".

Step 9

- Press the "UP" switch on the wired remote control, which will then lift up the TV mechanism until the footboard TV lid open far enough to slot the gooseneck into position shown below. Ensuring its all the way in and the arrows meet. (The gooseneck can be found in carton B hardware.)
- Press and hold the Up / Down switch on the wired remote control to test the mechanism.



Step 10

- Adjust the TV tray to suit the height of your TV (without stand). Please follow step below

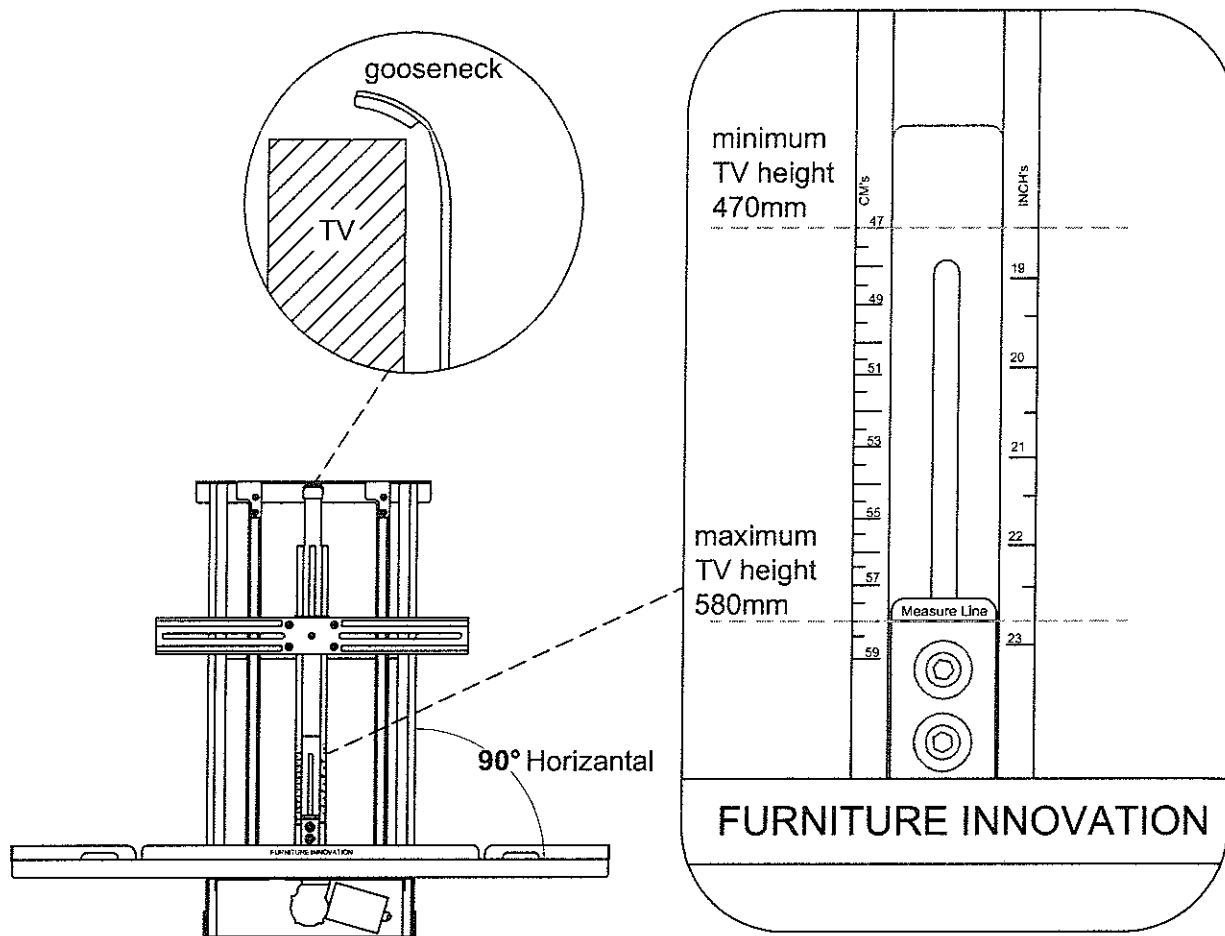
12.1 : Make a noted of the height (without stand!) of your television -

12.2 : Use the Allen key (34) to slightly loosen the bolts. (note: only loosen screws to finger loose, do not remove the bolts on the central mechanism column.

12.3 : Use the Wired remote control to lower the mechanism to a position that will allow you to raise the tray.

12.4 : Using both hands, carefully lift the tray - while using the measure line to match the noted height of your TV.

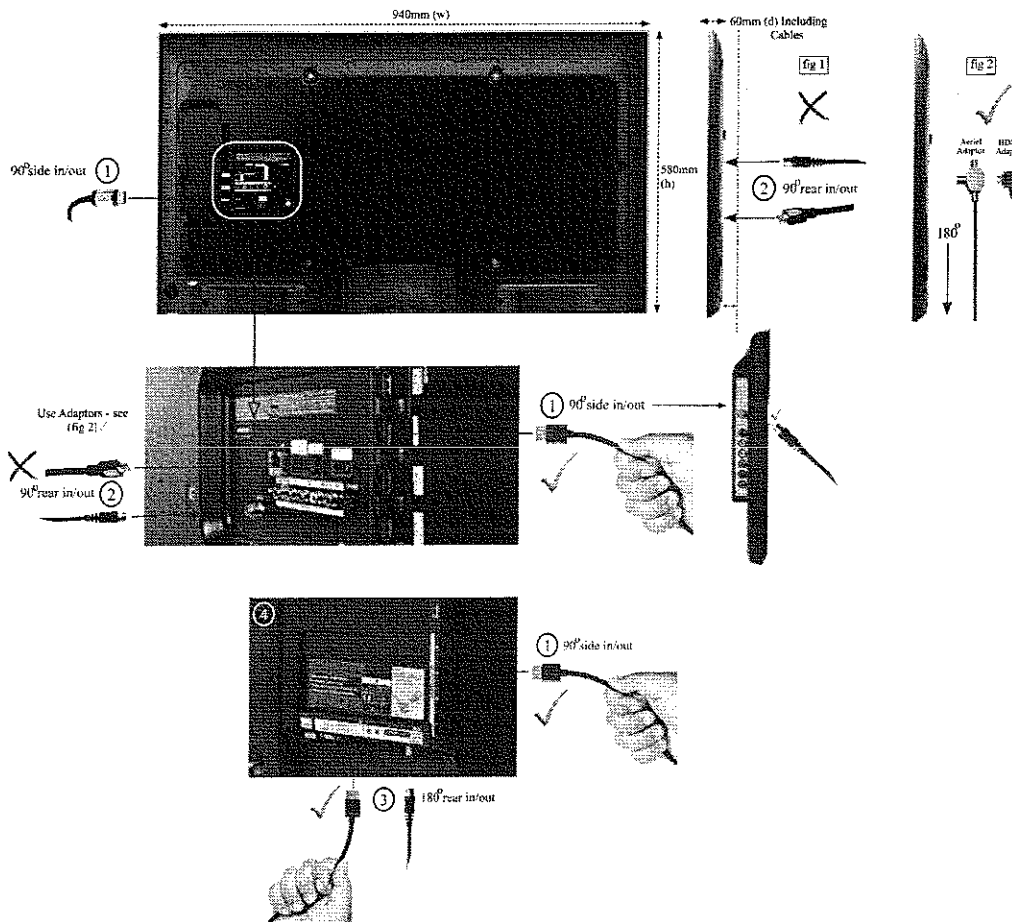
12.5 : When the TV is mounted it should sit neatly just underneath the Gooseneck. When tightening the TV platform make sure to keep the TV platform horizontal.



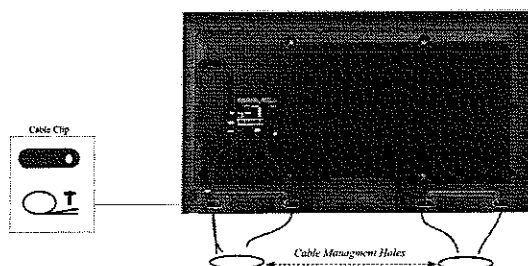
Step 11

- You are now ready to install the TV. At this point it is important to take careful note of the TV compatibility guidelines below. First you will need to ensure your TV is no wider than 950mm, no taller than 580mm and no deeper (thickness at its deepest point) than 55mm. Please note in the event you do not have a tape measure Your TV manual usually notes its TV dimensions(without stand).
- Below are four typical examples of most cable connection direction scenarios on Slimline LED TV's
 - 90° angled 'side' (cable in/out) connections (Preferable)
 - 90° angled 'rear' (cable in/out) connections (Less Preferable - Use Adaptors)
 - 180° angled 'rear' (cable in/out) connections (Preferable)
 - A mix of 1 & 3 (Best Case Scenarios)

Please note: The below examples show HDMI cables and TV signal aerial cables. these cables are typical cables that connect to the rear of a TV, however alternative connection cables may also apply. If in doubt please consult a professional TV instillation company.



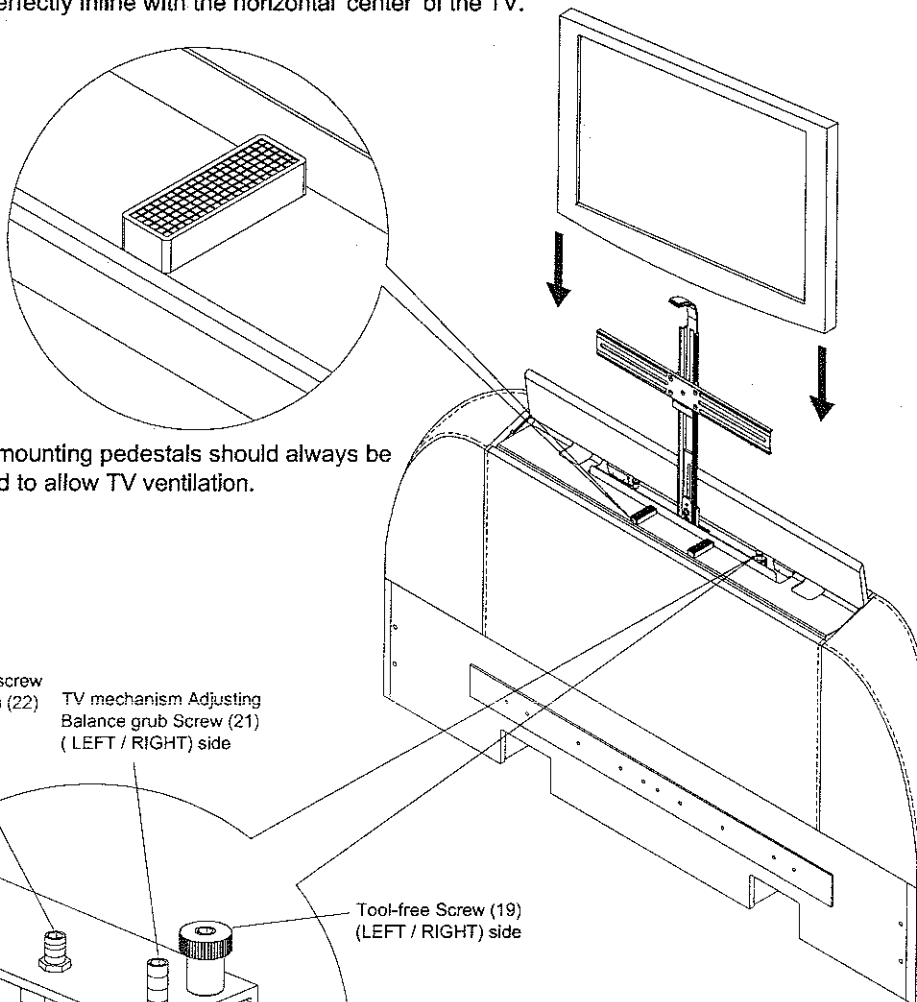
In the event the televisions cable in/out direction facility relates to Example No 2: 90° angled 'rear' (cable in/out) connections (*Less Preferable*) and you are using a HDMI cable & or TV signal aerial - Please use the provided HDMI cable 90° out adaptor and/or the TV signal aerial T Bar connector - these adaptors are designed to reduce the extended cable distance between the rear of the TV and the TV lift mechanism thus allowing the TV to raise and lower, while avoiding cable collision within the bed footboard!



Please note: The manufacturer/supplier cannot take responsibility for any issues that relate a TV not working in conjunction with the TV lift mechanism. please take careful note of the TV installation restrictions, while ensuring all related cables are secure and free from interference within the footboard. please use the provided cable ties and clips to secure cables, where applicable. See example as a reference guideline. If in doubt please consult a professional TV instillation company.

Step 12

- TV installation.
 - 14.1 : Raise the mechanism to it's highest position.
 - 14.2 : While standing behind your television (on the outside end of the footboard).
 - 14.3 : Carefully place the TV on top of the two rubber TV mounting pedestals - ensuring the Gooseneck arm is perfectly in line with the horizontal 'center' of the TV.



TV mounting pedestals should always be fitted to allow TV ventilation.

TV lift height adjuster screw
(FACTORY SETTING) (22)

TV mechanism Adjusting
Balance grub Screw (21)
(LEFT / RIGHT) side

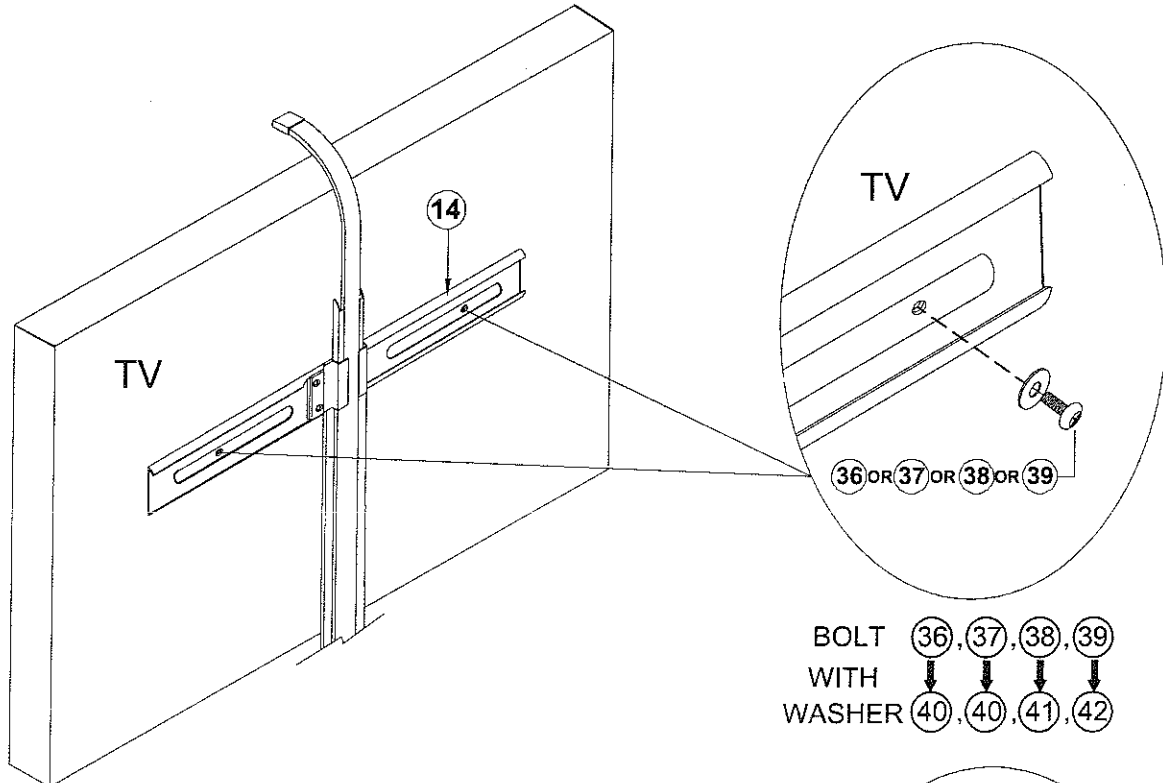
Tool-free Screw (19)
(LEFT / RIGHT) side

- IF THE TV OR MECHANISM IS TILTING TO THE LEFT OR RIGHT WHILST YOU FACE THE TV, FOLLOW THE STEPS BELOW TO RECTIFY THE TILT.
 - 1: Loosen (LEFT / RIGHT) side Tool-free screw (19) a few turns. Do not remove.
 - 2: Use 3mm Allen key (35) tighten the shelf adjusting screw (21) tightening this will adjust the mechanism to tilt to the RIGHT or LEFT (TV facing View)
 - 3: When the shelf / TV is level, please re-tighten the Tool-free screw (19) (LEFT / RIGHT) side .

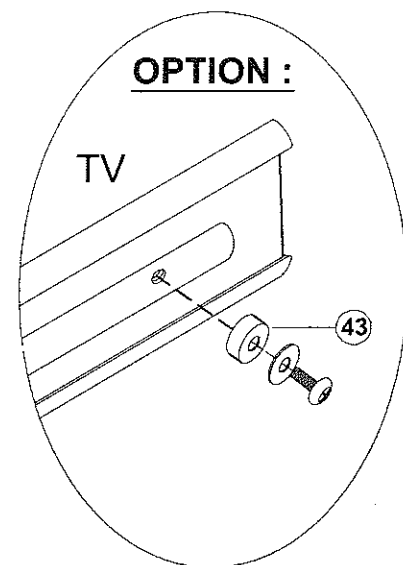
Step 13

- TV Mounting Bracket (vesa bracket).

Please note : Item (36) or (37) or (38) or (39) screws have been supplied to fit most TV models. However sizes may vary depending on the TV model. If smaller or larger size screws are required these should be sourced from your local hardware store or TV specialist. Washers may also be required.

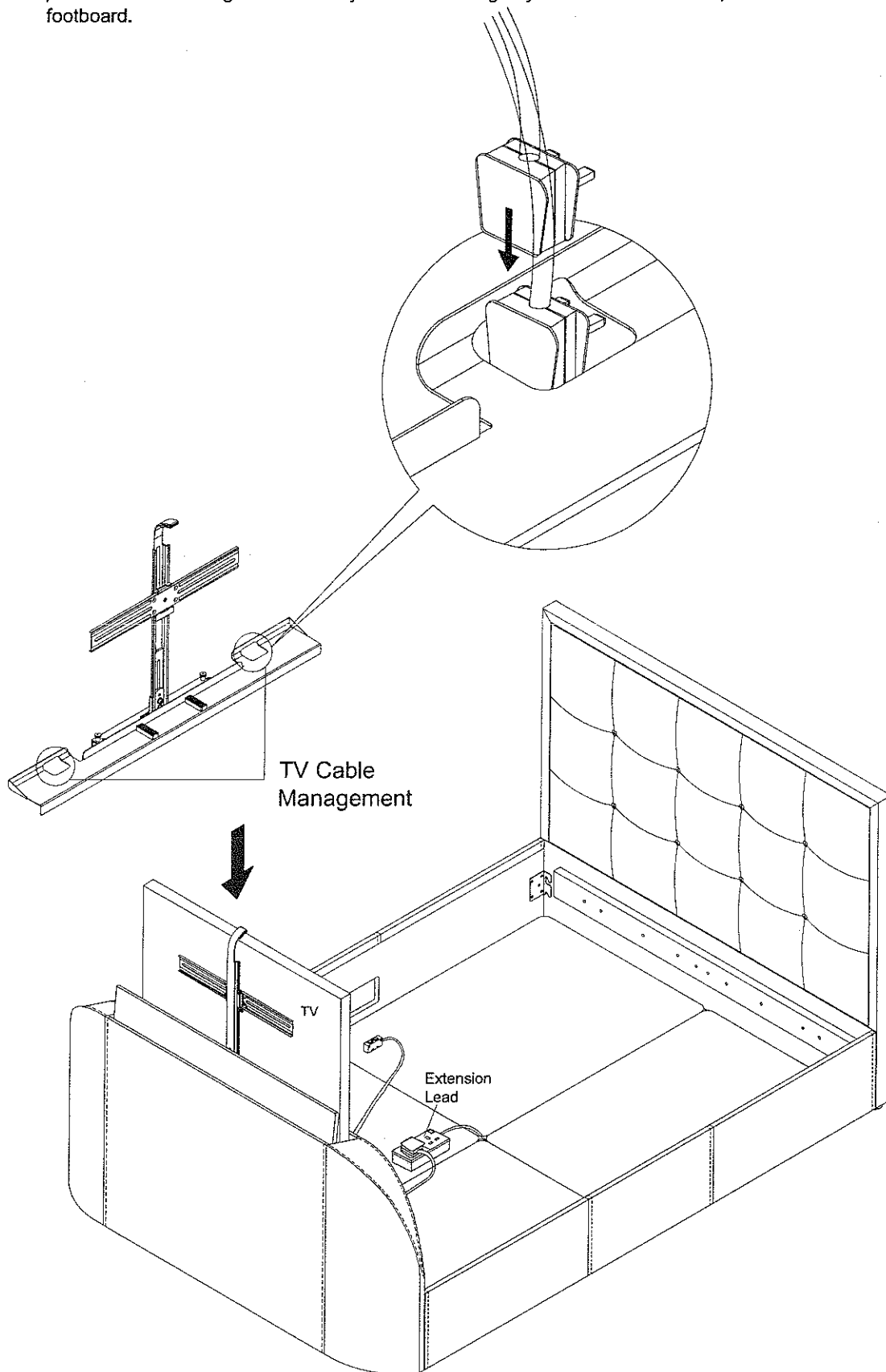


In the event you find the screws are too long for the TV with bracket please use Plastic collar (43) if required.



Step 14

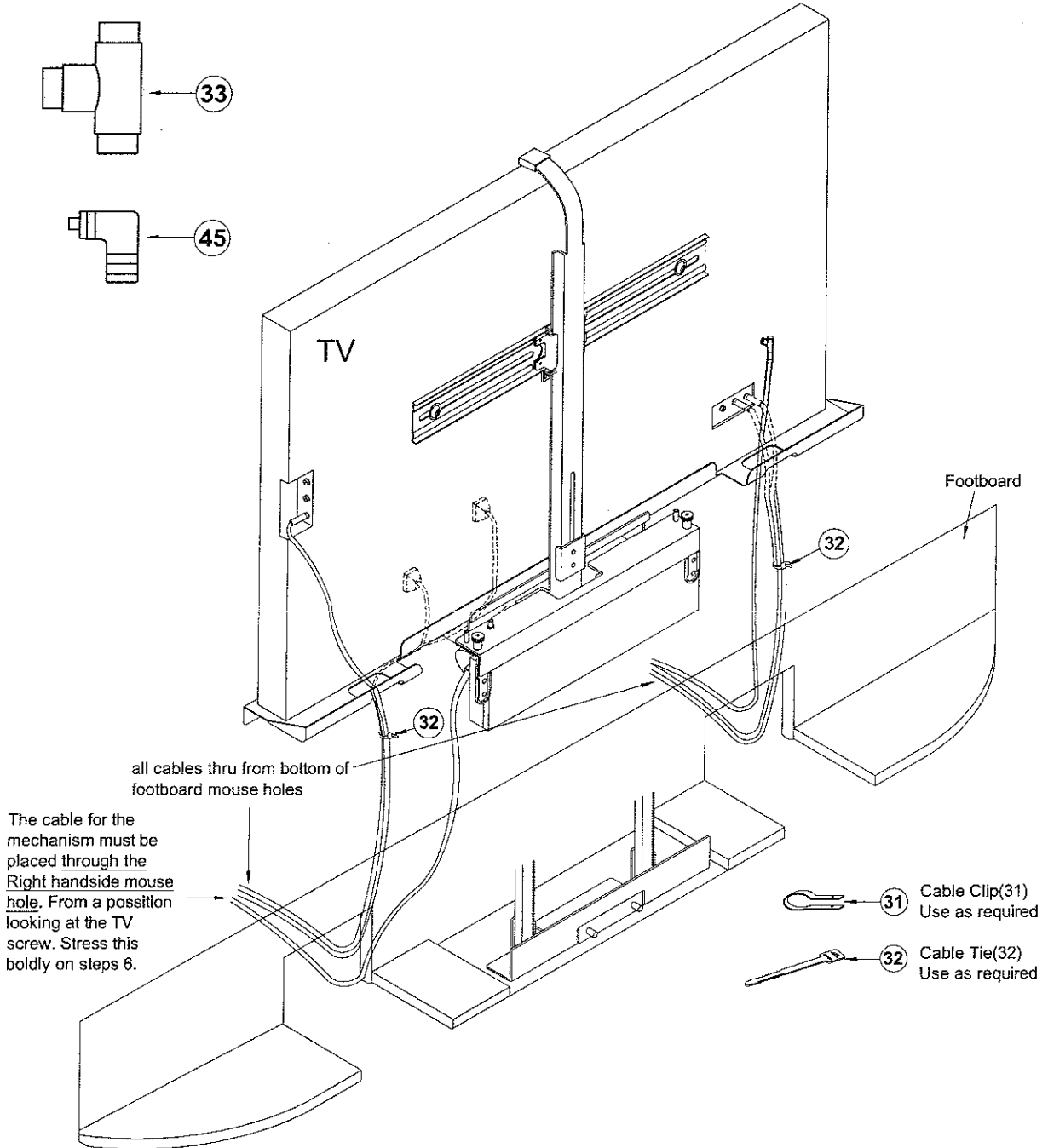
- The cable management holes are to help you to manage the cable and keep them tidy and free from snags pass all cables through them cleanly. While ensuring any cable slack is taken up from the bottom end of the footboard.



Step 15

- Detail connection plan - 1.

As previously mentioned cables should wherever possible be connected at right angle to the screen either in a sideways or downwards directions. Adapters may be needed to achieve this some of which are supplied (as below) any other requirements can be sourced from your local TV specialist.



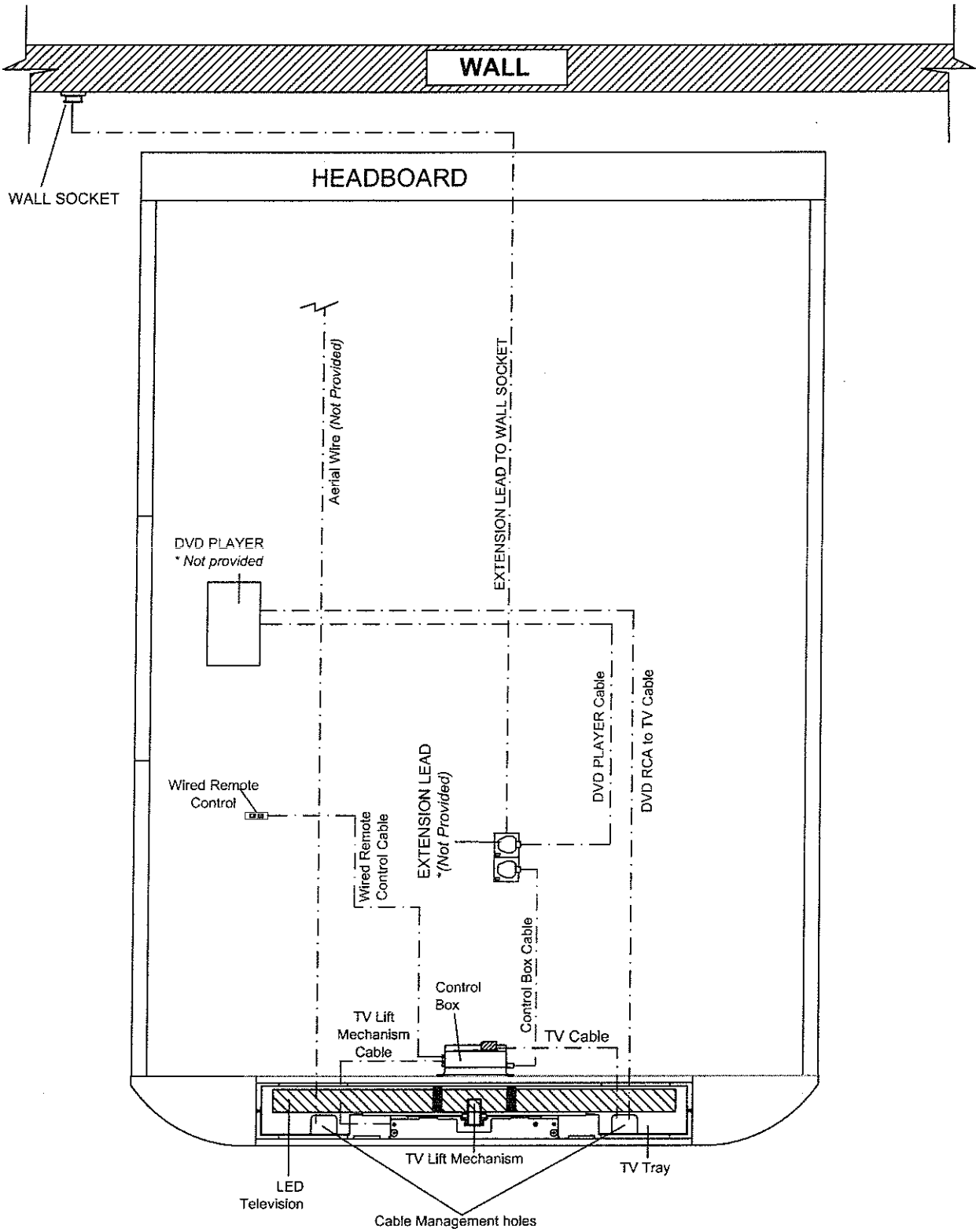
Place all cables through the 'Cable Management' holes to prevent any damage to the cable when the TV Lift Mechanism is operating. Make sure all your the cables are long enough to let the TV Lift Mechanism move freely.

Group the cables together as required below the TV Tray using cable clip (31) or cable tie(32) provided.

NOTE: The cables port for television ,DVD, TV aerial etc may not be the same as shown above and vary depending on TV model.

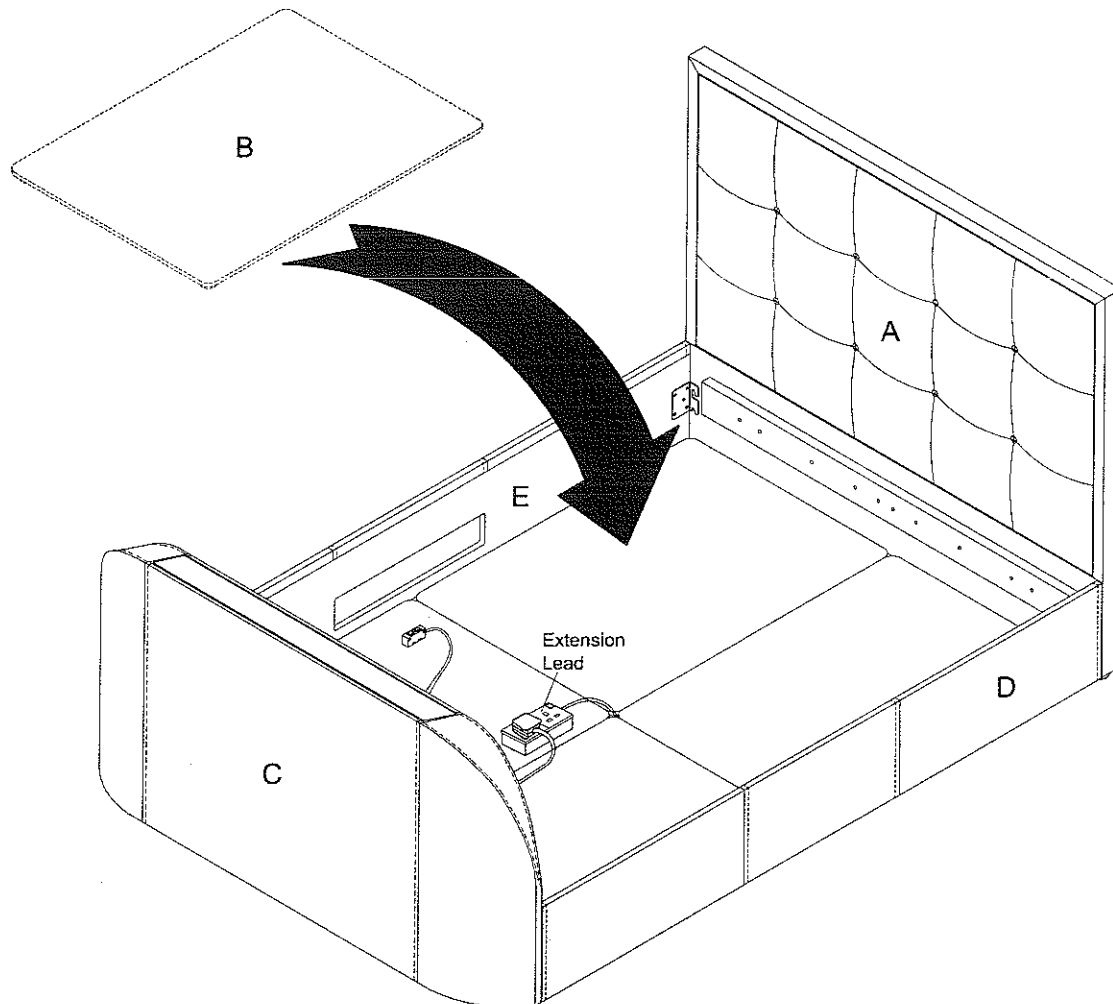
Step 16

- Detail connection plan - 2.



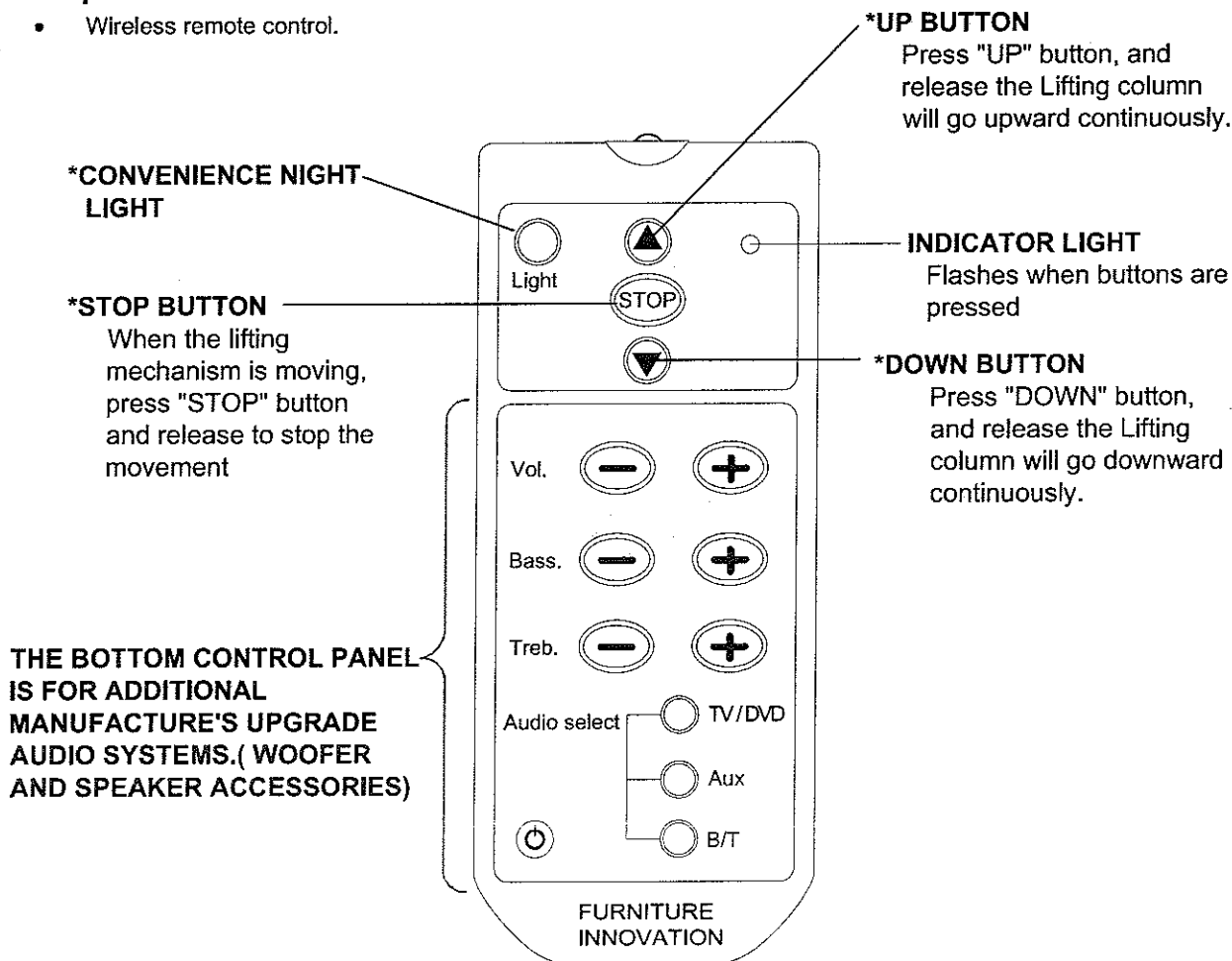
Step 18

- Now ready to put the final base panel part 'B' to the bed as shown.



Step 19

- Wireless remote control.



CHILD-LOCK SAFETY FEATURE:

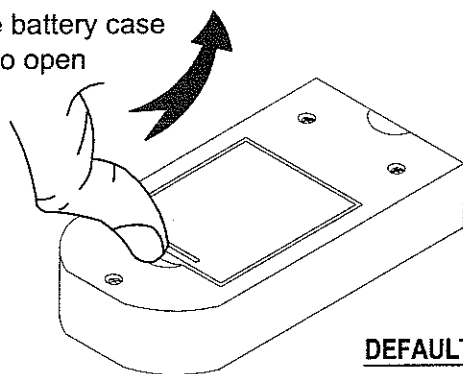
To avoid unattended children from operating the lift system the Lift can be locked by holding STOP BUTTON on Remote Control for at least 6 seconds, When the lift is locked, it will stop working and the Remote Control cannot operate also. To unlock the lift, press Stop button on Remote Control for at least 6 seconds. (OR Turn off power for 6 seconds.)

Battery:

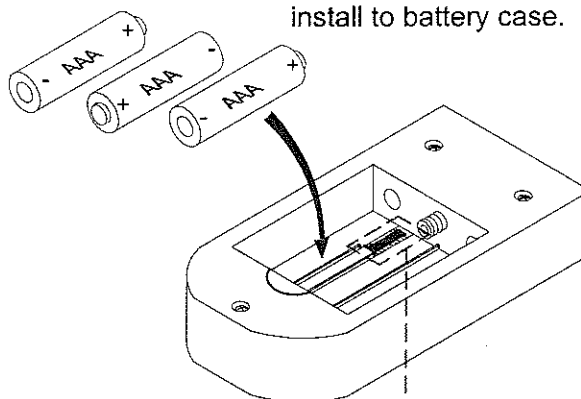
Size: AAA - Ø10.5 X T44.5mm

Spec.: 1.5V

Pull out the battery case from here to open

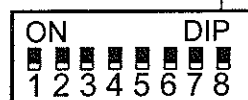


(AAA) Battery x 3pcs (provided) install to battery case.



DEFAULT SETTING →

ALL SWITCHES IN DOWN POSITION
1 2 3 4 5 6 7 8



CODE BOX- READ THE IMPORTANT NOTE ON NEXT PAGE.

Step 20

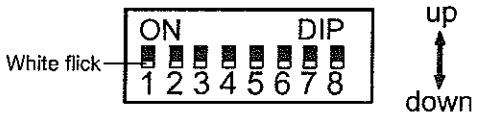
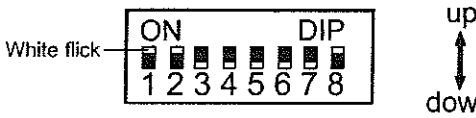
- Wireless remote control notification.

ATTENTION - WIRELESS REMOTE NOTIFICATION (IMPORTANT!!)

This Wireless 'Radio Frequency' Remote control is designed to operate your TV lift Mechanism straight out of the box.

However, in the event the remote is also communicating with other TV Beds in close proximity, which work on the same remote system or if there is interference from other radio frequency devices, please remove the battery case and switch over at least one of the white flick switches on the 'CODE BOX' to the ON / DIP position. Then follow the synchronization process shown below for your remote to work only with the bed it is intended for.

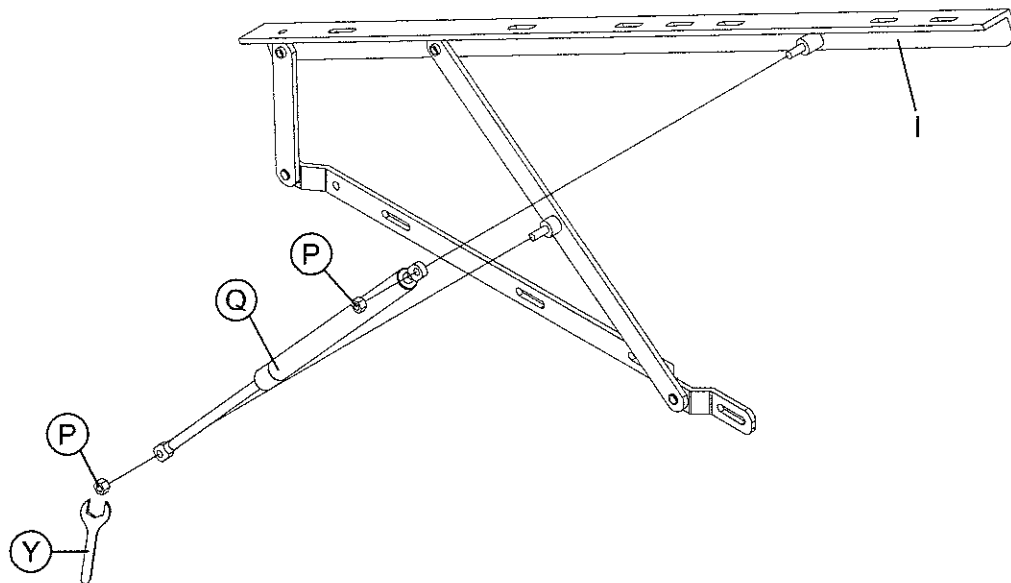
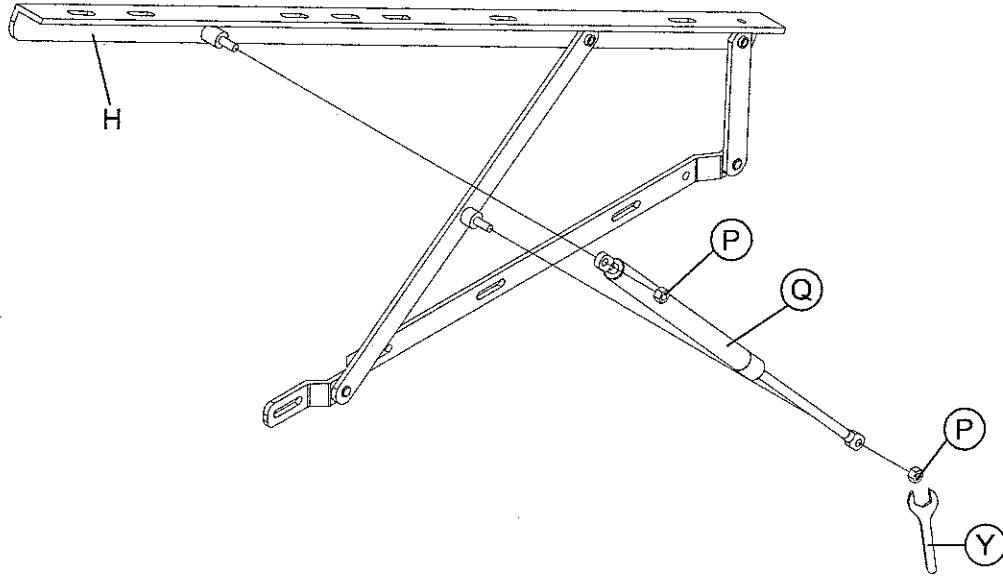
CODE BOX SETTING

DEFAULT SETTING	SYNCHRONIZED SETTING
	
<p>ALL SWITCHES DOWN / OFF - IS THE STANDARD FACTORY SETTING THAT WILL OPERATE ALL INNOVATION FURNITURE TV BEDS, WITHOUT THE NEED TO SYNCHRONIZE.</p>	<p>SWITCH TO THE ON / DIP POSITION AT LEAST ONE OF THE WHITE FLICK SWITCHES TO ALLOW FREQUENCY SYNCHRONIZATION.</p> <p>Ensure the 'Wired Remote Control' is powered "OFF". before powering back on, press and hold either the "UP" or "DOWN" switch on your wireless remote. then while continuing to press this switch "DOWN" power on the wired remote control while keeping the remote control switch compressed for at least 6 seconds.</p> <p>YOUTUBE -SYNCHRONIZE VIDEO LINK http:// www.youtube.com/watch?v=Zqv3107YjG8</p>

In the event you are experiencing any technical difficulties and you require additional assistance/support with you TV Beds ' Mechanical/Electrical' functions - Please visit <http://furnitureinnovation.freshdesk.com>

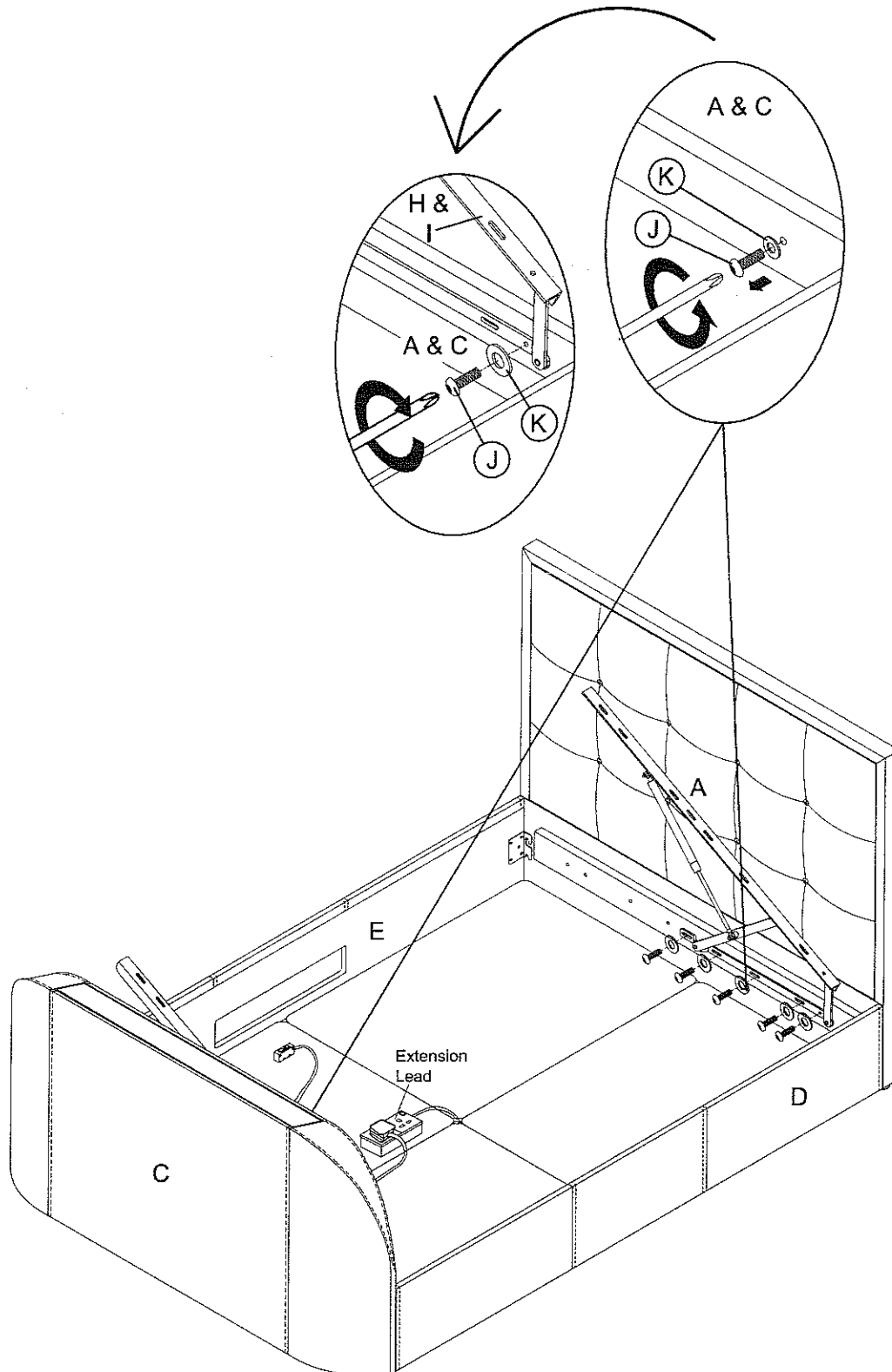
Step 21

- Attach the gas springs 'Q' to the lift up mechanism with nut 'P' using spanner 'Y' as shown.



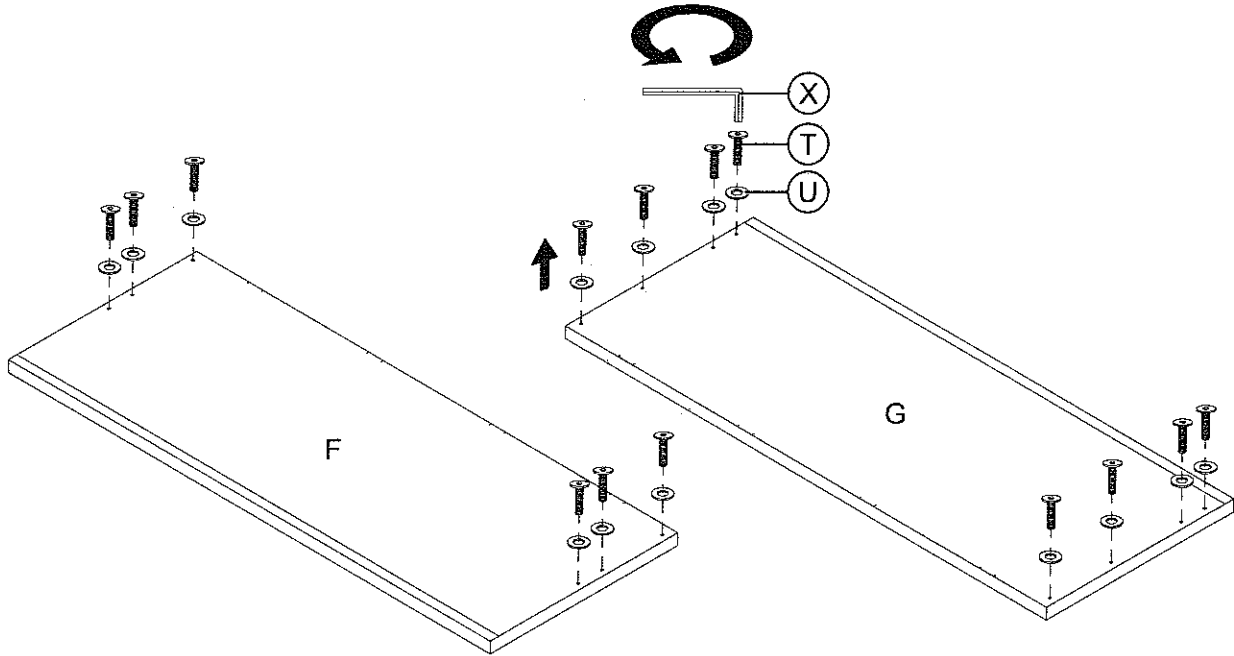
Step 22

- Before assembly please make sure the opening side is face on Compartment "E" side rail.
- Remove the bolts and flat washers located in the head end and foot end.
- Attach the lift up mechanism to the head end and foot end with flat washers and bolts using screw driver provided.
- Repeat the action on the another side.



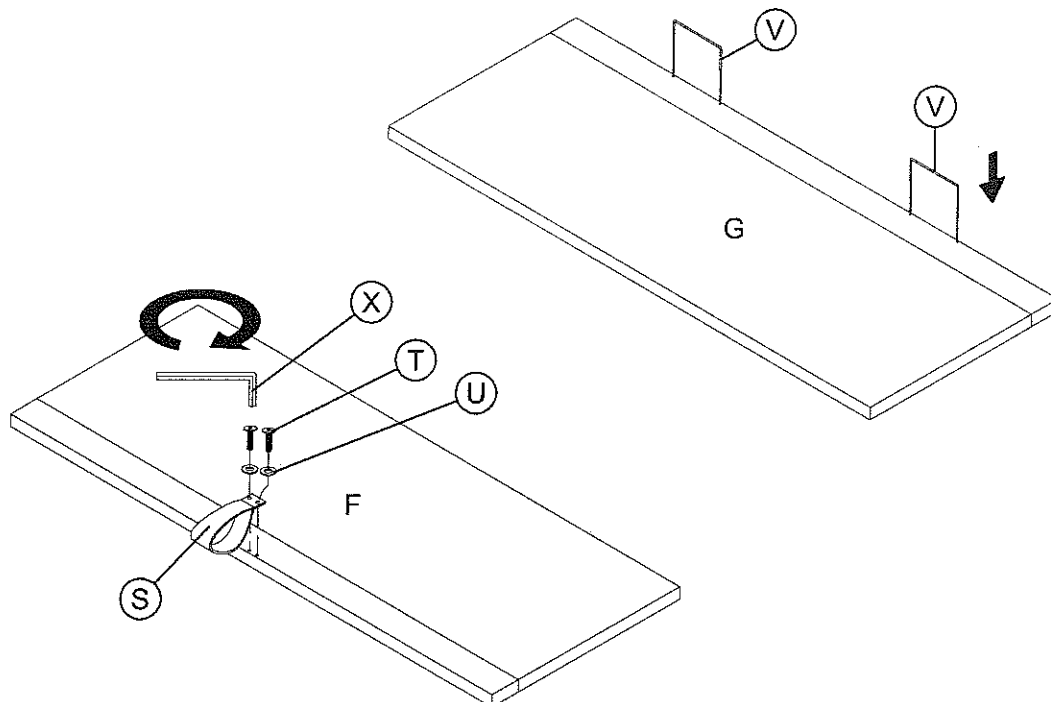
Step 23

- Remove the bolts and flat washers located in the front lift base 'F' and rear lift base 'G' as shown.



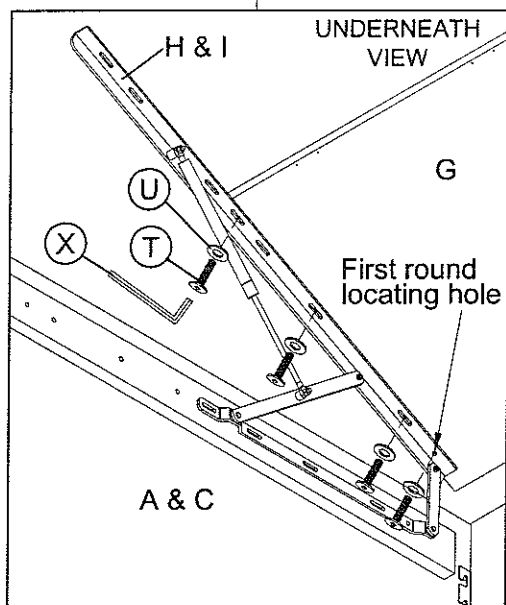
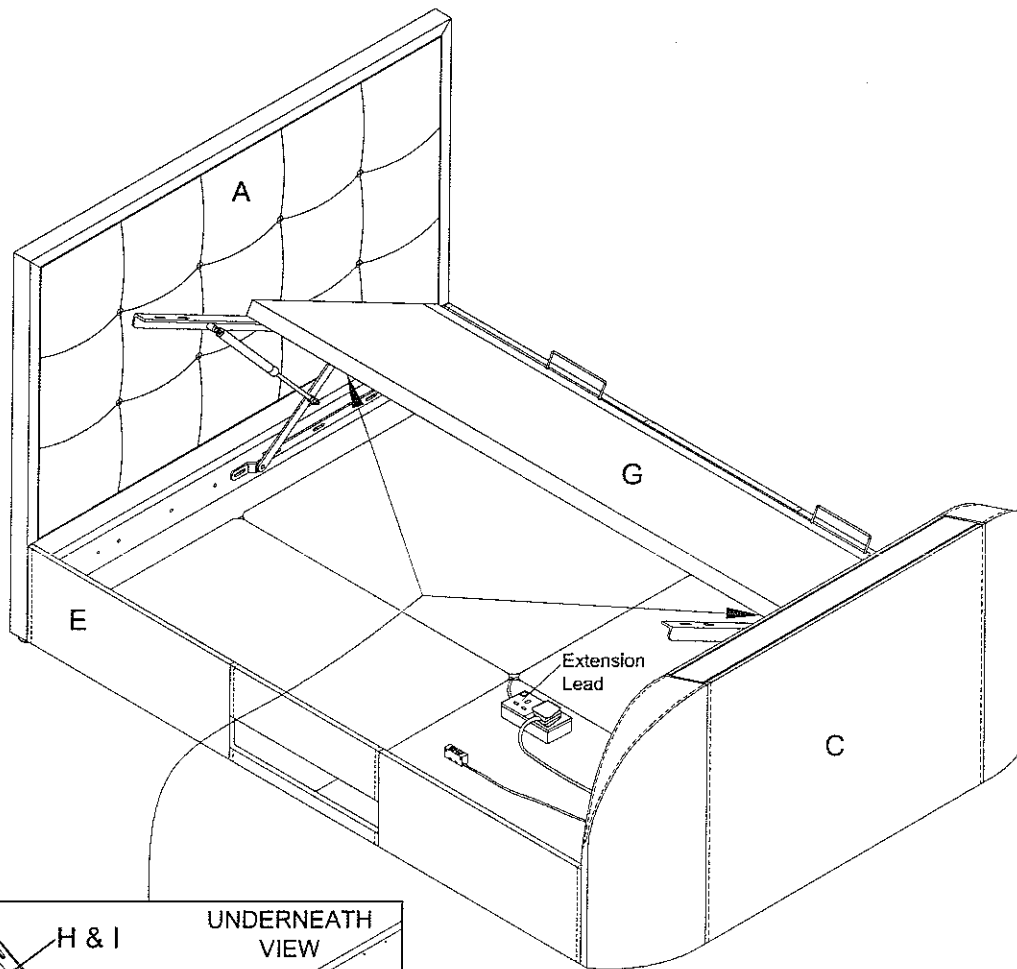
Step 24

- Attach the strap handle 'S' to the front lift base 'F' with flat washers 'U' and bolts 'T' using Allen key 'X' provided.
- Attach the mattress support rail 'V' to the rear lift base 'G' as shown.



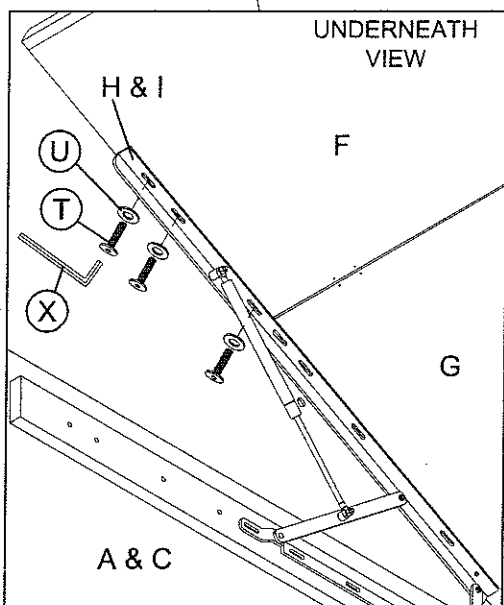
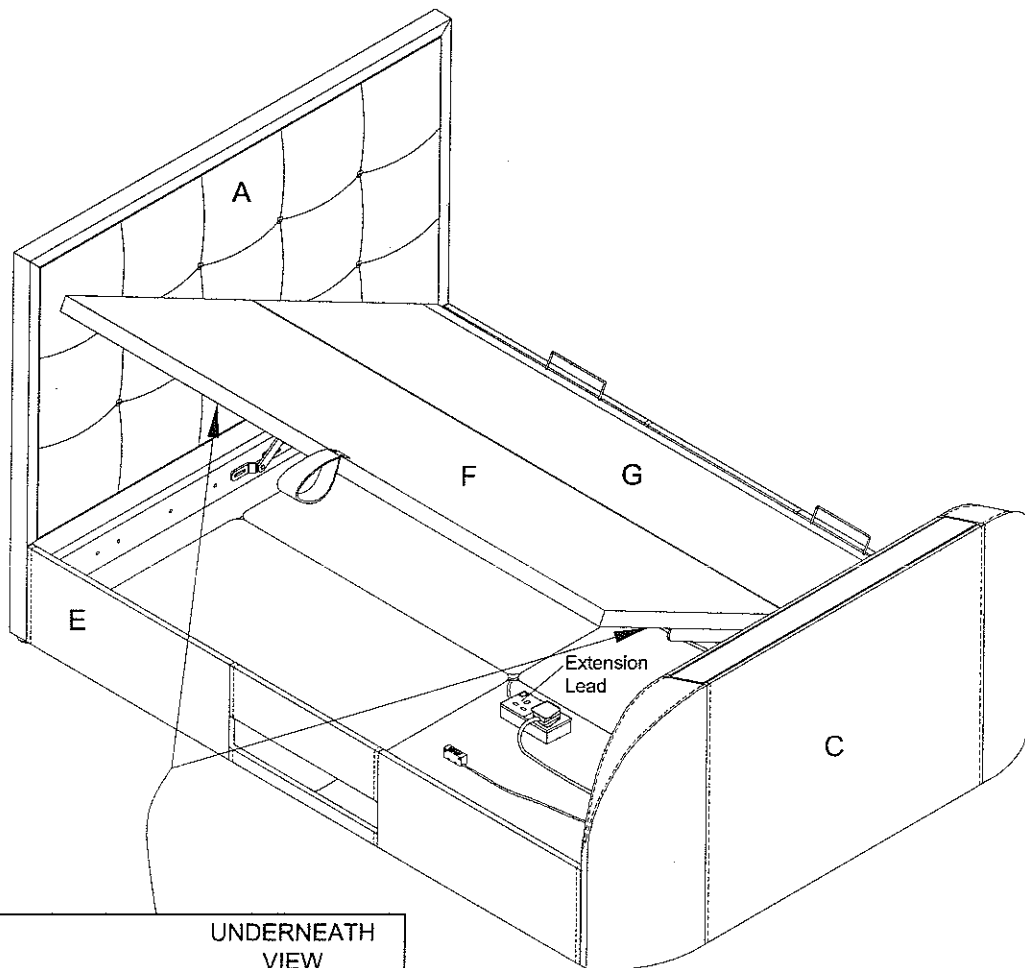
Step 25

- First put the rear lift base 'G' on the top of lift up mechanism 'H' and 'I' then use the bolts and flat washers has removed on step 23 to screw the first hole loosely for safety and to prevent the lift base from dropping down.
- Use the removed bolts and flat washers on step 23 to fix the rear lift base 'G' with lift up mechanism 'H' and 'I' as shown.
- Use Allen key 'X' fully tighten all the bolts as shown.



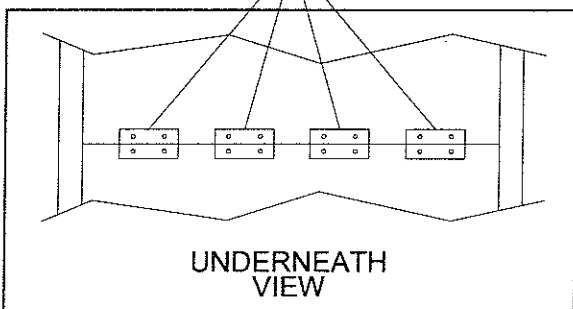
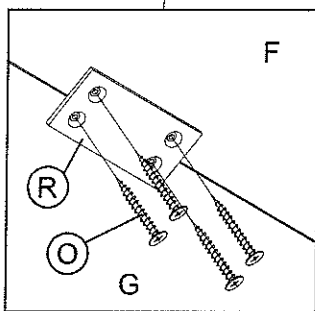
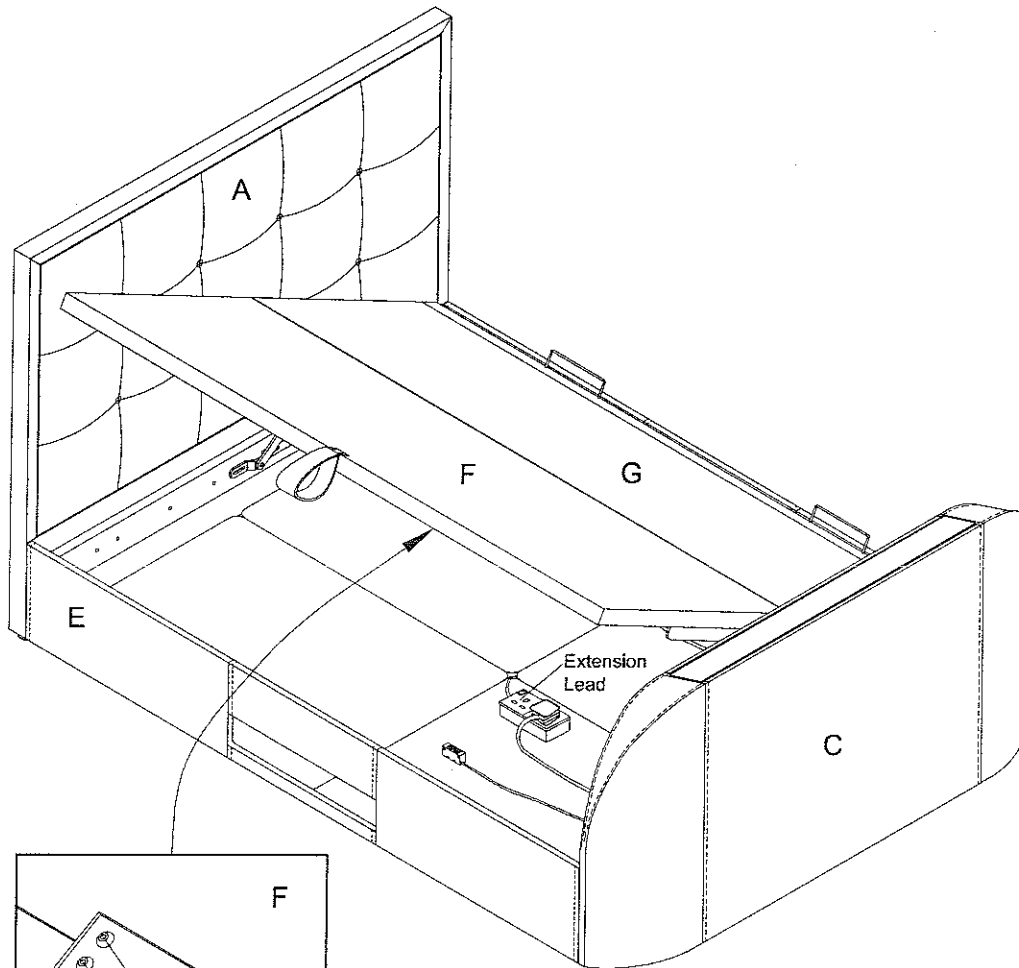
Step 26

- Put the front lift base 'F' on the top of lift up mechanism 'H' and 'I' then use the bolts and flat washers has removed on step 23 to fix the front lift base 'F' with lift up mechanism 'H' and 'I' as shown.
- Use Allen key 'X' fully tighten all the bolts as shown.



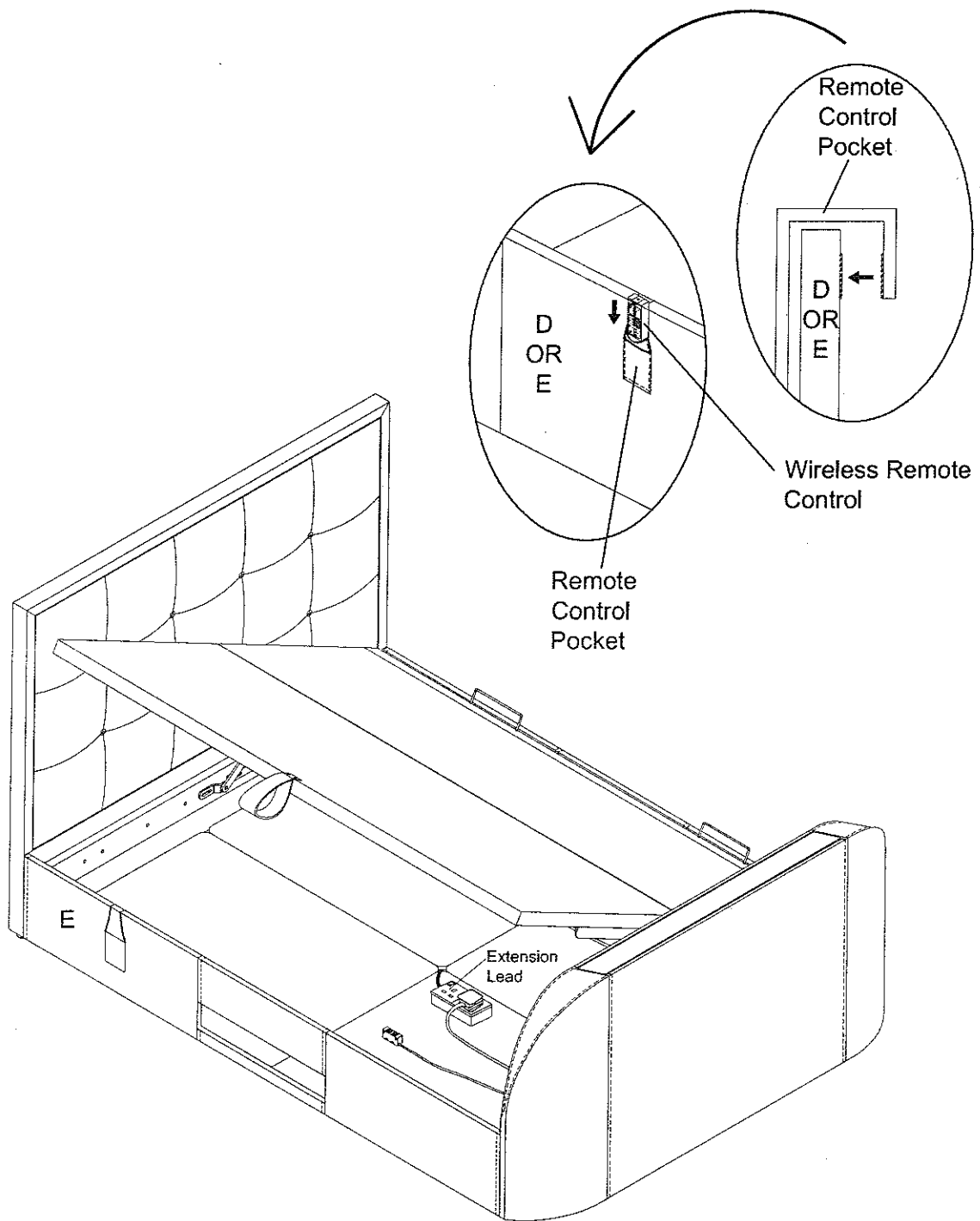
Step 27

- Attach the metal plate 'R' to the underneath of middle lift base 'F' and 'G', fix with screw 'O' using screw driver 'W' provided as shown.



Step 28

- Attach the Remote Control Pocket to the left or right sides of the side rail as preferred.

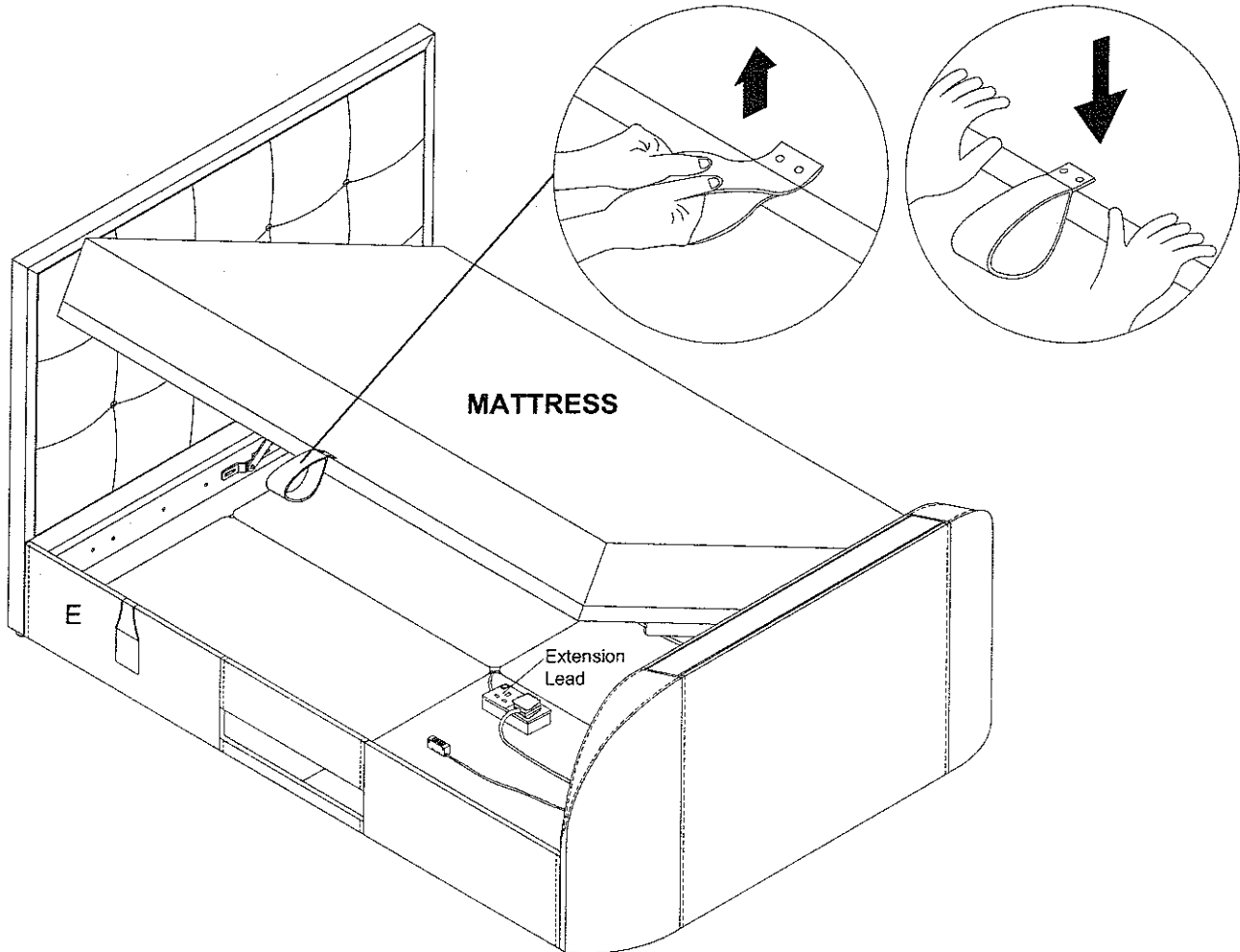


ATTENTION! PLEASE NOTE:

In the event you are experiencing any technical difficulties and you require additional assistance/ support with your product 'Mechanical/ Electrical' function - Please visit <http://furnitureinnovation.freshdesk.com>

Step 29

- Make sure the bed all side is square before you closing the lift base.
- The mattress must be fitted to the base.
- Do not operate the lift up mechanism without the mattress fitted to the base.



- A. This Lift Mechanism provide assistance with the lift of the mattress fitted to the base - it does not lift the mattress for you. The system has been designed to effectively lift the base system fitted with a variety of mattress weights and combinations of depth. Depending on the combination of mattress weight and depth determines the degree of assistance provided by the mechanism.
- B. Following installation of the mechanism lift / pull the base up and down a few times to free off the system - the gas cylinders fitted to the system may be stiff when first used or if the system has not been operated for a period of time .The mattress must be fitted to the base.
- C. Use the strap handle to lift up the mattress base using two hands - Pull the mattress base down using two hands equally spaced from the centre of the mattress base. **DO NOT** pull down on one side of the base only as this is likely to damage the base system with potential failure of the mattress base system and lift mechanism. **Do not operate the lift up mechanism without the mattress fitted to the base.**

CAUTION :

Do not allow children to operate the lift Mechanism.
Do not allow children near the lift base when operating the Mechanism.
Do not allow children in the area of the internal storage base.
Keep hands clear of the mechanism when operating the base system.
Do not stand inside the bed / on the internal storage base.
Do not overload the internal storage base.
Maintain the storage base panel supports in the centre position below each storage base.

TROUBLE SHOOTING

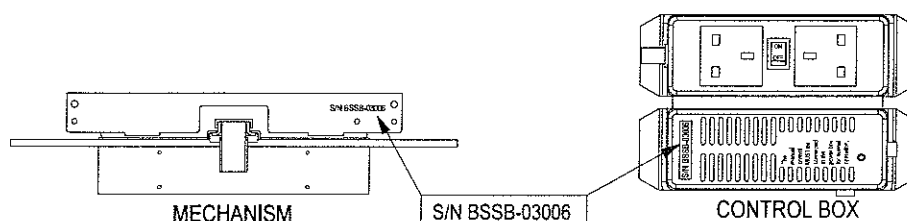
Sympton	Suggested Action
<p>Tv lift mechanism 'will not respond' to the 'wired' remote control that is attached to the TV lift control box underneath the mattress.</p>	<ol style="list-style-type: none"> 1.Ensure the TV lift control box is receiving 'mains power' (external wall socket power plug-point) test an alternative 'working' electronic device if unsure. 2.Ensure the wired remote is plugged firmly and securely into the TV lift control box. 3.Ensure the control box LED power light is on. 4.Ensure the TV lift power cable is plugged firmly and securely into the TV lift control box. <p>In the event all the above have been checked and confirmed in position but the TV lift remains unresponsive - please contact your product supplier directly for further assistance.</p>
<p>TV lift mechanism 'works' with the 'wired' remote control. The 'wireless' remote control will not operate the TV lift mechanism.</p>	<ol style="list-style-type: none"> 1.Ensure there are three working AAA batteries in the remote control and the top right hand corner LED lights up blue when pressing any button on the control panel (if the batteries are working but the LED light is 'not' responding - please contact your product supplier directly for further assistance). 2.Switch the wired remote control OFF and ON again. 3.Ensure white dip selector switches inside the remote control battery case are all switched in down position 1 2 3 4 5 6 7 8 - default setting. (Refer to Assembly Instruction -Remote Control Detail) 4.Try to synchronize the remote control with the control box by: <ul style="list-style-type: none"> ✓ Switch off the TV lift control box via the 'wired' remote. ✓ Wait for 30 seconds. ✓ Press and hold any of the buttons on the 'wireless' remote control. ✓ While keeping the button pressed on the remote, quickly switch the 'wired' remote on and wait for 6 seconds. ✓ Release the 'wireless' remote button and test again. <p>In the event the TV lift remains unresponsive - please contact your product supplier directly for further assistance.</p>

SPECIFICATION

FEATURE		<ol style="list-style-type: none"> 1. Wireless Remote Control 2. Wired Remote Control
VOLTAGE	US EU	120V/60Hz 100V/60Hz 240V/50Hz 220V/50Hz
MAXIMUM LOADING		80lbs
CONSUMPTION POWER		100Watts
UPWARD SPEED		1"/1.5Sec.
BATTERY (WIRELESS REMOTE CONTROL)		Size: AAA - Ø10.5 X T44.5mm Spec.: 1.5V

SPECIAL NOTE:

THE PRODUCT SERIAL NUMBER CAN BE LOCATED ON THE TOP OF MECHANISM AND CONTROL BOX AND SHOULD BE QUOTED WHEN ORDERING / REQUIRING SPARE PARTS OR SERVICE ASSISTANCE.



TV LIFT MECHANISM-PARTS LIST

NO. DESCRIPTION

1. Control Box
2. Manual ON/OFF Switch
3. Power Outlet
4. 4 Wire plastic connector(female)
5. 8 Wire plastic connector(female)
6. Upgradeable wire remote socket
7. Wired remote control
8. ON/OFF switch
9. UP/DOWN switch
10. 4 Wire plastic connector(male)
11. Wireless Remote Control
12. Main Assembly
13. Platform
14. TV Flat Bracket (Vesa Bracket)
15. Sliding Bar
16. Gooseneck
17. Upper Hanging Bracket for Assembly x 2pcs
18. Bottom Hanging Bracket for Assembly x 1pc
19. Tool Free Screw x 2pcs
20. M6 Washer x 2pcs
21. Balance grub screw M6 x 15mm x 2pcs
22. Stopper grub screw with Nut M6 x 25mm x 1pc
23. TV block x 2pcs
24. Rubber Pad x 2pcs
25. Screw M4 x 16mm x 4pcs
26. TV Tray
27. Allen Head Screw with washer M6x 20mm x 2pcs
28. Allen Head Screw M6x 20mm x 4pcs
29. Allen Head Screw M8x 16mm x 2pcs
30. Shake proof washer M8 x 16mm x 2pcs
31. Cable Clip 2Pcs - Use to fix wire
32. Cable Ties 2Pcs - for use to fix cable / wire
33. Aerial Connection X 1pc
34. Allen Key M5 1Pc - Use to adjust Main Assembly
35. Allen Key M3 1Pc - Use to adjust Main Assembly
36. Pan Head Screw M4x 16mm x 2pcs
37. Pan Head Screw M5 x 16mm x 2pcs
38. Pan Head Screw M6 x 16mm x 4pcs
39. Pan Head Screw M8 x 16mm x 2pcs
40. M5 Washer x 2pcs
41. M6 Washer x 2pcs
42. M8 Washer x 2pcs
43. Plastic collar x 2pcs
44. Remote Control Pocket x 1pc
45. 90 Degree HDMI Cable adaptor x 1pc

REFER TO LAST PAGE 33
KF3001 SPARE PARTS IDENTIFICATION SHEET,
WHEN ORDER THE SPARE PARTS.

